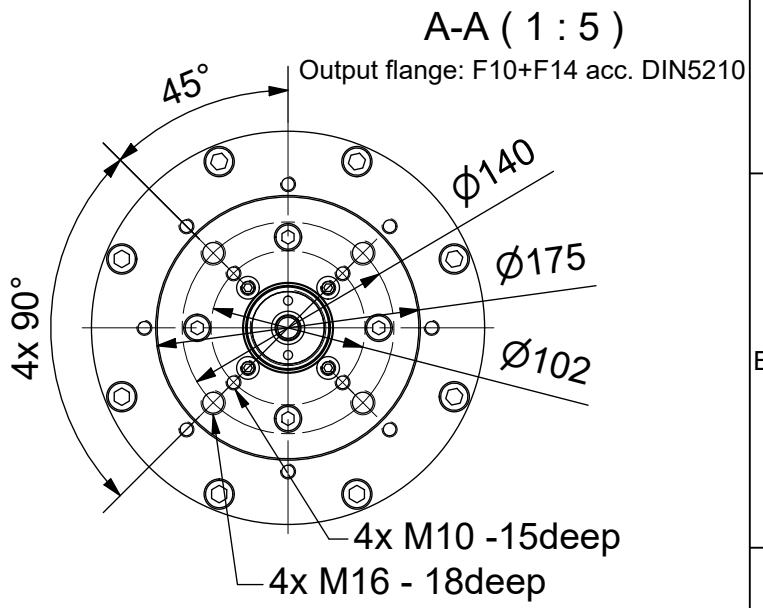
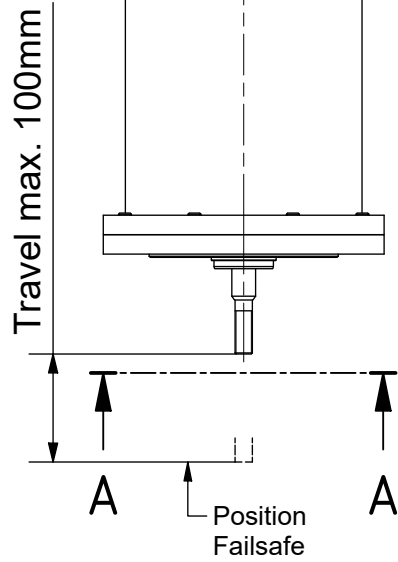
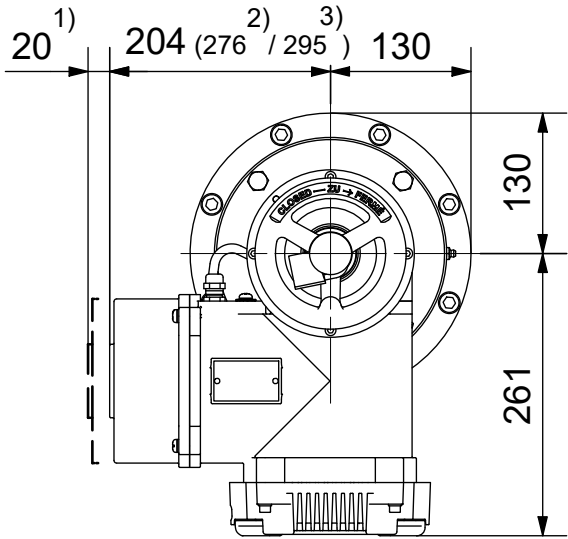
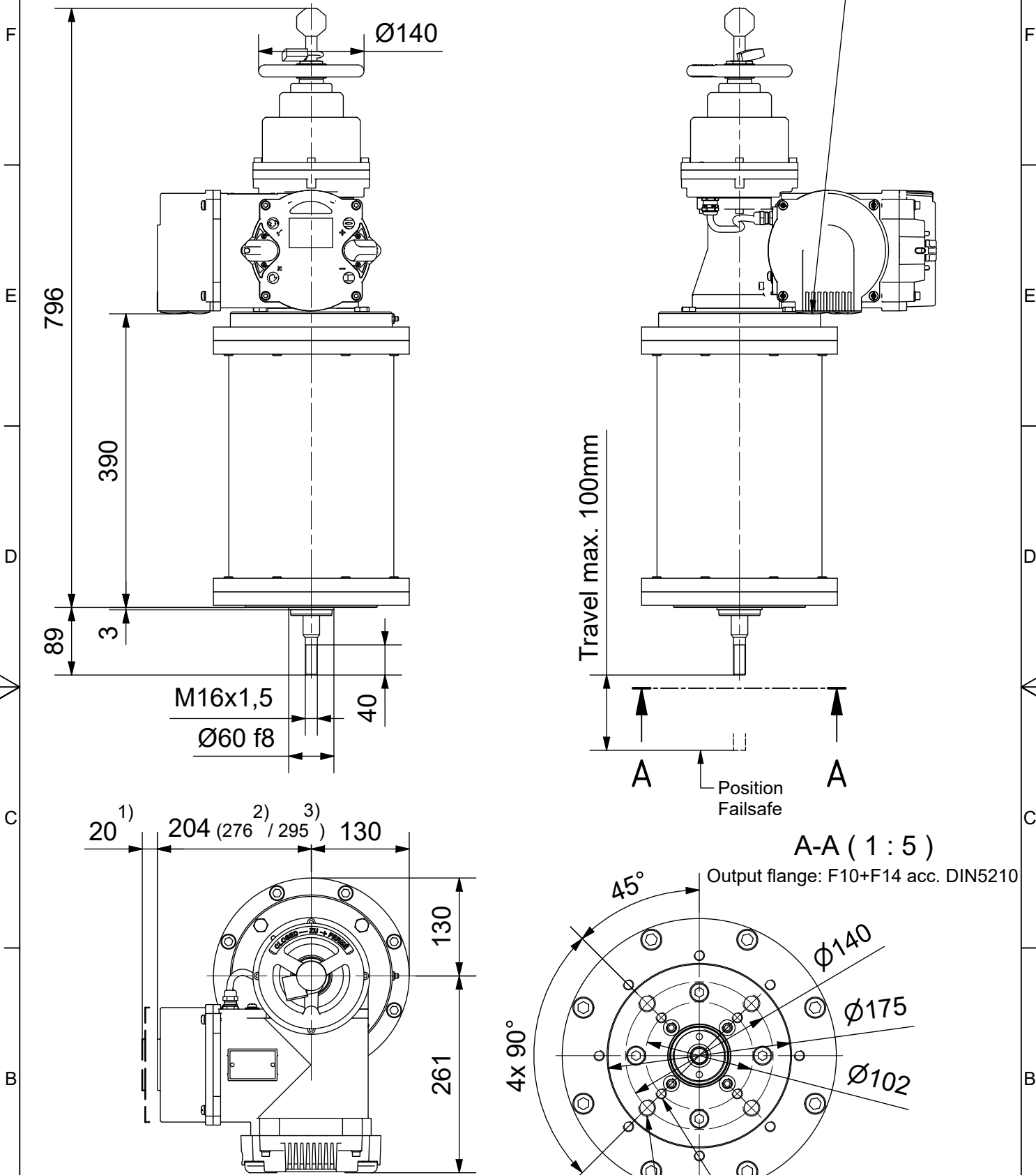


Screw plugs (cable gland): 1x M40x1,5; 1x M32x1,5; 1x M25x1,5



- 1) Space required for removing cover
- 2) for ex terminal box with bus connection "DP"
- 3) for 3 phase version "SDC480"

SCHIEBEL

Dimensions

All dimensions in mm

Actusafe CM03FS100.12
 Type: with handwheel, extending, F10+F14
 travel max. 100mm, force 12kN

M-CM03FS100_12-06E

	Dated	Name
drawn	21.12.2016	H.Mayer
checked		

Antriebstechnik
 Gesellschaft m.b.H.
 Josef Benc Gasse 4
 A - 1230 Vienna

