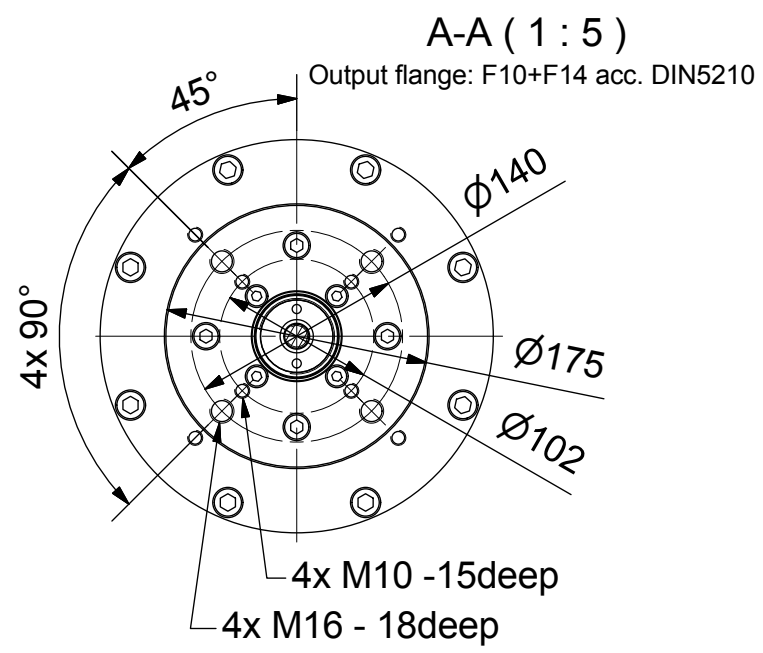
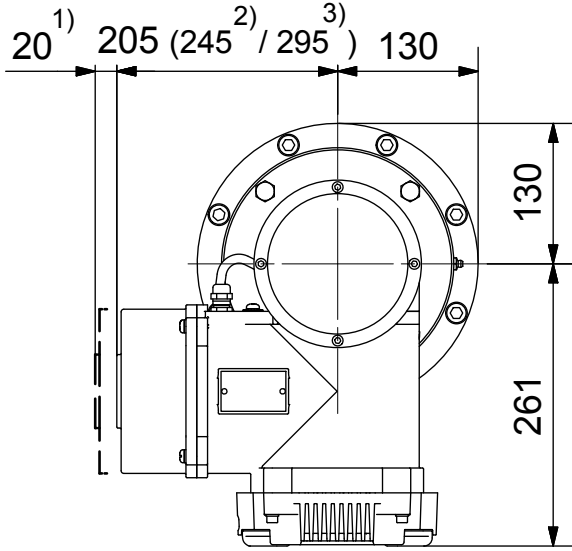
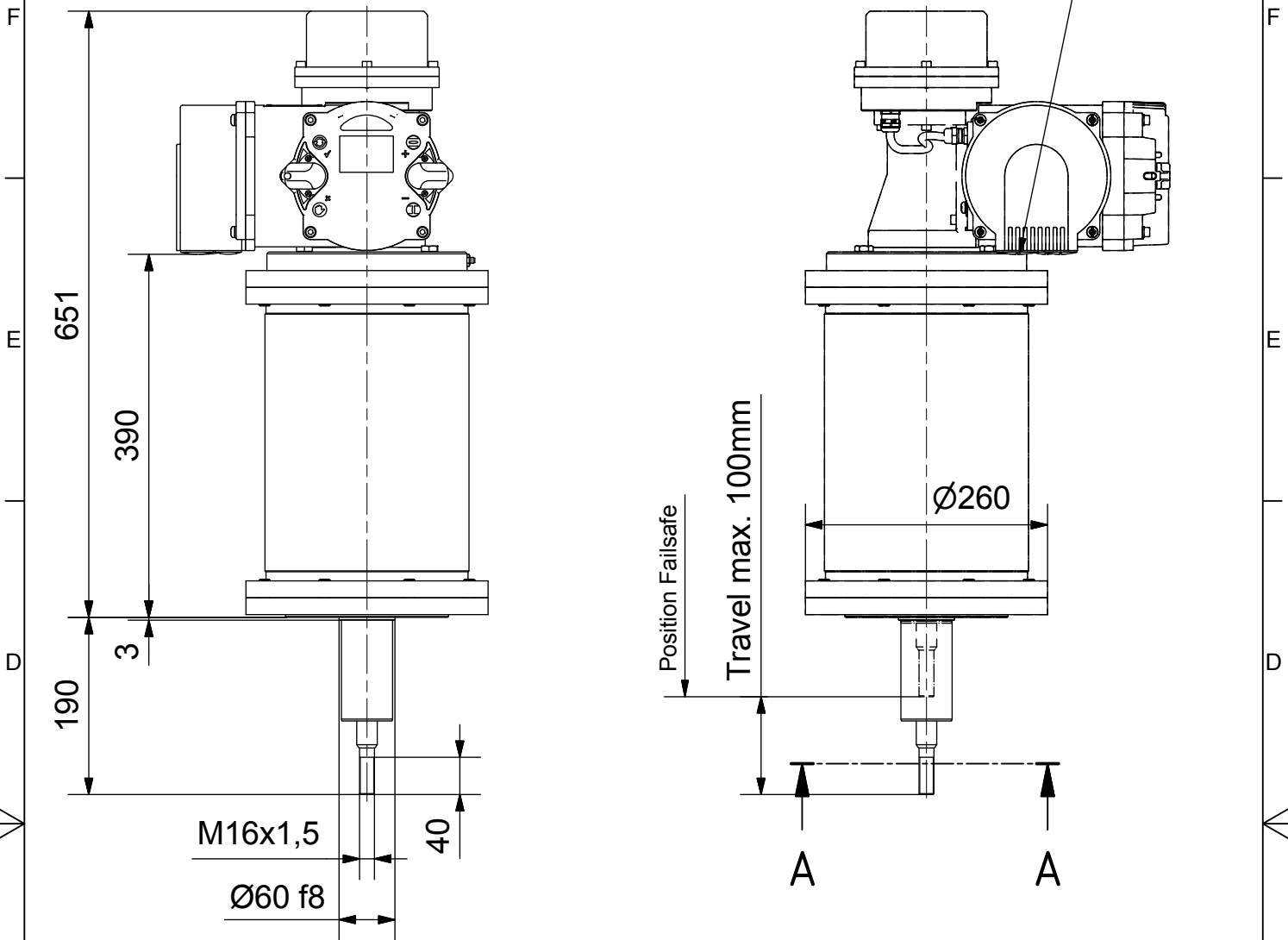


Screw plugs (cable gland): 1x M40x1,5; 1x M32x1,5; 1x M25x1,5



- 1) Space required for removing cover
- 2) for ex terminal box with bus connection "DP"
- 3) for 3 phase version "SDC480"

SCHIEBEL	Dimensions	All dimensions in mm	
	<p>Actusafe CM03FS100.12</p> <p>Type: retracting, F10+F14</p> <p>travel max. 100mm, force 12kN</p>	M-CM03FS100_12-08-1E	
Antriebstechnik Gesellschaft m.b.H. Josef Benc Gasse 4 A - 1230 Vienna		drawn	Dated 20.12.2016
		checked	Name H.Mayer