

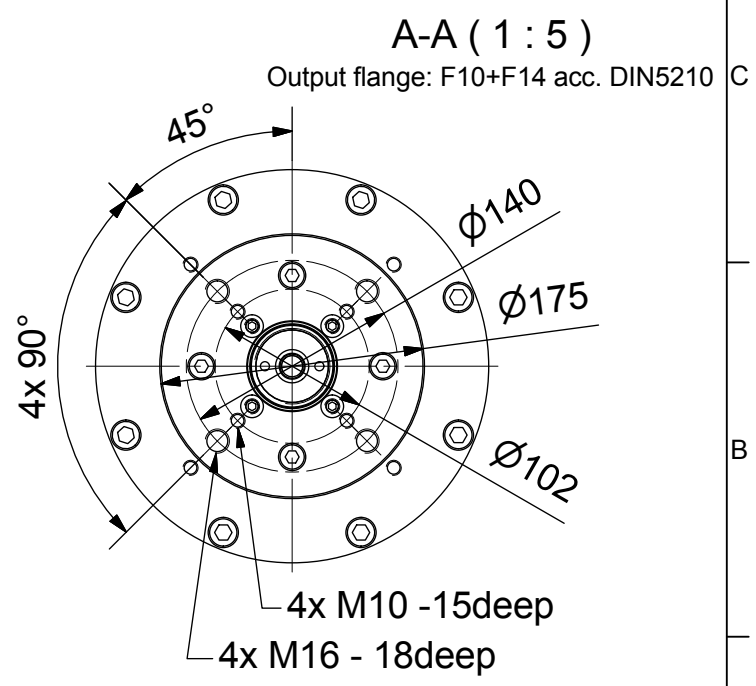
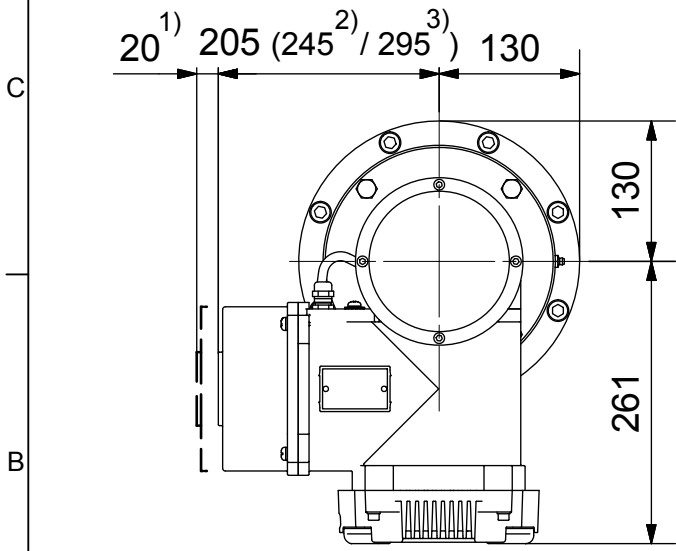
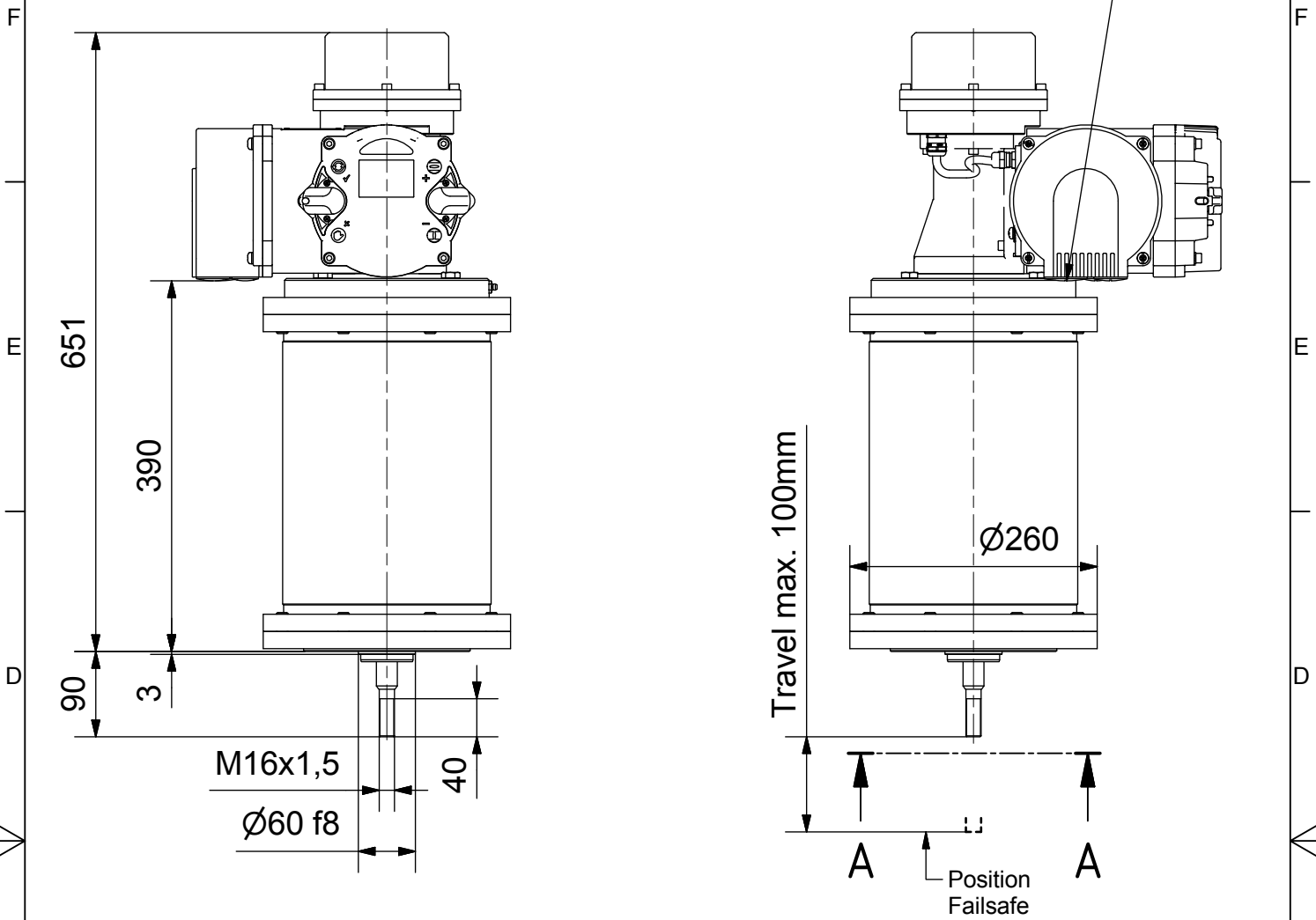
4

3

2

1

Screw plugs (cable gland): 1x M40x1,5; 1x M32x1,5; 1x M25x1,5



- 1) Space required for removing cover
- 2) for ex terminal box with bus connection "DP"
- 3) for 3 phase version "SDC480"

SCHIEBEL

Dimensions

Actusafe CM03FS100.12

Type: extending, F10+F14
travel max. 100mm, force 12kN

All dimensions in mm

M-CM03FS100_12-08E

	Dated	Name
drawn	20.12.2016	H.Mayer
checked		

