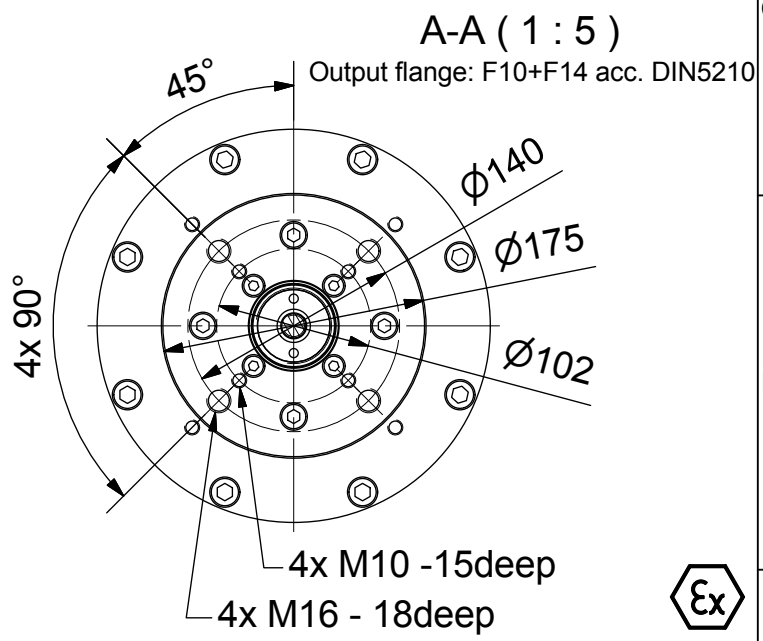
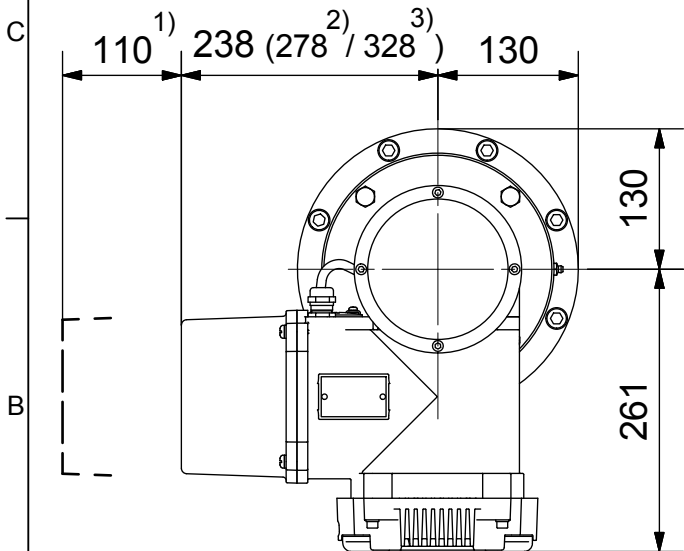
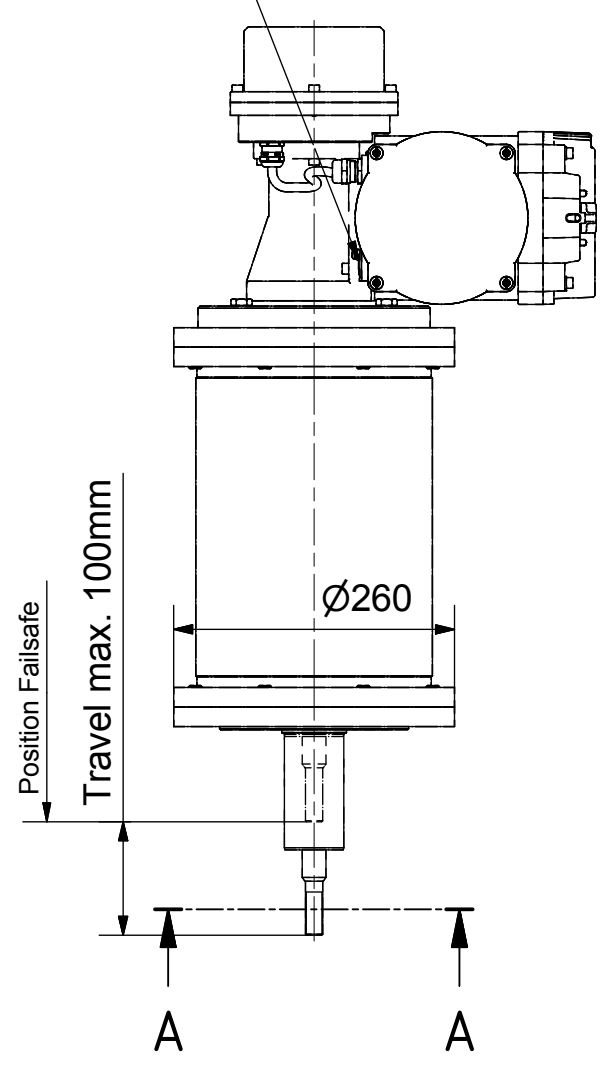
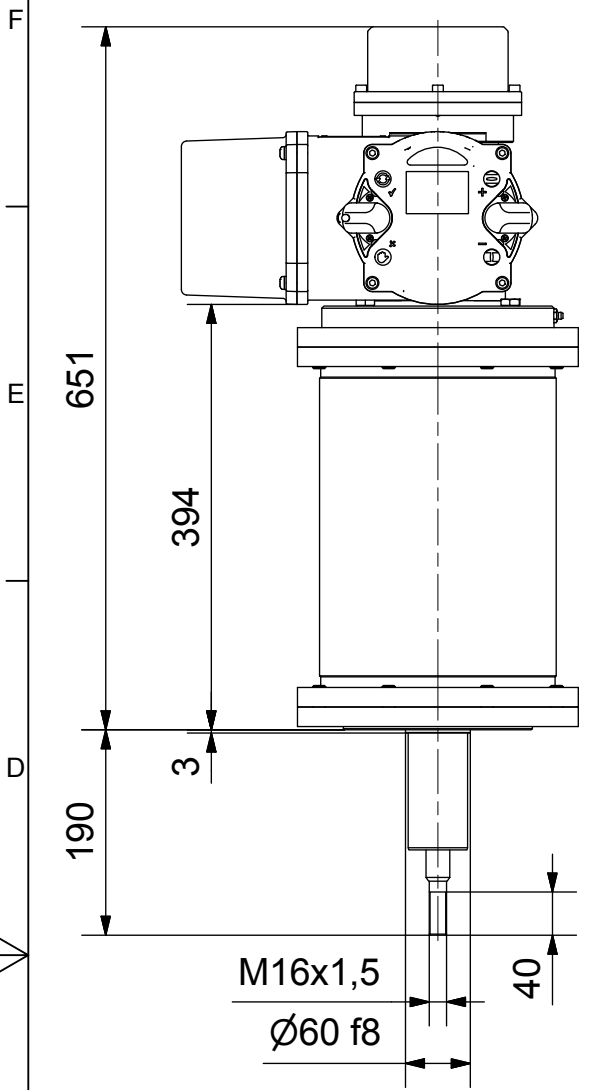


Screw plugs (cable gland): 1x M40x1,5; 1x M20x1,5



- 1) Space required for removing cover
- 2) for ex terminal box with bus connection "DP"
- 3) for 3 phase version "SDC480"

**SCHIEBEL**

Dimensions  
**Actusafe exCM03FS100.12**  
 Type: retracting, F10+F14  
 travel max. 100mm, force 12kN

All dimensions in mm

M-CM03FS100\_12-09-1E

	Dated	Name
drawn	19.12.2016	H.Mayer
checked		

