

4

3

2

1

F

E

D

C

B

A

F

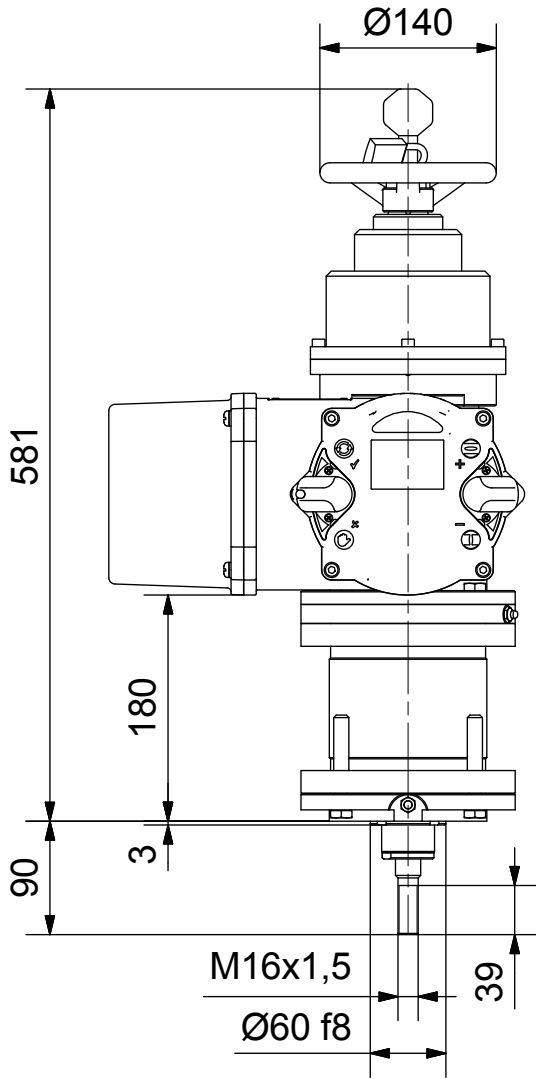
E

D

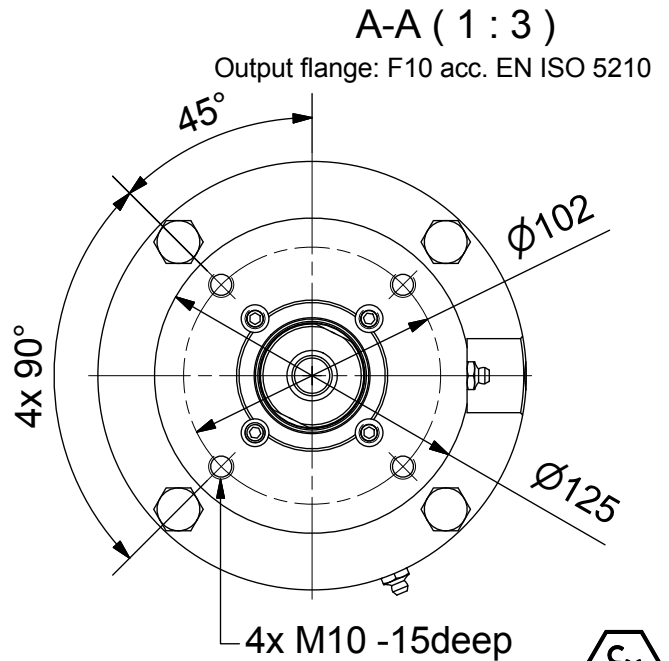
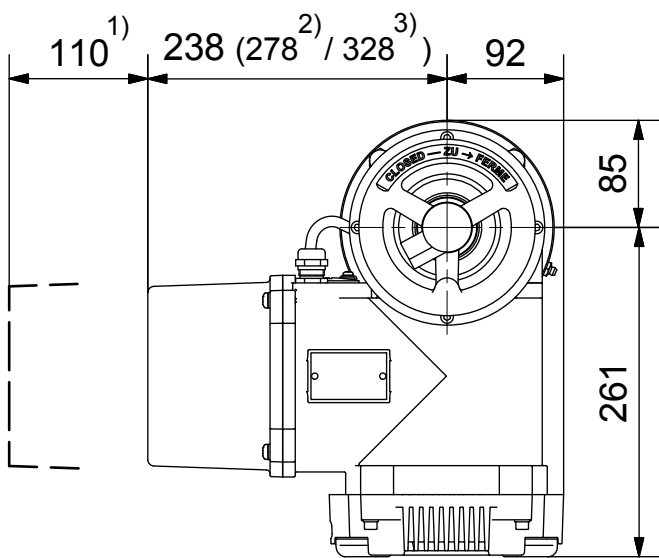
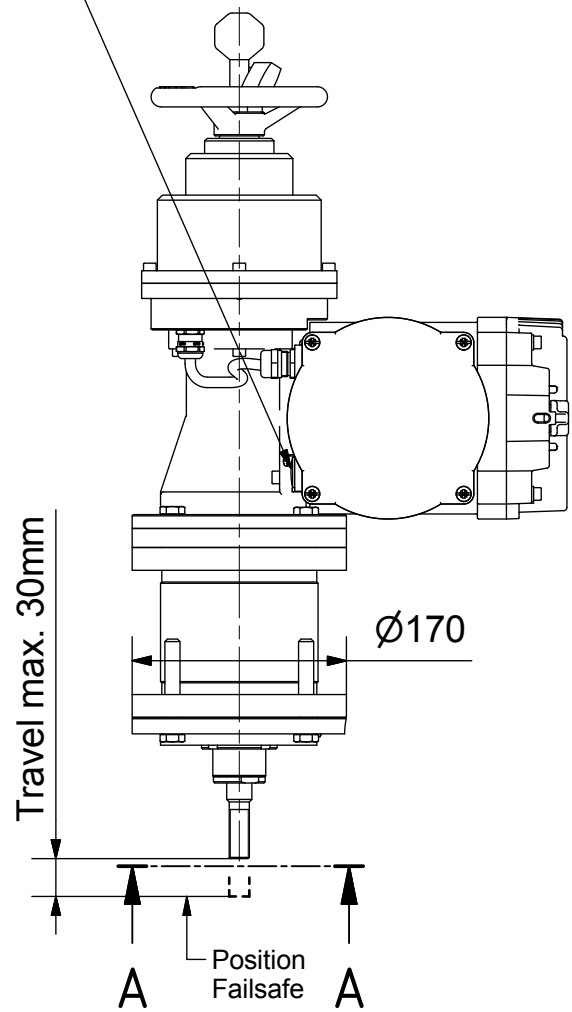
C

B

A



Screw plugs (cable gland): 1x M40x1,5; 1x M20x1,5



- 1) Space required for removing cover
- 2) for ex terminal box with bus connection "DP"
- 3) for 3 phase version "SDC480"

SCHIEBEL

Dimensions

All dimensions in mm

Actusafe exCM03FS30.5
 Type: with handwheel, extending, F10
 travel max. 30mm, force 5kN

M-CM03FS30_5-03E

	Dated	Name
drawn	16.08.2016	H.Mayer
checked		

Antriebstechnik
 Gesellschaft m.b.H.
 Josef Benc Gasse 4
 A - 1230 Vienna

G:\Inventor\Failsafe\CMFS\CM03FS30_5\M-CM03FS30_5-03E.idw



4

3

2

1

