

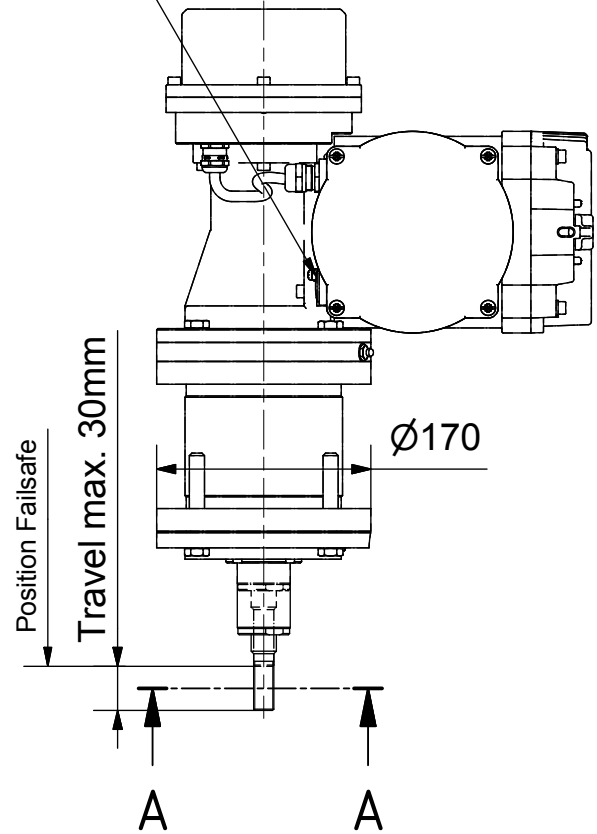
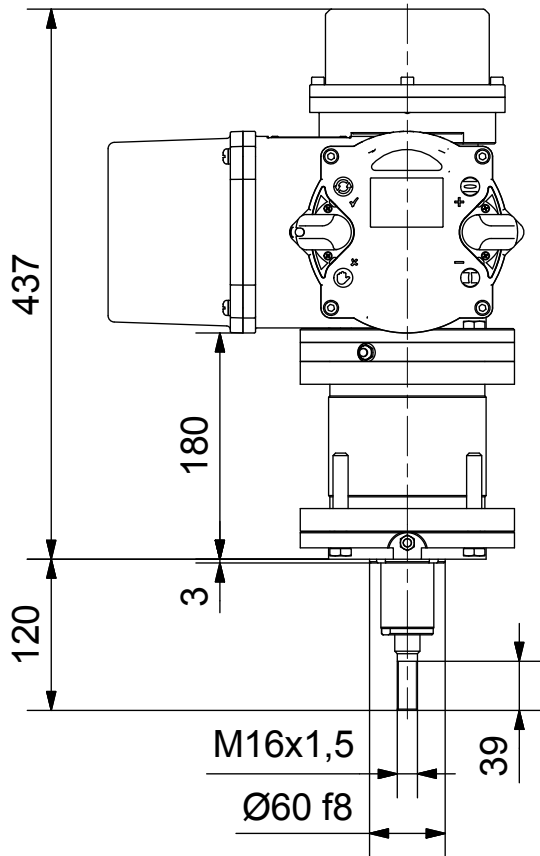
4

3

2

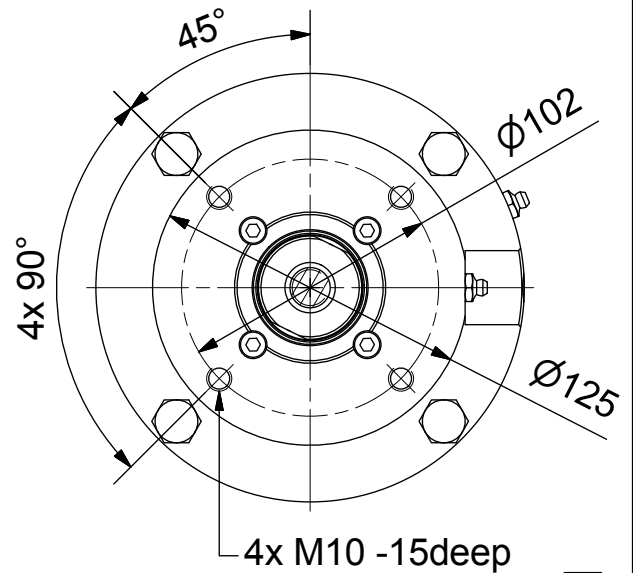
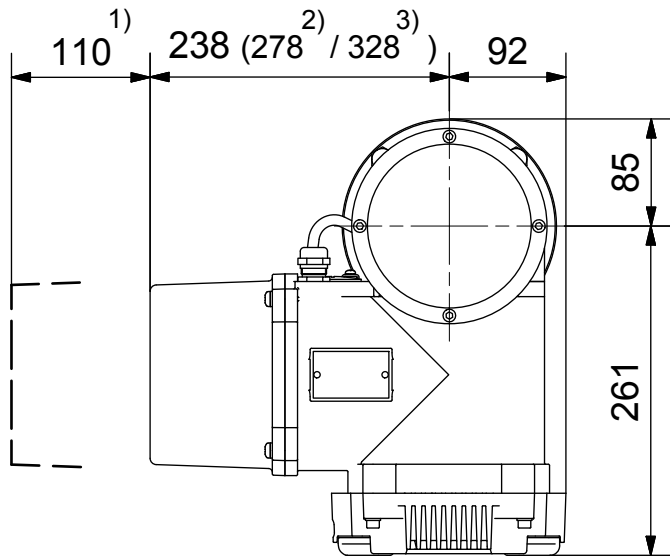
1

Screw plugs (cable gland): 1x M40x1,5; 1x M20x1,5



A-A ( 1 / 3 )

Output flange: F10 acc. DIN5210



- 1) Space required for removing cover  
 2) for ex terminal box with bus connection "DP"  
 3) for 3 phase version "SDC480"

**SCHIEBEL**

Dimensions

All dimensions in mm

**Actusafe exCM03FS30.5**Type: retracting, F10  
travel max. 30mm, force 5kN

M-CM03FS30\_5-05-1E

	Dated	Name
drawn	19.12.2016	H.Mayer
checked		

G:\Inventor\Failsafe\CMFS\CM03FS30\_5\M-CM03FS30\_5-05-1E.idw



4

3

2

1