

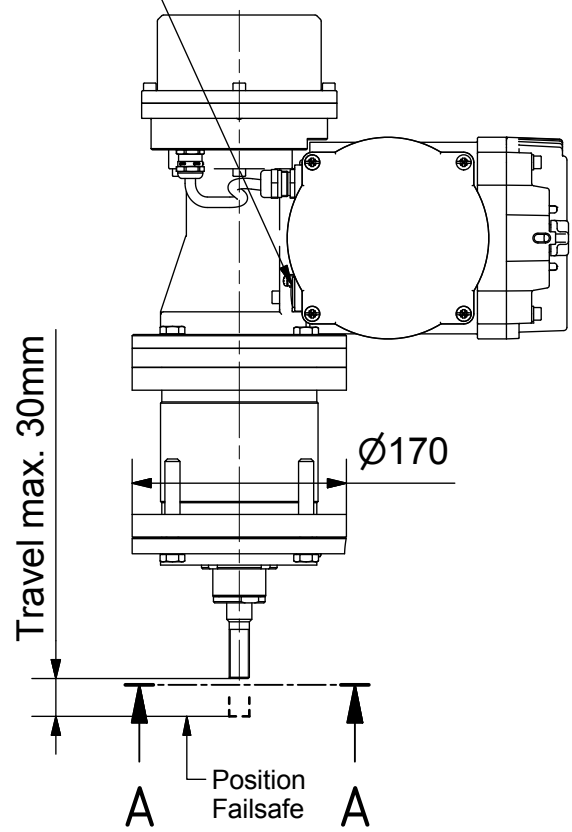
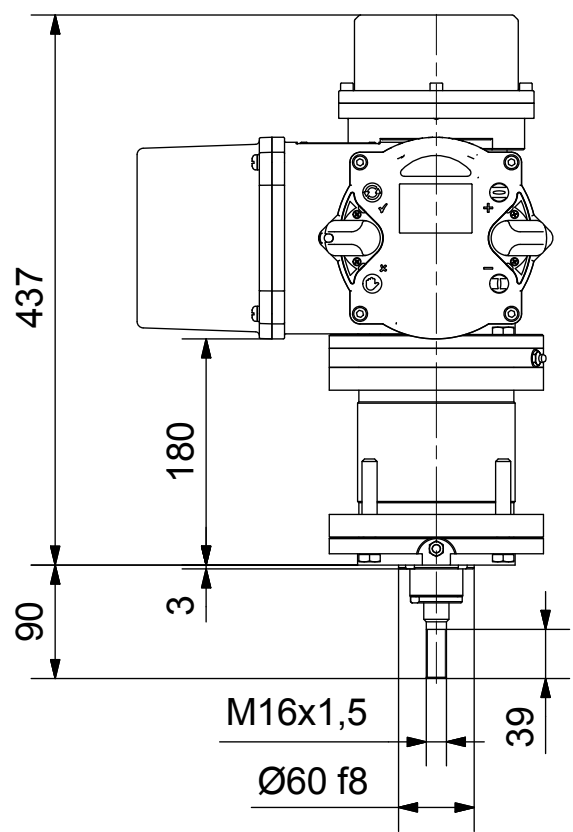
4

3

2

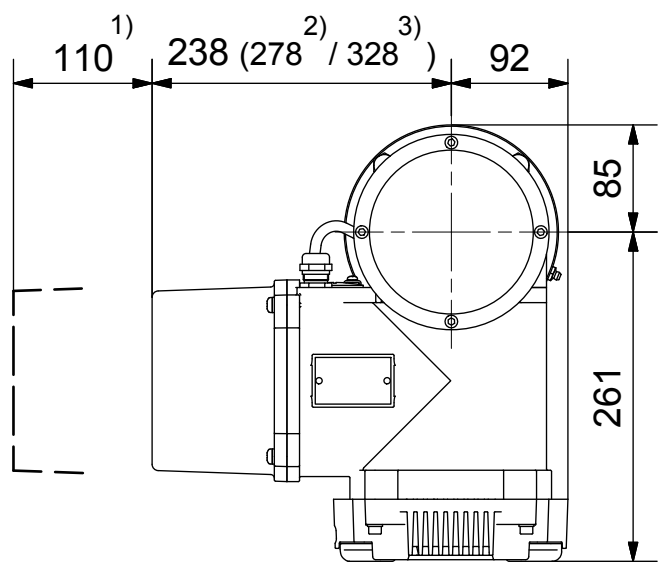
1

Screw plugs (cable gland): 1x M40x1,5; 1x M20x1,5



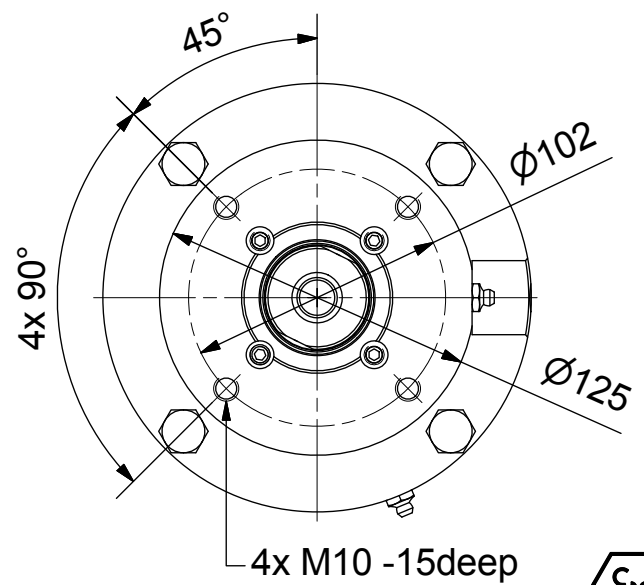
Travel max. 30mm

A A  
Position Failsafe



A-A (1 : 3)

Output flange: F10 acc. DIN5210



- 1) Space required for removing cover
- 2) for ex terminal box with bus connection "DP"
- 3) for 3 phase version "SDC480"



**SCHIEBEL**

Dimensions All dimensions in mm

**Actusafe exCM03FS30.5**

Type: extending, F10  
travel max. 30mm, force 5kN

M-CM03FS30\_5-05E

	Dated	Name
drawn	16.08.2016	H.Mayer
checked		

Antriebstechnik  
Gesellschaft m.b.H.  
Josef Benc Gasse 4  
A - 1230 Vienna

