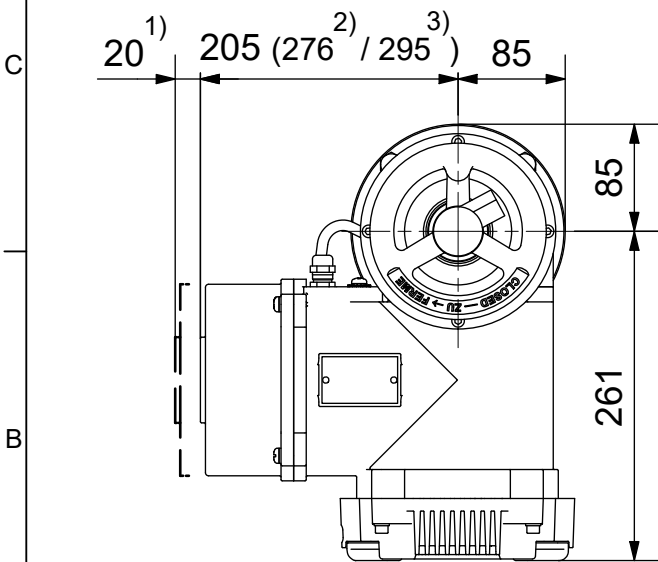
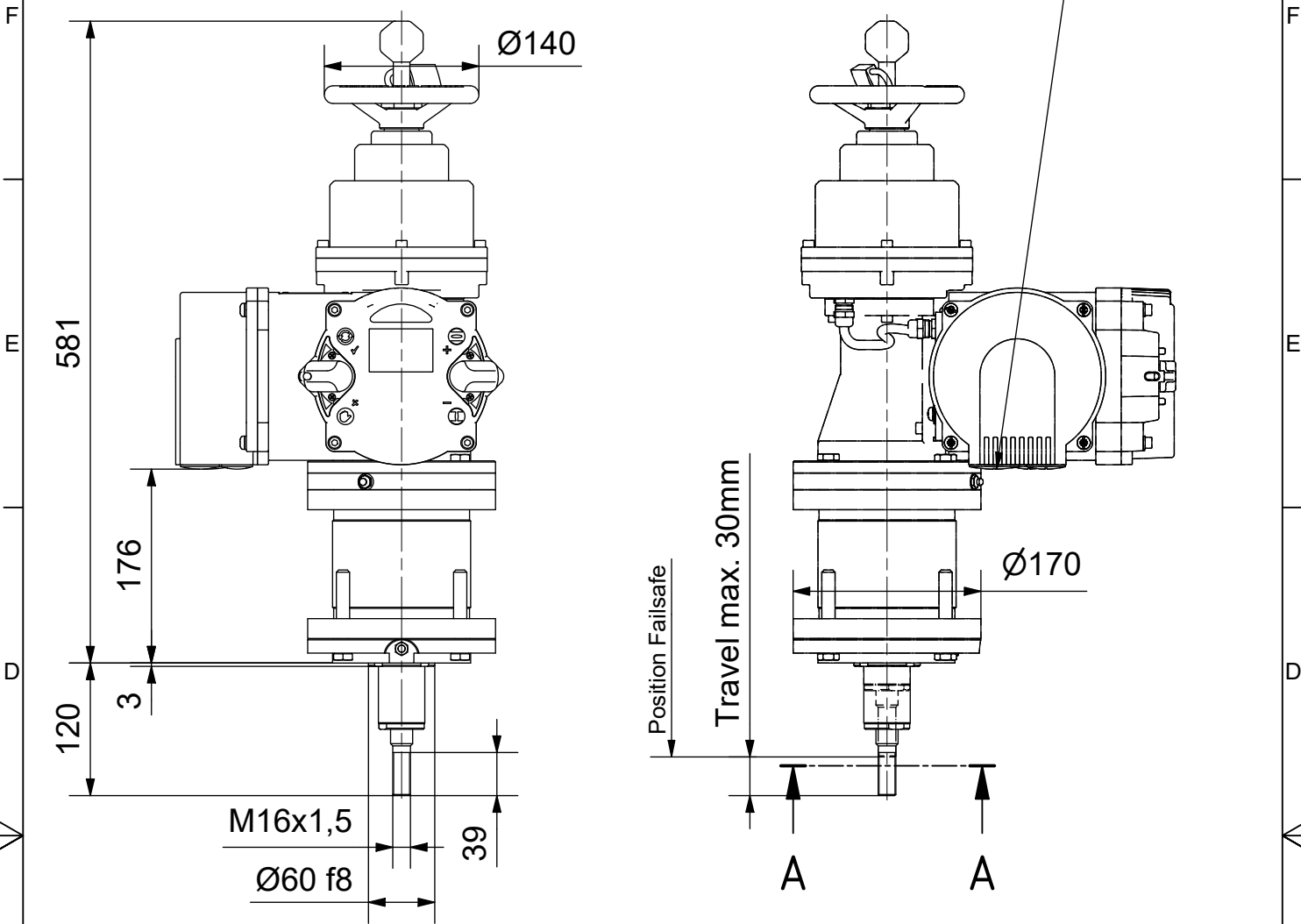
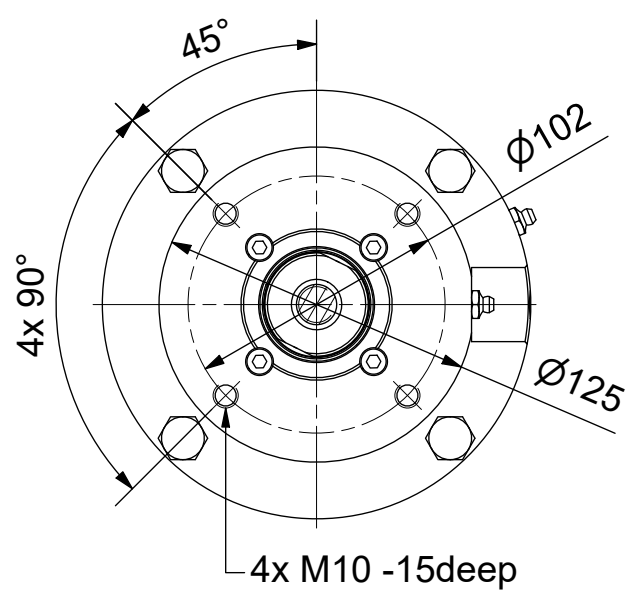


Screw plugs (cable gland): 1x M40x1,5; 1x M32x1,5; 1x M25x1,5



A-A ( 1 / 3 )  
Output flange: F10 acc. DIN5210



- 1) Space required for removing cover
- 2) for ex terminal box with bus connection "DP"
- 3) for 3 phase version "SDC480"

**SCHIEBEL**

Dimensions

All dimensions in mm

**Actusafe CM03FS30.5**

Type: with handwheel, retracting, F10  
travel max. 30mm, force 5kN

M-CM03FS30\_5-06-1E

	Dated	Name
drawn	21.12.2016	H.Mayer
checked		

