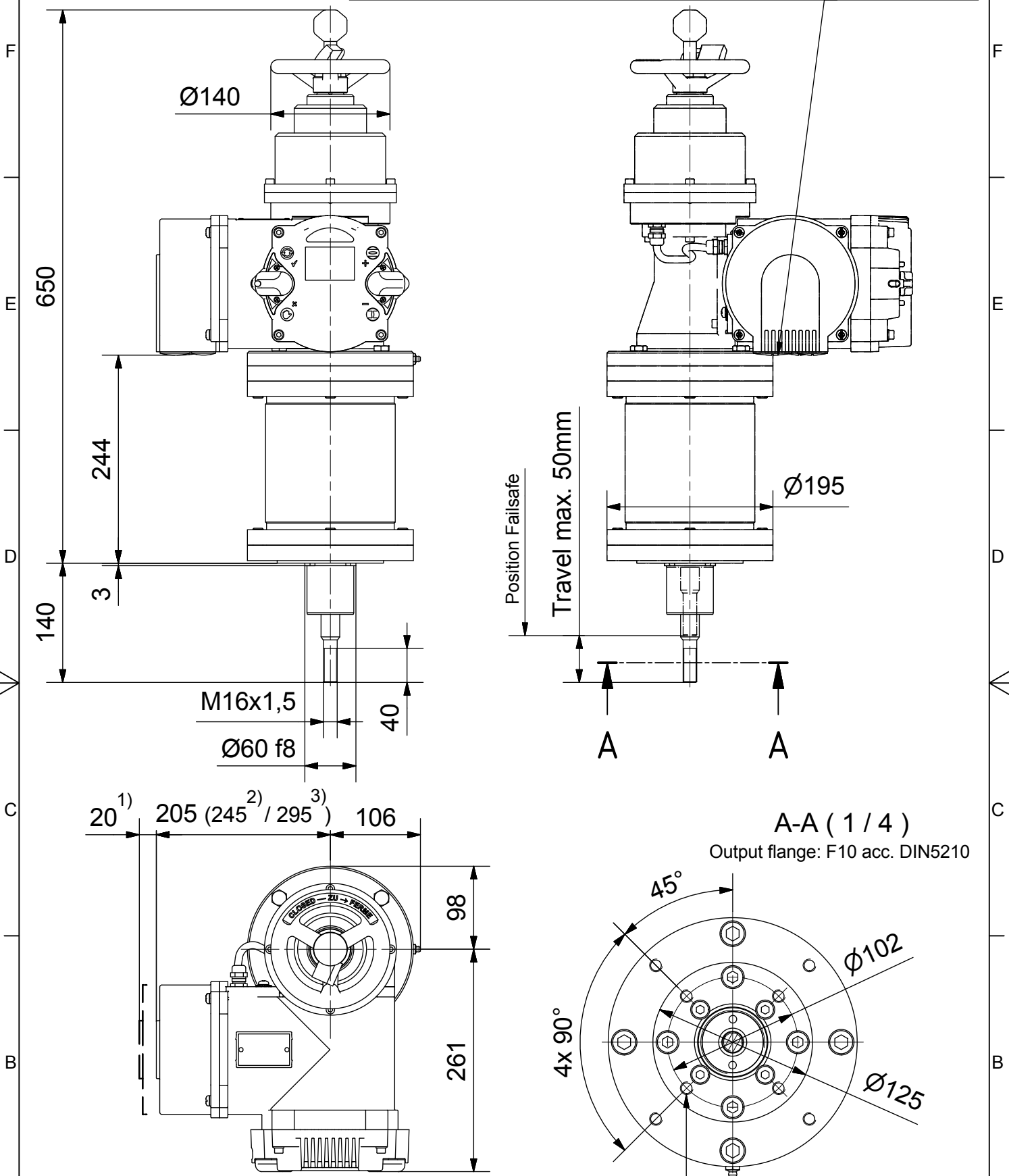


Screw plugs (cable gland): 1x M40x1,5; 1x M32x1,5; 1x M25x1,5



1) Space required for removing cover  
 2) for ex terminal box with bus connection "DP"  
 3) for 3 phase version "SDC480"

**SCHIEBEL**

Dimensions All dimensions in mm

**Actusafe CM03FS50.8**

Type: with handwheel, retracting, F10  
 travel max. 50mm, force 8kN

M-CM03FS50\_8-06-1E

	Dated	Name
drawn	21.12.2016	H.Mayer
checked		

