

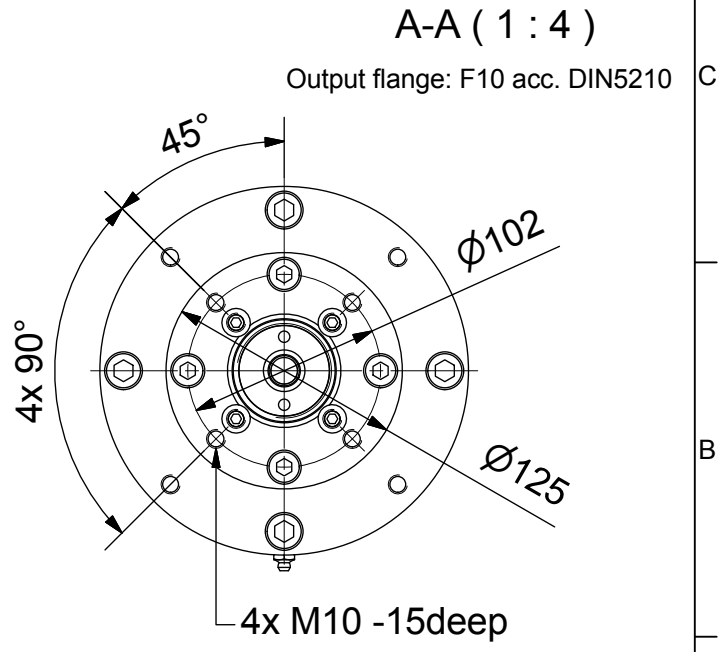
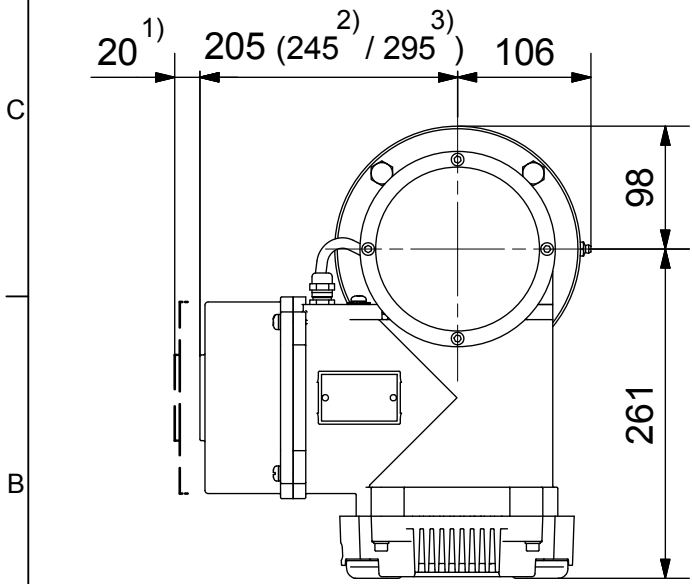
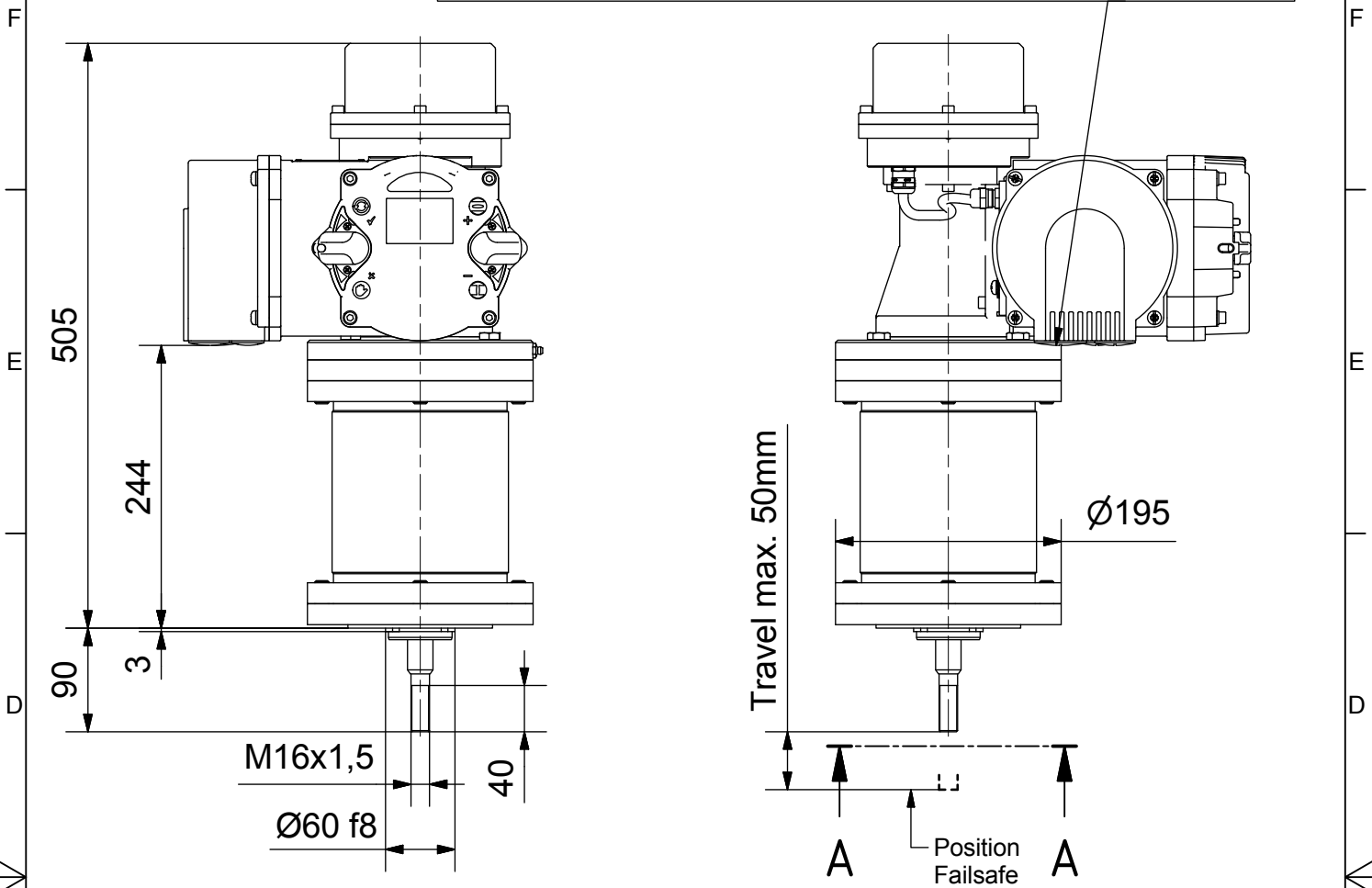
4

3

2

1

Screw plugs (cable gland): 1x M40x1,5; 1x M32x1,5; 1x M25x1,5



- 1) Space required for removing cover
- 2) for ex terminal box with bus connection "DP"
- 3) for 3 phase version "SDC480"

SCHIEBEL

Dimensions

All dimensions in mm

Actusafe CM03FS50.8

Type: extending, F10
travel max. 50mm, force 8kN

M-CM03FS50_8-07E

	Dated	Name
drawn	20.12.2016	H.Mayer
checked		

Antriebstechnik
Gesellschaft m.b.H.
Josef Benc Gasse 4
A - 1230 Vienna

