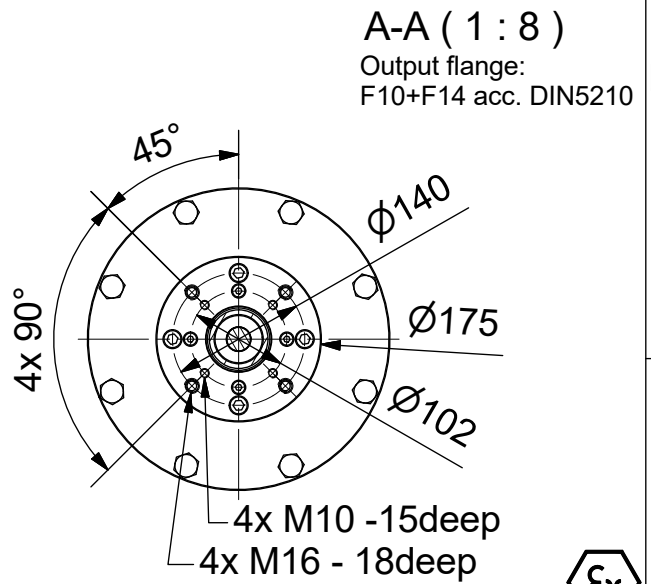
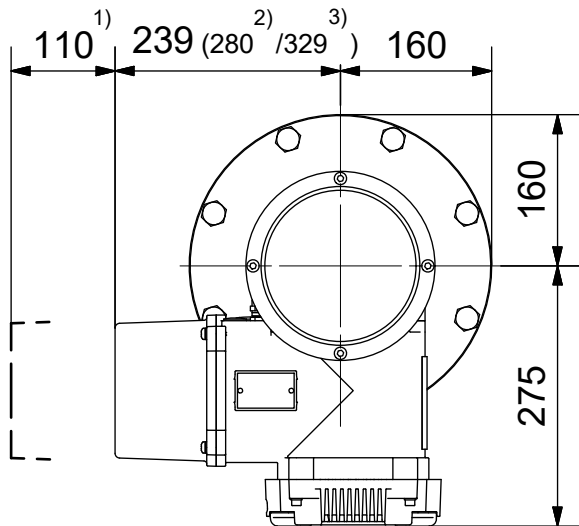
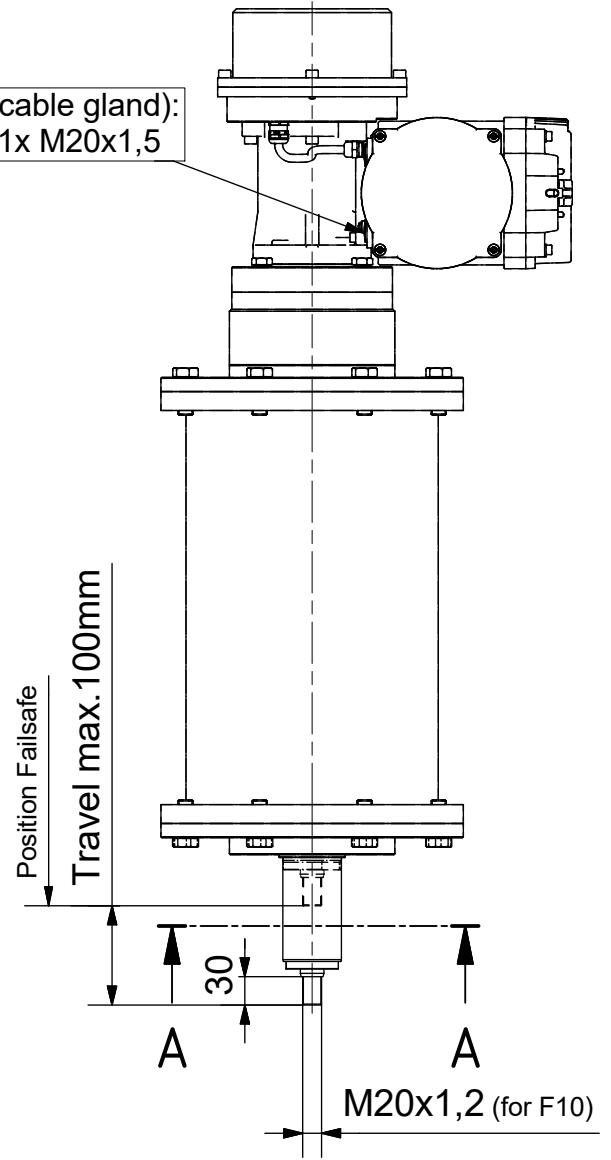


Screw plugs (cable gland):
1x M40x1,5 / 1x M20x1,5



A-A (1 : 8)
Output flange:
F10+F14 acc. DIN5210

- 1) Space required for removing cover
- 2) for ex terminal box with bus connection "DP"
- 3) for 3 phase version "SDC480"



SCHIEBEL

Dimensions

All dimensions in mm

Actusafe exCM06FS100.30

Type: retracting, F10+F14
travel max. 100mm, force 30kN

M-CM06FS100_30-1-1E

Antriebstechnik
Gesellschaft m.b.H.
Josef Benc Gasse 4
A - 1230 Vienna

	Dated	Name
drawn	22.09.2017	H.Mayer
checked		

