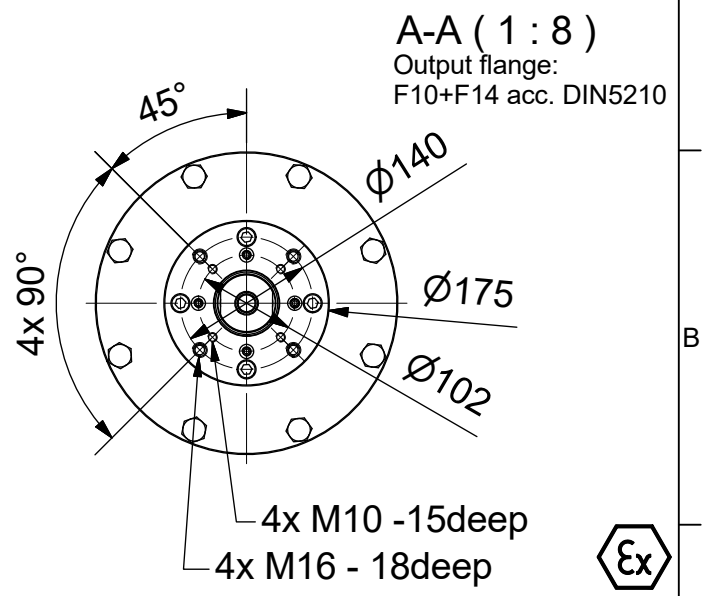
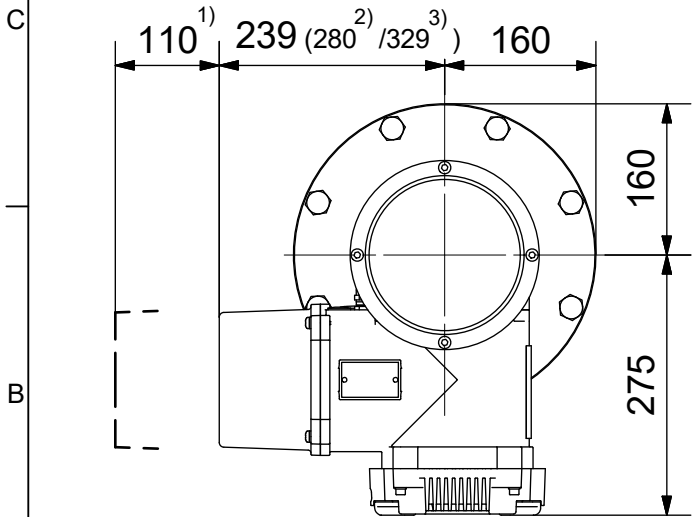
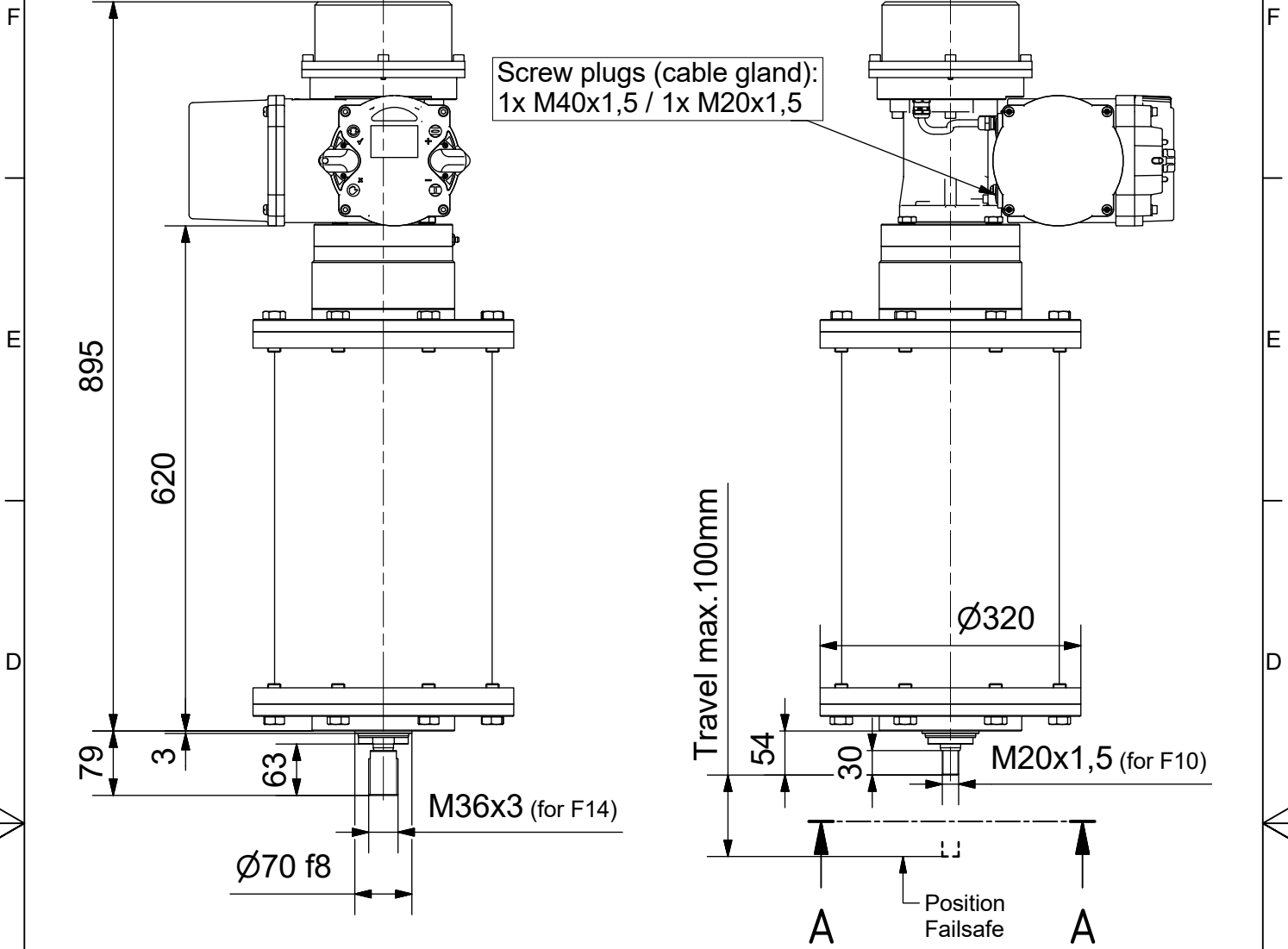


4

3

2

1



- 1) Space required for removing cover
- 2) for ex terminal box with bus connection "DP"
- 3) for 3 phase version "SDC480"

**SCHIEBEL**

Dimensions All dimensions in mm

M-CM06FS100\_30-1E

Antriebstechnik  
Gesellschaft m.b.H.  
Josef Benc Gasse 4  
A - 1230 Vienna

**Actusafe exCM06FS100.30**  
Type: "close down", F10+F14  
Travel max. 100mm, force 30kN

	Dated	Name
drawn	20.09.2017	H.Mayer
checked		