

6

5

4

3

2

1

D

C

B

A

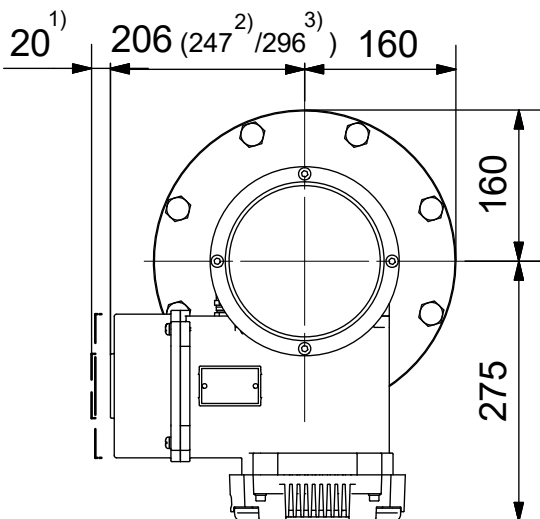
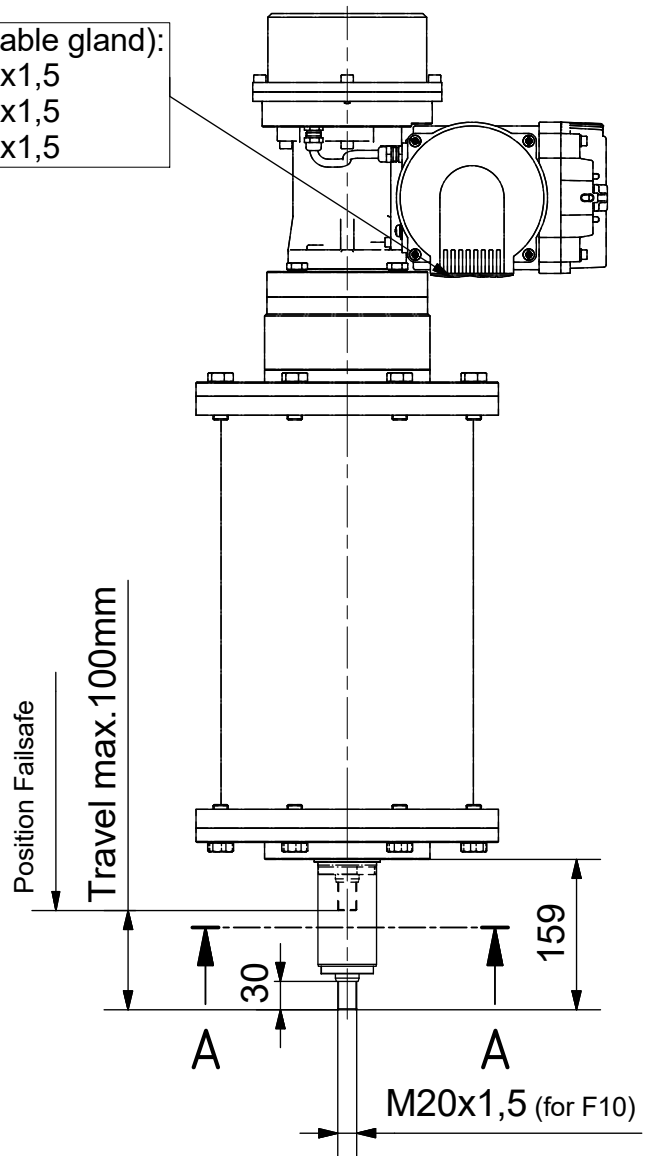
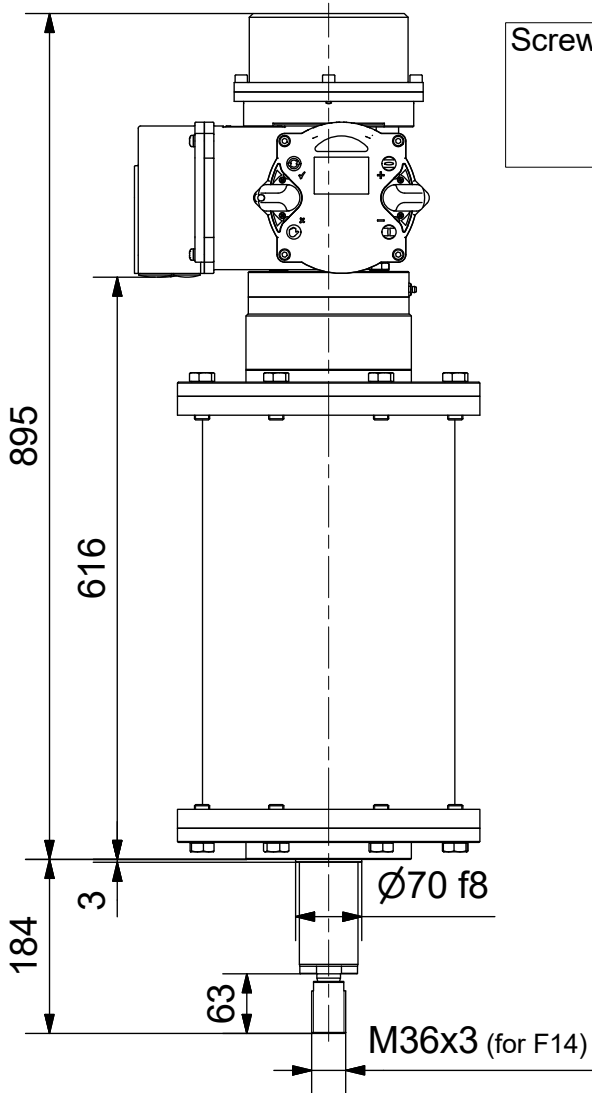
D

C

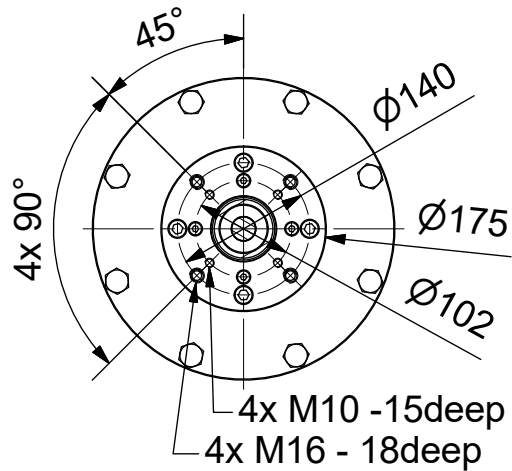
B

A

Screw plugs (cable gland):
 1x M25x1,5
 1x M32x1,5
 1x M40x1,5



A-A (1 : 8)
 Output flange:
 F10+F14 acc. DIN5210



- 1) Space required for removing cover
 2) for ex terminal box with bus connection "DP"
 3) for 3 phase version "SDC480"

All dimensions in mm

SCHIEBEL

Dimensions

Actusafe CM06FS100.30

Type: retracting, F10+F14
 travel max. 100mm, force 30kN

M-CM06FS100_30-3-1E

Antriebstechnik
 Gesellschaft m.b.H.
 Josef Benc Gasse 4
 A - 1230 Vienna

	Dated	Name
drawn	22.09.2017	H.Mayer
checked		

G:\Inventor\Failsafe\CMFS\CM06FS100_30\M-CM06FS100_30-3-1E.idw



6

5

4

3

2

1