

6

5

4

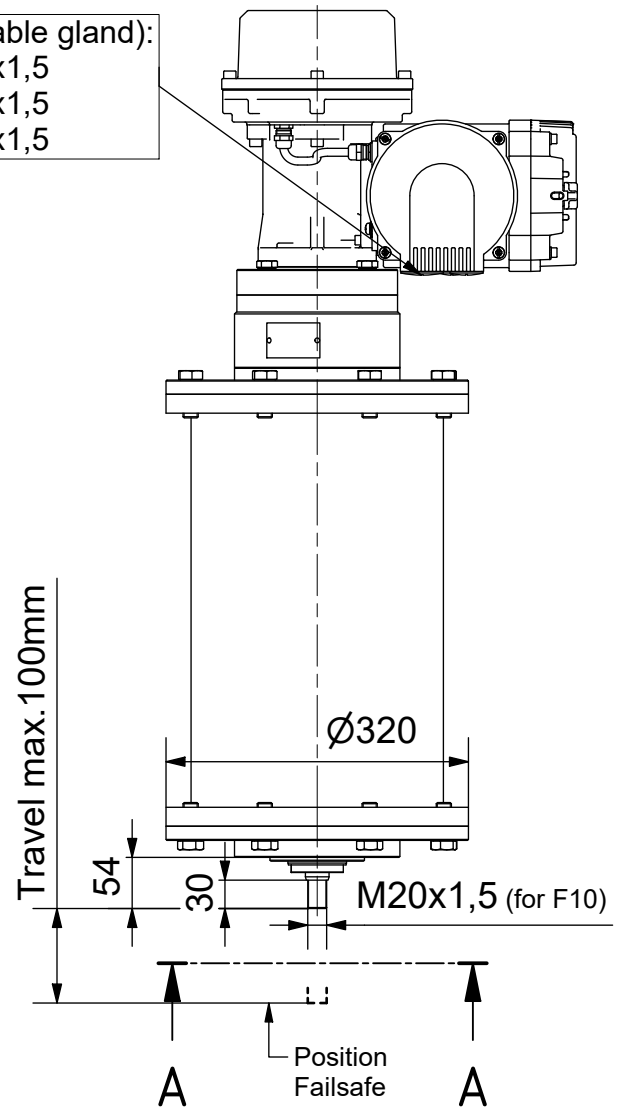
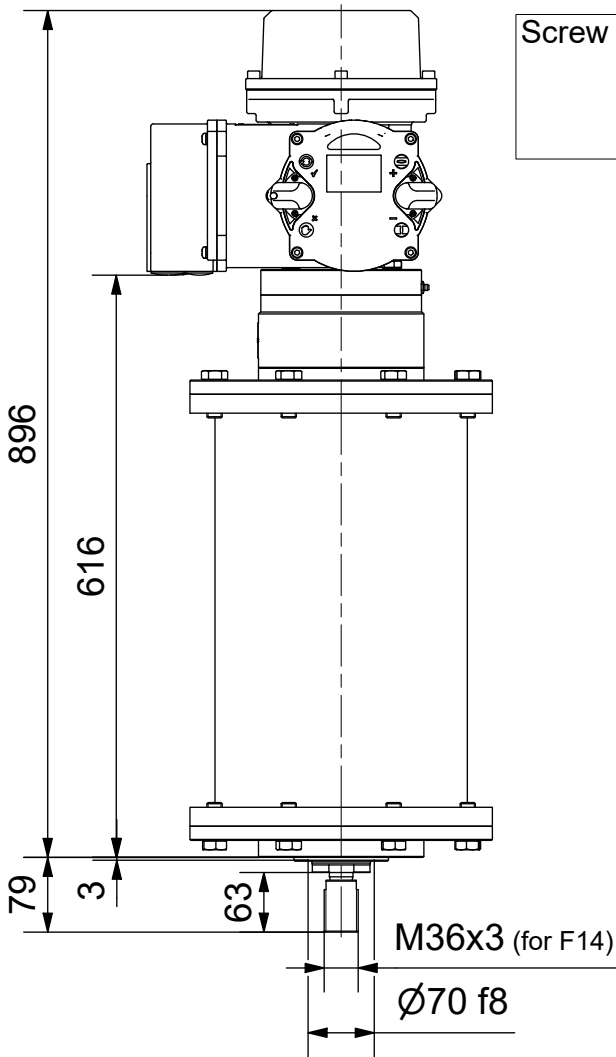
3

2

1

D

D

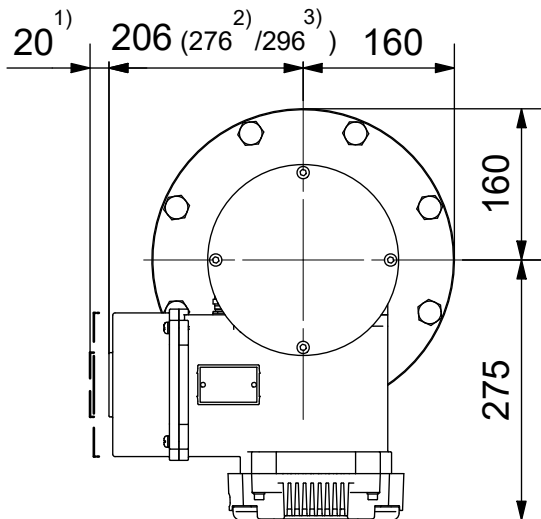


C

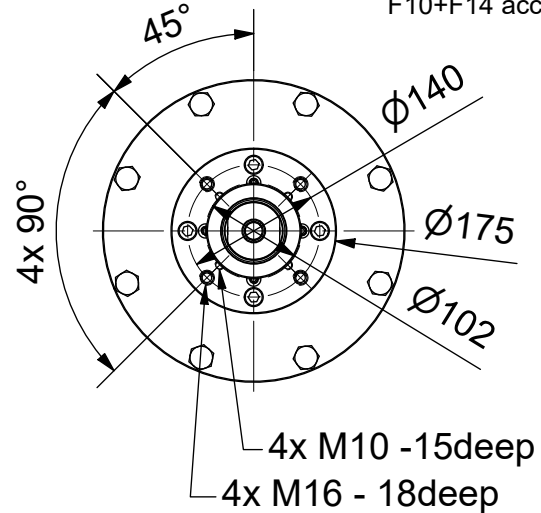
C

B

B



A-A (1 : 8)

Output flange:
F10+F14 acc. DIN5210

- 1) Space required for removing cover
 2) for ex terminal box with bus connection "DP"
 3) for 3 phase version "SDC480"

A

A

SCHIEBEL

Dimensions

All dimensions in mm

M-CM06FS100_30-3E

Antriebstechnik
 Gesellschaft m.b.H.
 Josef Benc Gasse 4
 A - 1230 Vienna

Actusafe CM06FS100.30

Type: "close down", F10+F14

Travel max. 100mm, force 30kN

	Dated	Name
drawn	22.09.2017	H.Mayer
checked		

G:\Inventor\Failsafe\CMFS\CM06FS100_30\M-CM06FS100_30-3E.idw



6

5

4

3

2

1