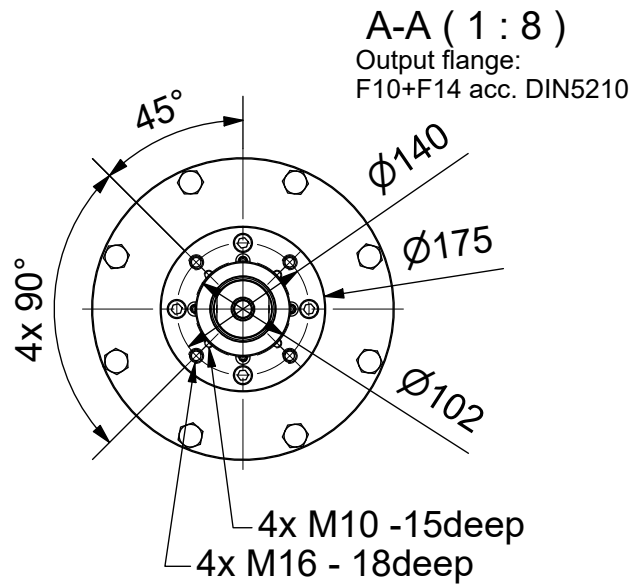
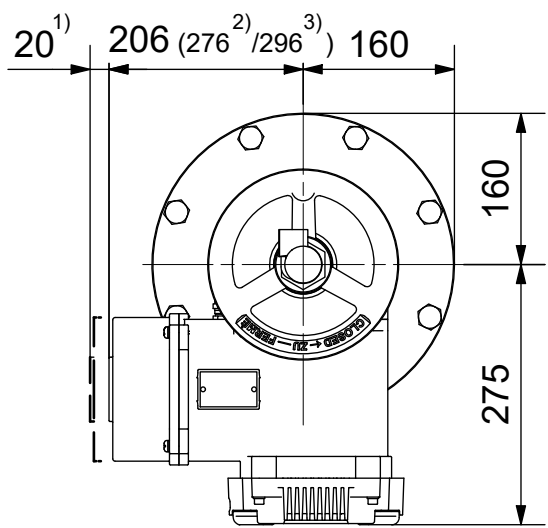
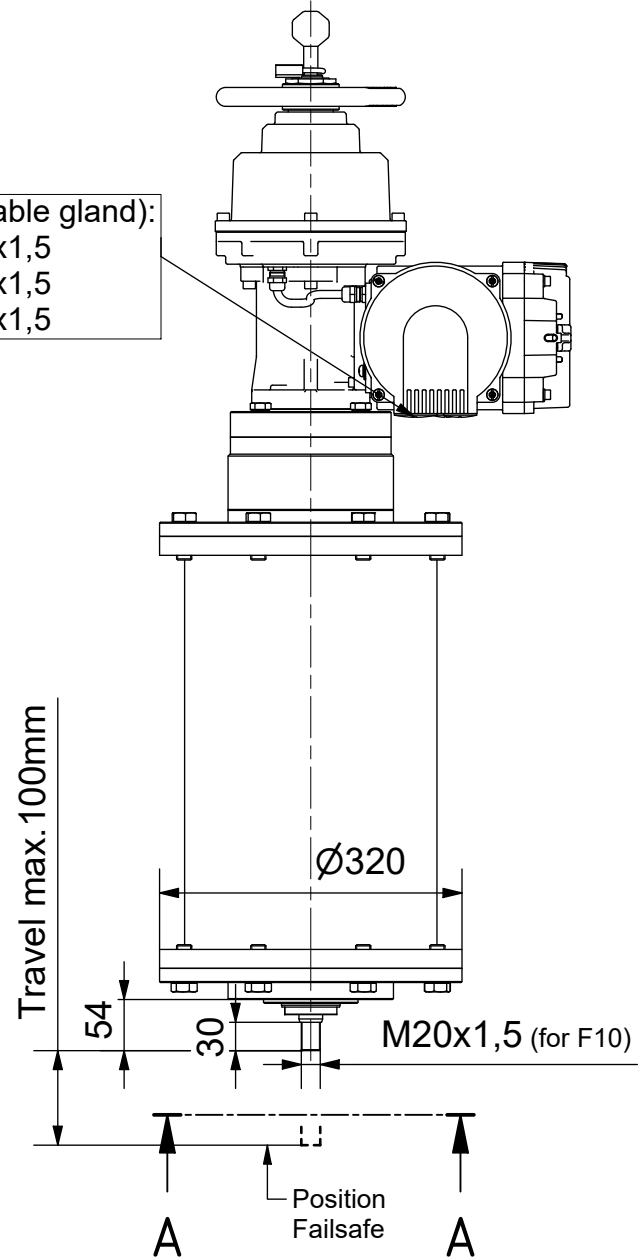
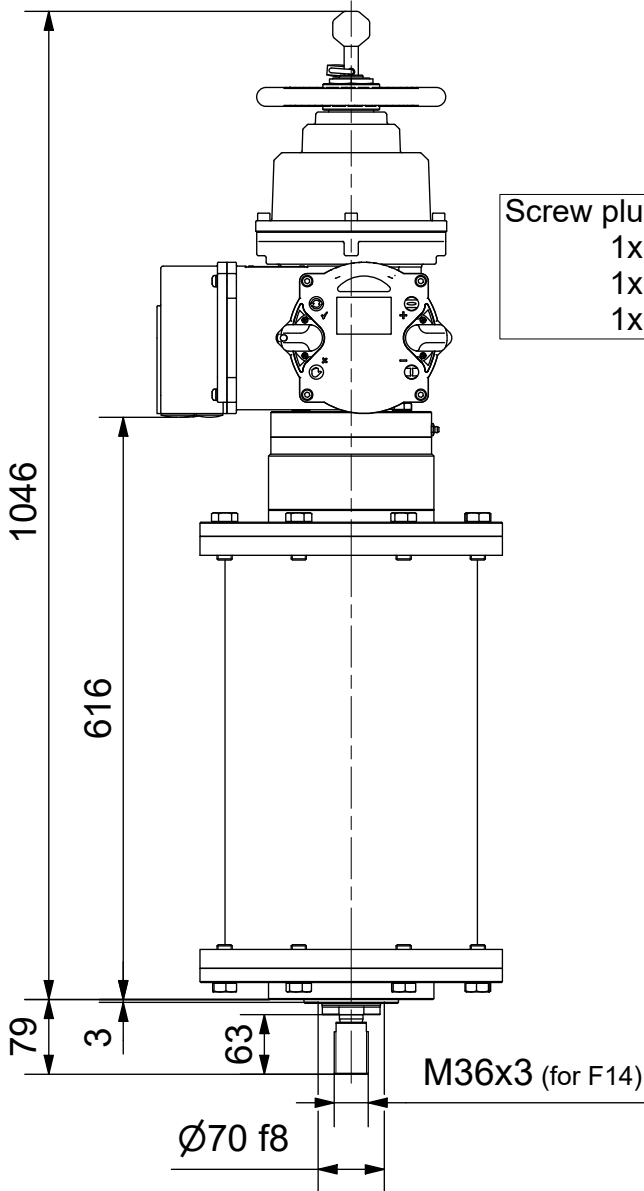


Screw plugs (cable gland):
 1x M25x1,5
 1x M32x1,5
 1x M40x1,5



- 1) Space required for removing cover
- 2) for ex terminal box with bus connection "DP"
- 3) for 3 phase version "SDC480"

SCHIEBEL

Dimensions
Actusafe CM06FS100.30
 Type: with handwheel "close down", F10+F14
 Travel max. 100mm, force 30kN

M-CM06FS100_30-4E

	Dated	Name
drawn	27.09.2017	H.Mayer
checked		

