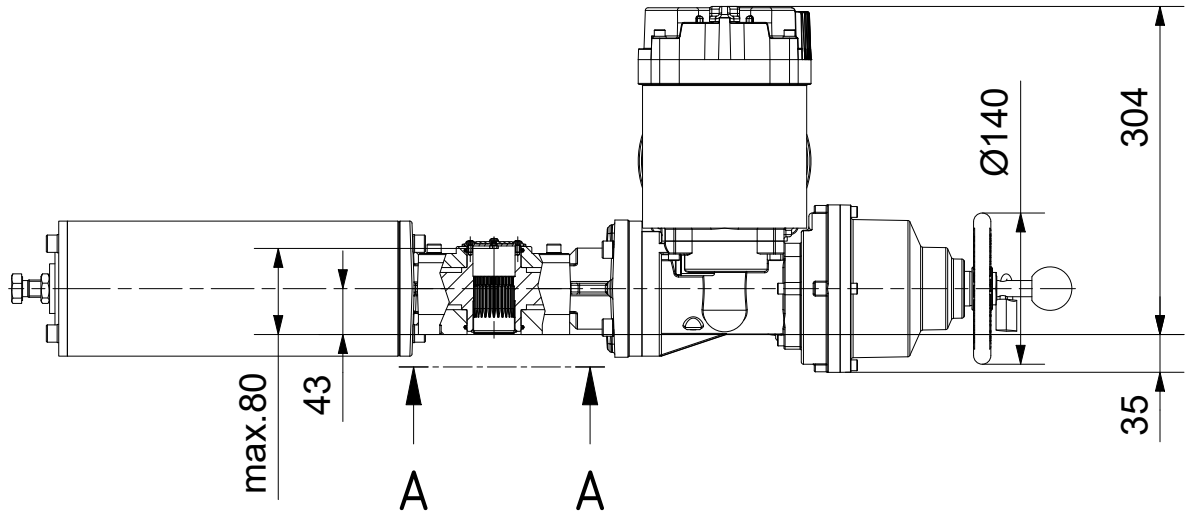
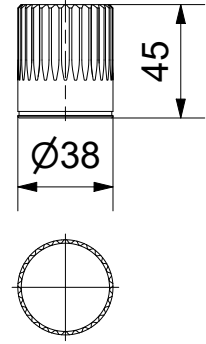
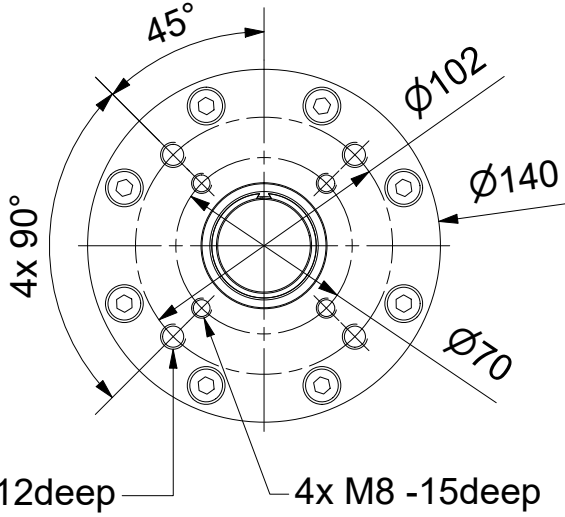


Output Drive: F07, F10  
acc. EN ISO 5211

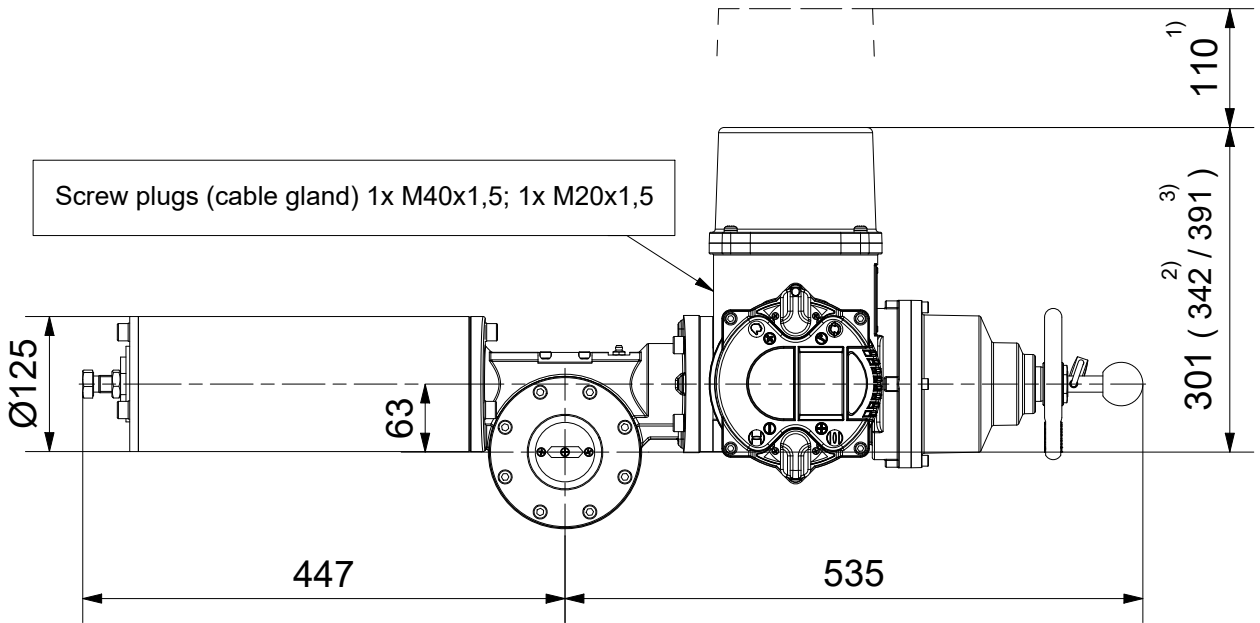
A-A ( 1 : 3 )

Coupling

Parallelkey groove acc.to DIN6885  
max.Ø25 / max.□22 (directly Ø38/□30)



Screw plugs (cable gland) 1x M40x1,5; 1x M20x1,5



- 1) Space required for removing cover
- 2) for ex terminal box with bus connection "DP"
- 3) for 3 phase version "SDC480"



**SCHIEBEL**

Dimensions

All dimensions in mm

M-CM03FSQT30-21-1E

**Actusafe 90° HA**

exCM03FSQT30 with Handwheel, F07+F10

Type: Failsafe OPEN= ccw turning, max. 300Nm

Antriebstechnik  
Gesellschaft m.b.H.  
Josef Benc Gasse 4  
A - 1230 Vienna

	Dated	Name
drawn	12.04.2019	H.Mayer
checked		

