

4

3

2

1

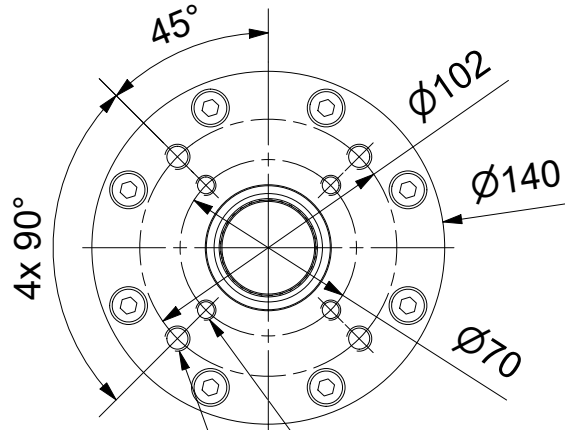
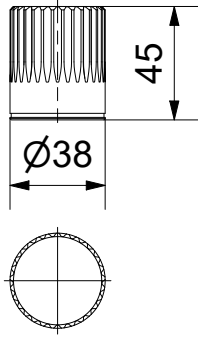
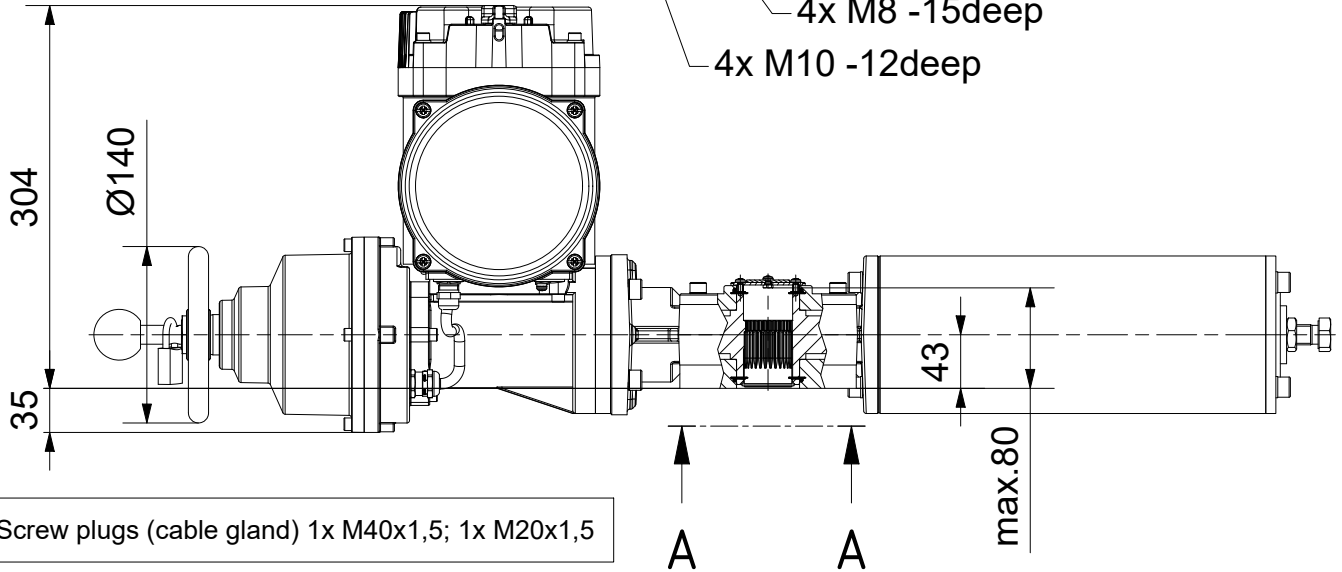
## Coupling

Parallelkey groove acc.to DIN6885

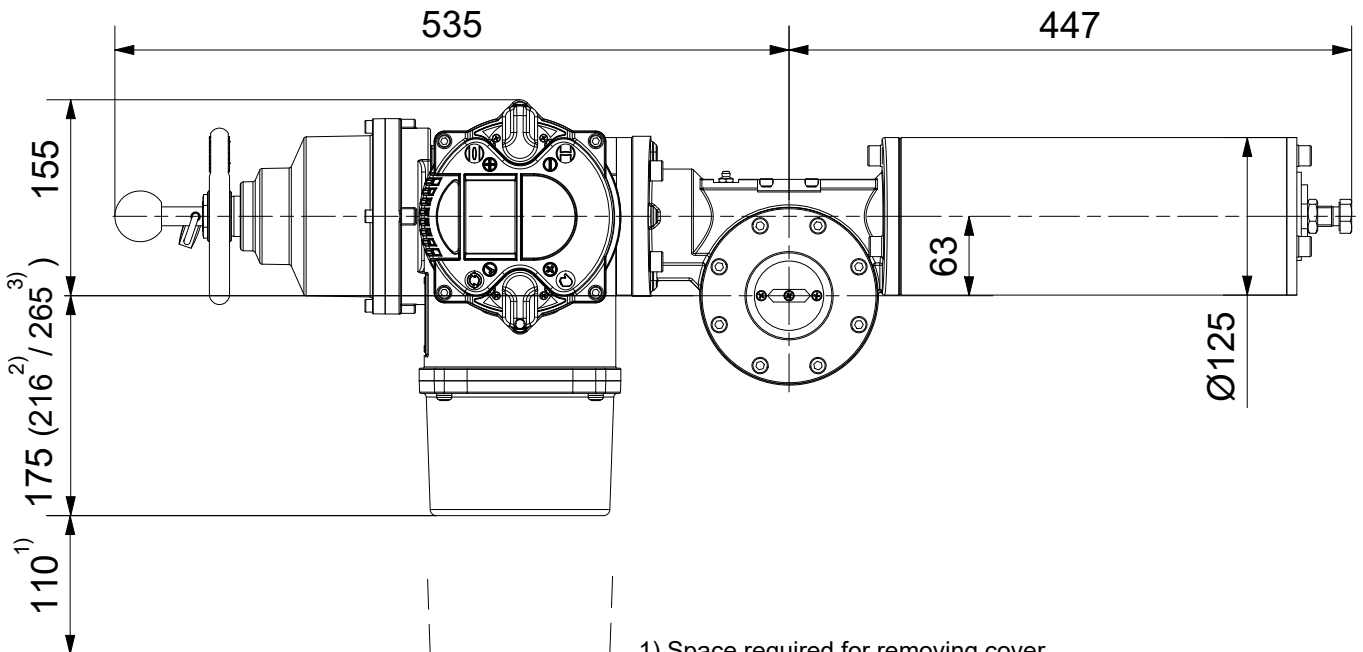
max.Ø25 / max.□22 (directly Ø38/□30)

Output Drive: F07, F10 acc. DIN5211

A-A ( 1 : 3 )

4x M8 -15deep  
4x M10 -12deep

Screw plugs (cable gland) 1x M40x1,5; 1x M20x1,5



- 1) Space required for removing cover
- 2) for ex terminal box with bus connection "DP"
- 3) for 3 phase version "SDC480"

**SCHIEBEL**

## Dimensions

All dimensions in mm

M-CM03FSQT30-21E

## Actusafe 90° HA

exCM03FSQT30 with handwheel, F07+F10

Type: Failsafe CLOSE= cw turning, max. 300Nm

Antriebstechnik  
Gesellschaft m.b.H.  
Josef Benc Gasse 4  
A - 1230 Vienna

	Dated	Name
drawn	12.04.2019	H.Mayer
checked		

G:\Inventor\Antrieb+Getriebe\Failsafe\FSQT\CM03FSQT30\M-CM03FSQT30-21E.idw



4

3

2

1