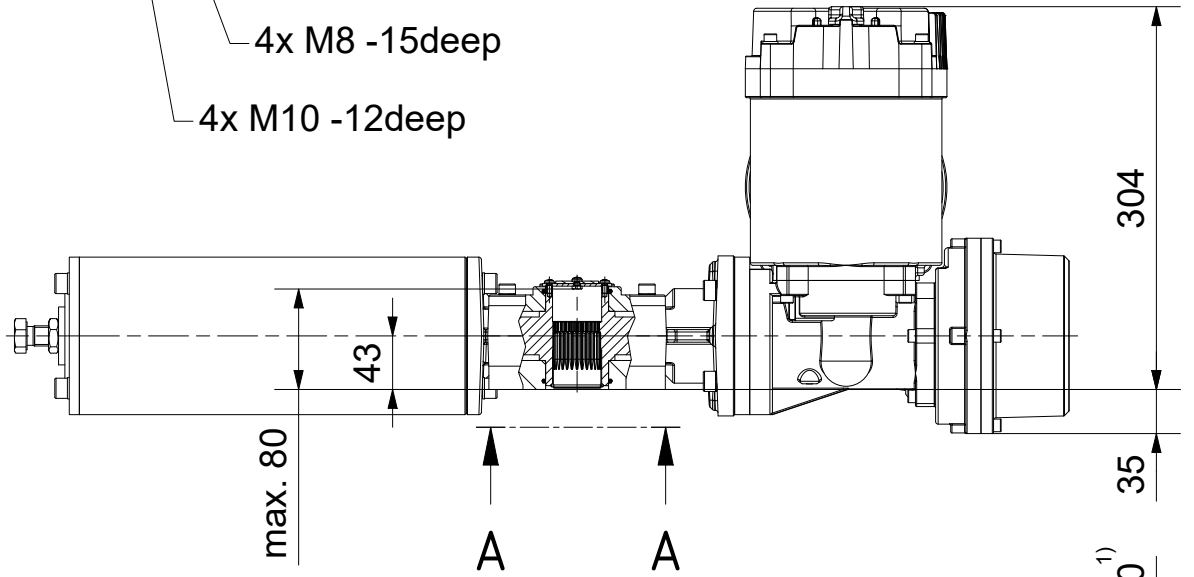
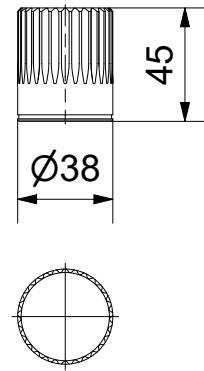
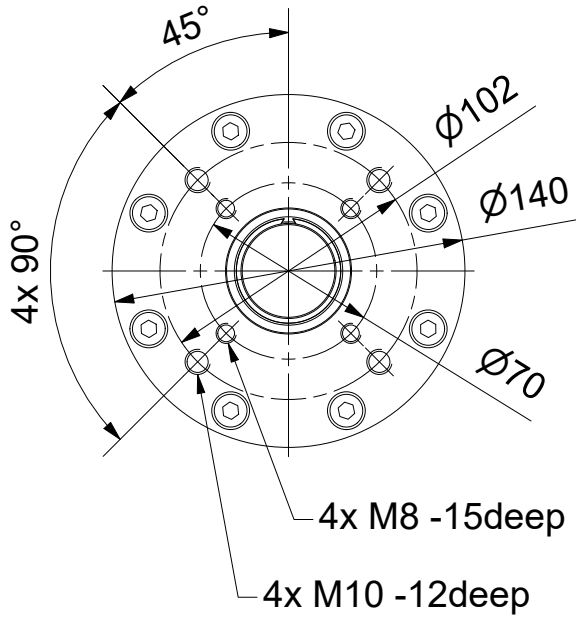


Output Drive: F07, F10 acc. EN ISO 5211

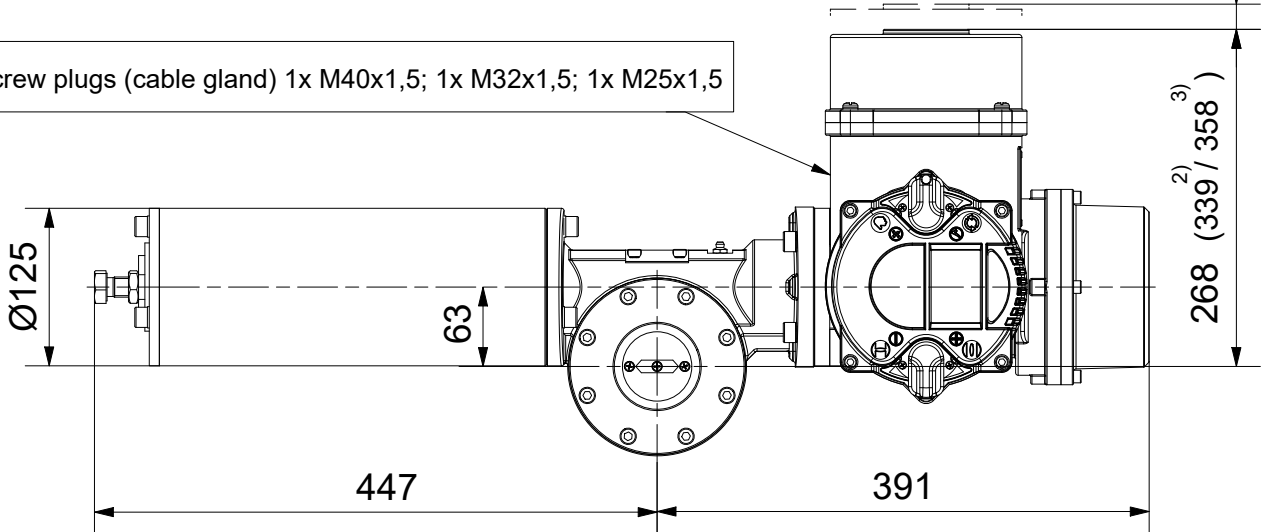
A-A (1 : 3)

Coupling

Parallelkey groove acc.to DIN6885  
max.Ø25 / max.□22 (directly Ø38/□30)



Screw plugs (cable gland) 1x M40x1,5; 1x M32x1,5; 1x M25x1,5



- 1) Space required for removing cover
- 2) for bus connection "DP"
- 3) for 3 phase version "SDC480"

**SCHIEBEL**

Dimensions

All dimensions in mm

M-CM03FSQT30-22-1E

Actusafe 90°

CM03FSQT30 F07+F10

Type: Failsafe OPEN= ccw turning, max. 300Nm

	Dated	Name
drawn	20.03.2019	H.Mayer
checked		

G:\Inventor\Antrieb+Getriebe\Failsafe\FSQT\CM03FSQT30\M-CM03FSQT30-22-1E.idw

