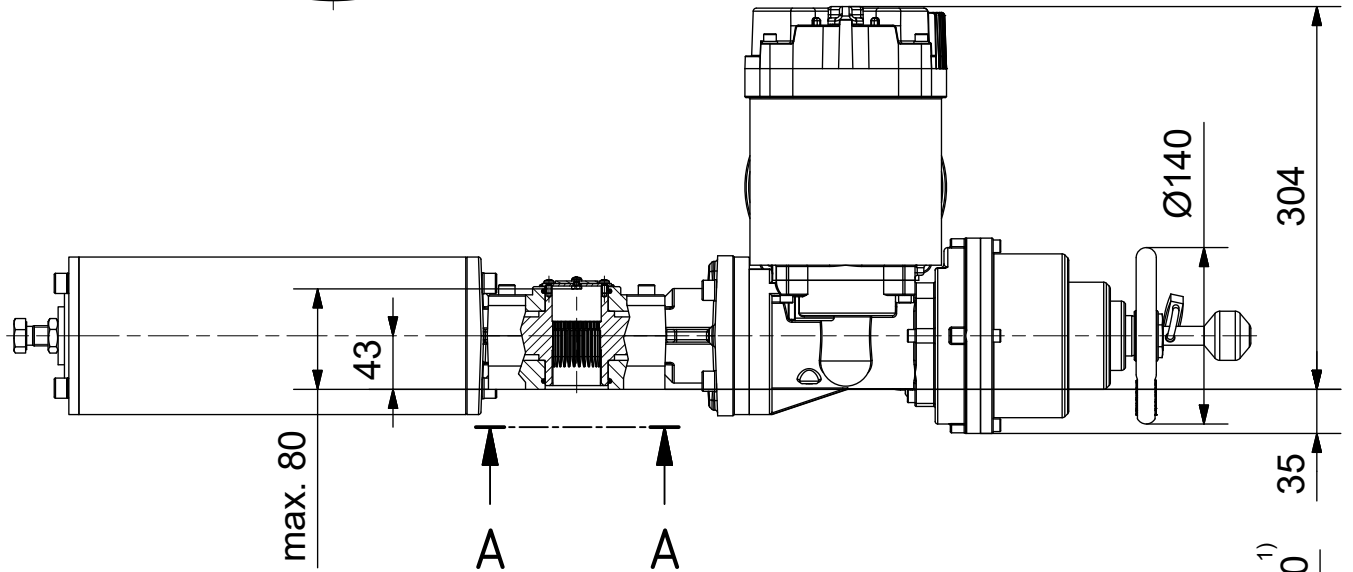
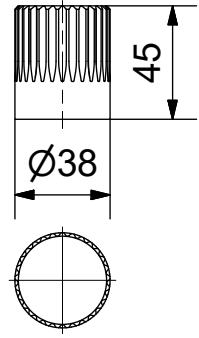
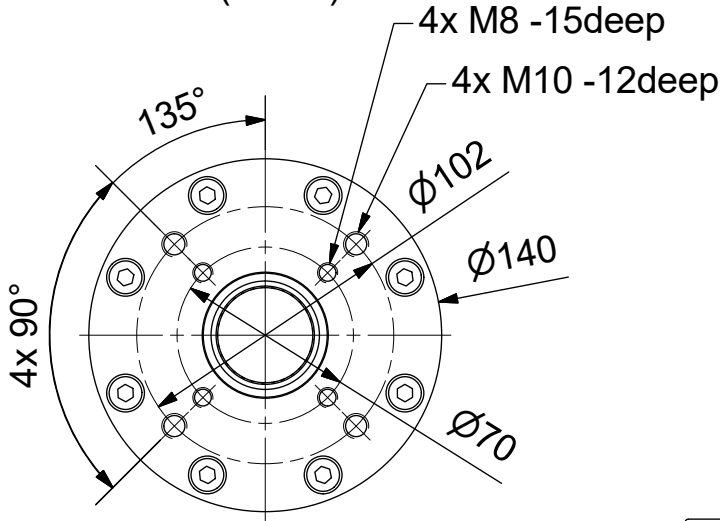


Output Drive: F07, F10 acc. EN ISO 5211

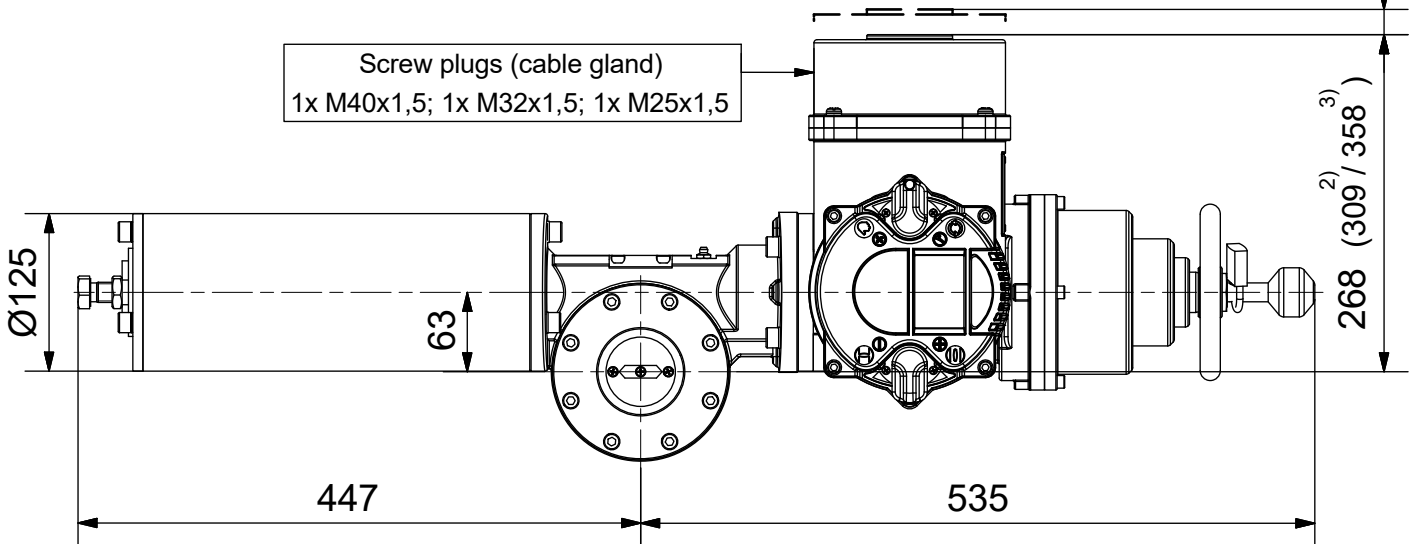
Coupling

Parallelkey groove acc.to DIN6885
max.Ø25 / max.□22

A-A (1 : 3)



Screw plugs (cable gland)
1x M40x1,5; 1x M32x1,5; 1x M25x1,5



- 1) Space required for removing cover
- 2) for ex terminal box with bus connection "DP"
- 3) for 3 phase version "SDC480"

All dimensions in mm

SCHIEBEL

Dimensions

Actusafe 90° HA

CM03FSQT30 with Handwheel, F07+F10
Type: Failsafe OPEN= ccw turning, max. 300Nm

M-CM03FSQT30-23-1E

	Dated	Name
drawn	28.03.2019	H.Mayer
checked		

