

4

3

2

1

Coupling

Parallelkey groove acc.to DIN6885

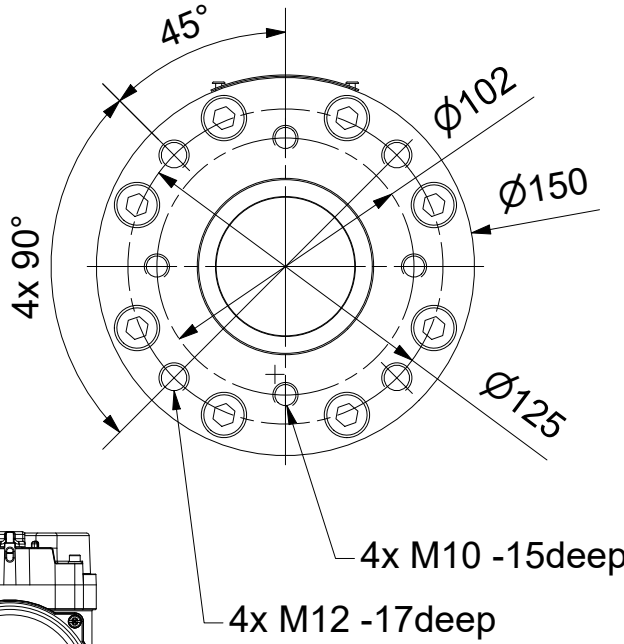
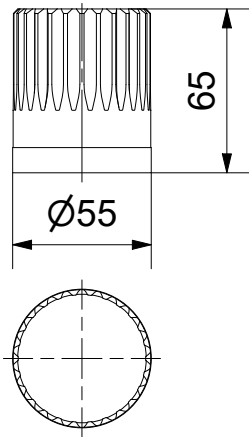
max.Ø40 / max.□32 (directly Ø55/□45)

A-A (1 : 3)

Output Drive: F10, F12 acc. DIN5211

F

F

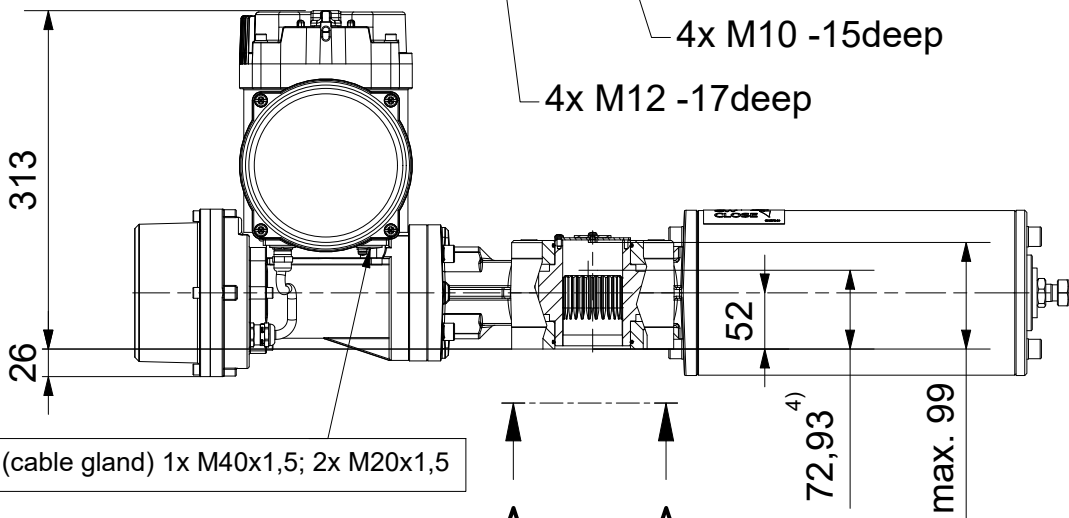


E

E

D

D



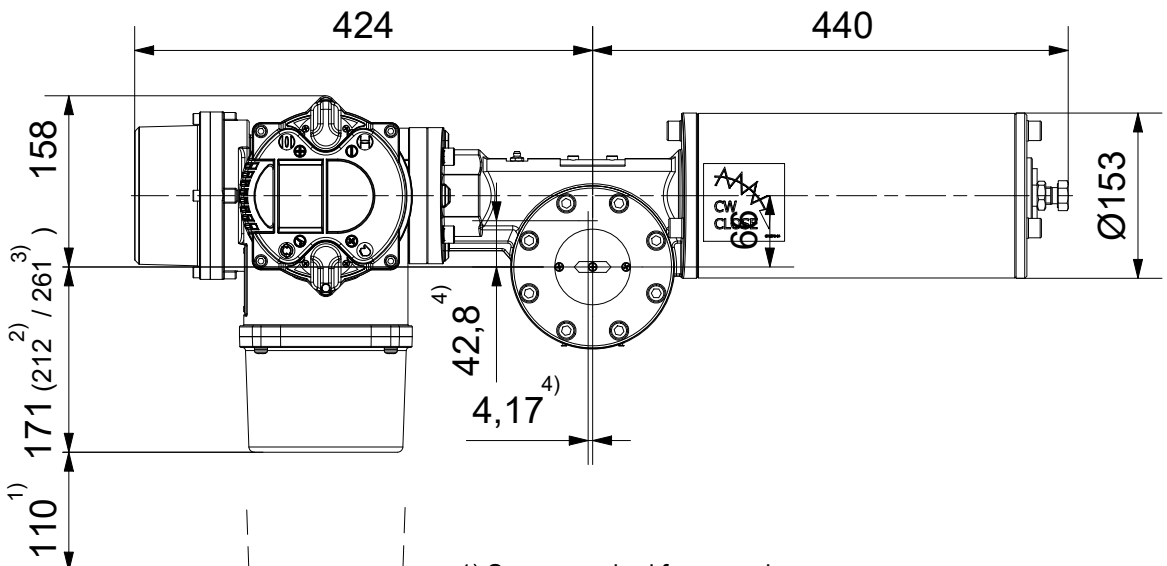
Screw plugs (cable gland) 1x M40x1,5; 2x M20x1,5

A

A

C

C



B

B

- 1) Space required for removing cover
- 2) for ex terminal box with bus connection "DP"
- 3) for 3 phase version "SDC480"
- 4) center of gravity COG, Actuator weight: 58kg

**SCHIEBEL**

Dimensions

All dimensions in mm

M-CM03FSQT60-20E

A

A

Antriebstechnik
Gesellschaft m.b.H.
Josef Benc Gasse 4
A - 1230 Vienna

Actusafe 90°
exCM03FSQT60 F10+F12
Type: Failsafe CLOSE= cw turning, max. 600Nm

	Dated	Name
drawn	09.11.2017	H.Mayer
checked		

G:\Inventor\Antrieb+Getriebe\Failsafe\FSQT\CM03FSQT60\M-CM03FSQT60-20E.idw



4

3

2

1