

4

3

2

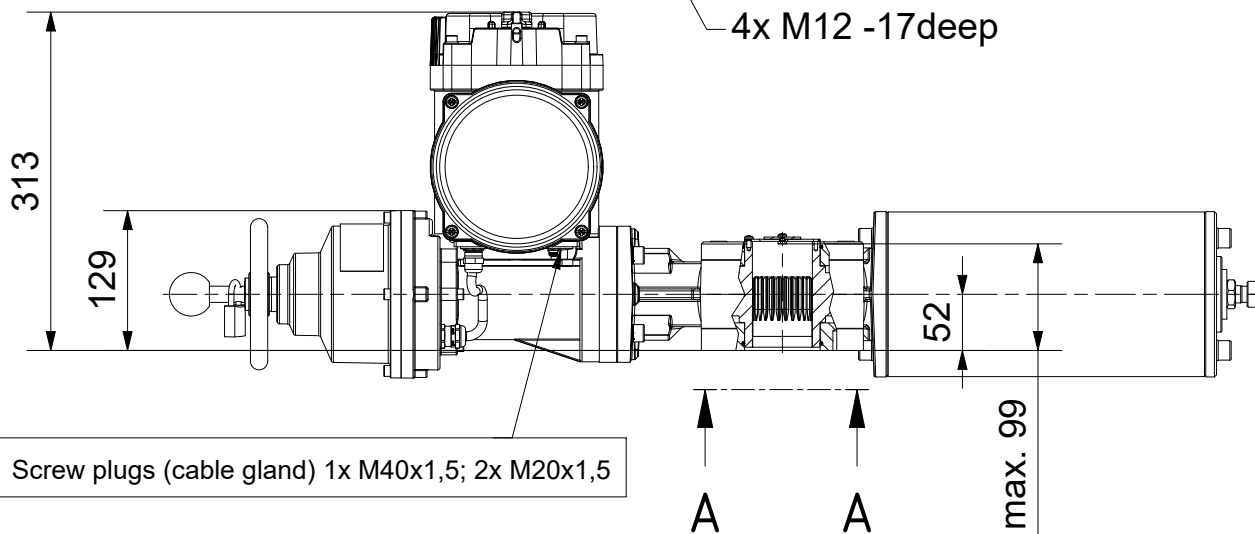
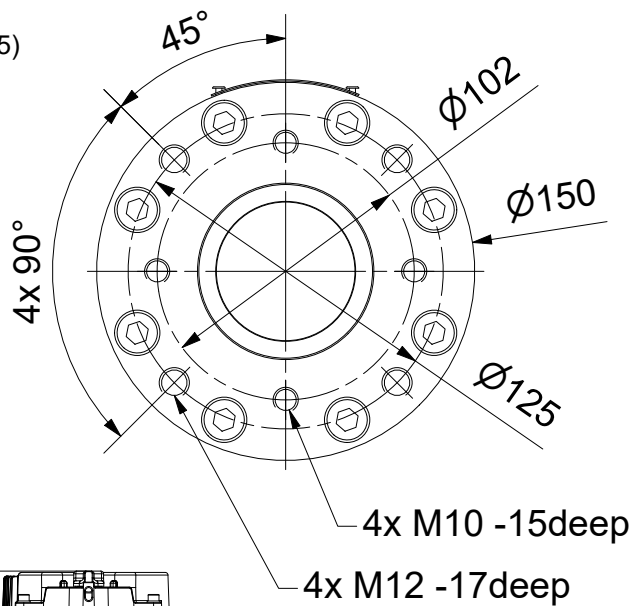
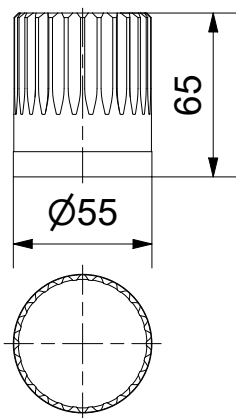
1

Coupling

Parallelkey groove acc.to DIN6885
max.Ø40 / max.□32 (directly Ø55/□45)

Output Drive: F10, F12 acc. DIN5211

A-A (1 : 3)



Screw plugs (cable gland) 1x M40x1,5; 2x M20x1,5

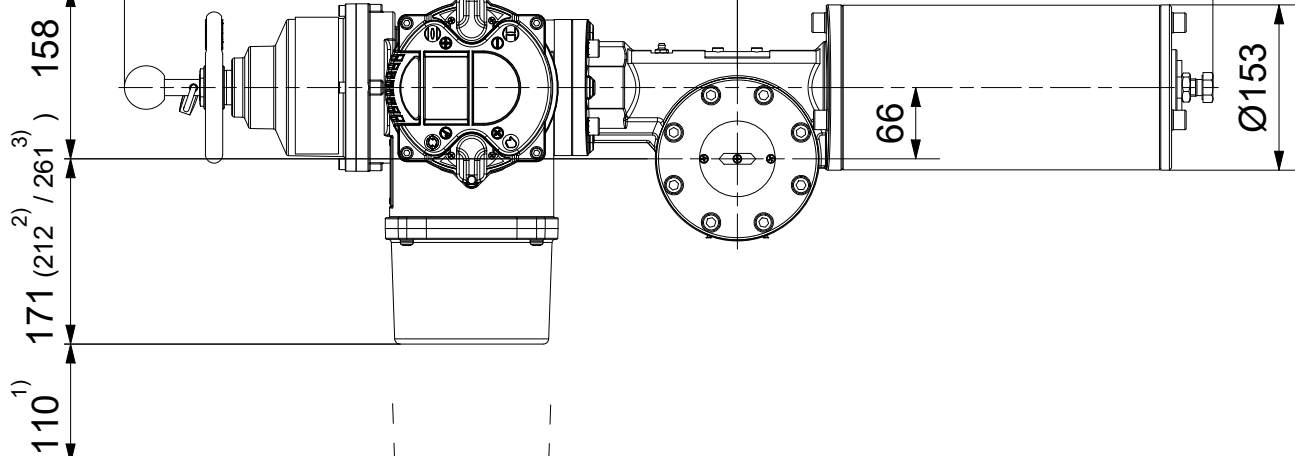
A

A

max. 99

567

440



- 1) Space required for removing cover
- 2) for ex terminal box with bus connection "DP"
- 3) for 3 phase version "SDC480"

**SCHIEBEL**

Dimensions

All dimensions in mm

M-CM03FSQT60-21E

Actusafe 90° HA

exCM03FSQT60 with handwheel, F10+F12
Type: Failsafe CLOSE= cw turning, max. 600Nm

	Dated	Name
drawn	09.11.2017	H.Mayer
checked		

G:\Inventor\Antrieb+Getriebe\Failsafe\FSQT\CM03FSQT60\M-CM03FSQT60-21E.idw



4

3

2

1