

4

3

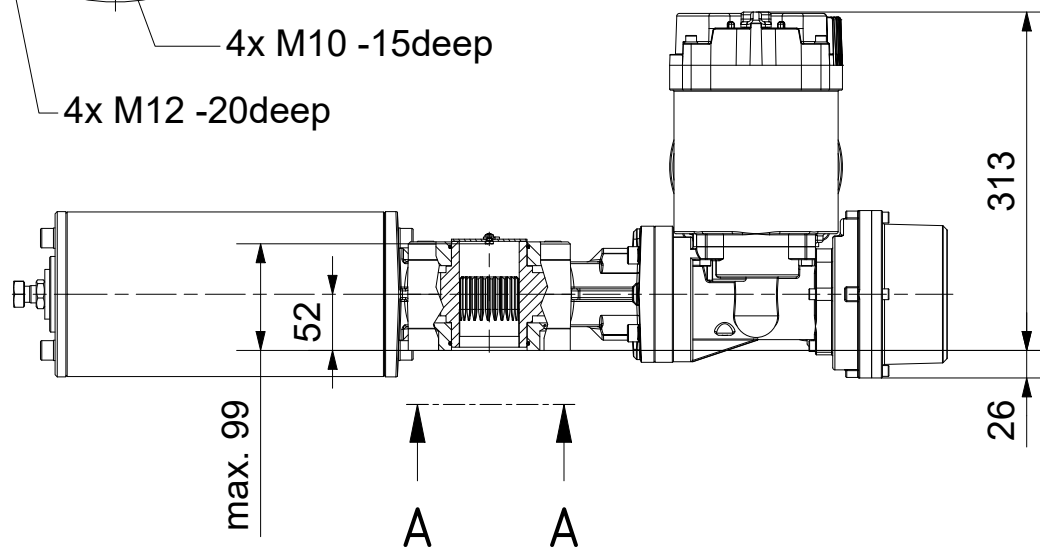
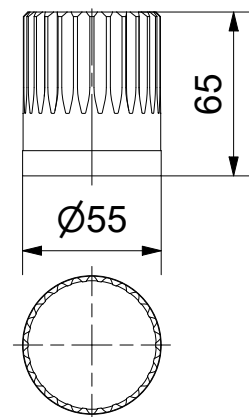
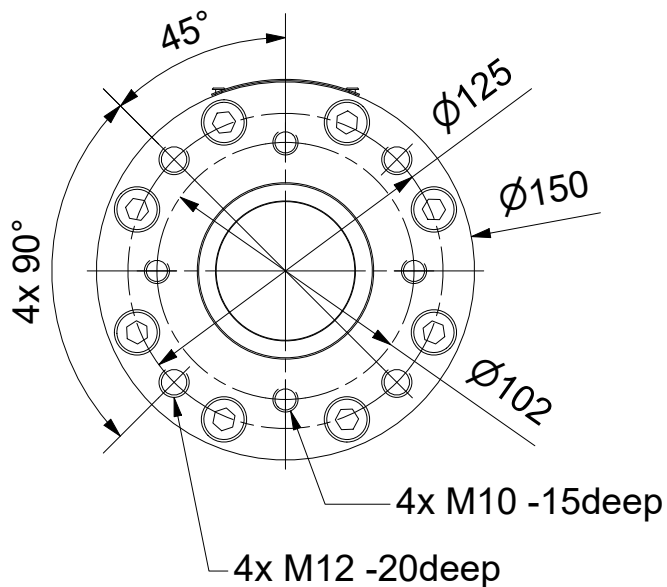
2

1

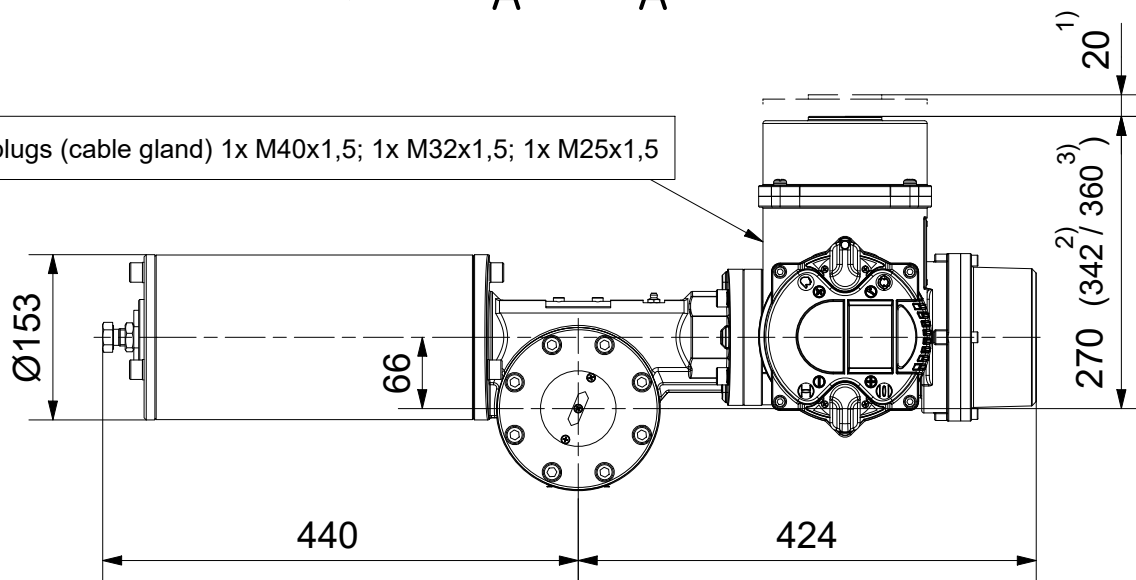
Output Drive: F10, F12 acc. EN ISO 5211

**Coupling**Parallelkey groove acc.to DIN6885  
max.Ø40 / max.□32 (directly Ø55/□45)

A-A (1 : 3)



Screw plugs (cable gland) 1x M40x1,5; 1x M32x1,5; 1x M25x1,5



1) Space required for removing cover

2) for ex terminal box with bus connection "DP"

3) for 3 phase version "SDC480"

**SCHIEBEL**

## Dimensions

All dimensions in mm

M-CM03FSQT60-22-1E

Actusafe 90°

CM03FSQT60 F10+F12

Type: Failsafe OPEN= ccw turning, 600Nm

Antriebstechnik  
Gesellschaft m.b.H.  
Josef Benc Gasse 4  
A - 1230 Vienna

|         | Dated      | Name    |
|---------|------------|---------|
| drawn   | 09.11.2017 | H.Mayer |
| checked |            |         |

G:\Inventor\Antrieb+Getriebe\Failsafe\FSQT\CM03FSQT60\M-CM03FSQT60-22-1E.idw



4

3

2

1