

4

3

2

1

Coupling

Parallelkey groove acc.to DIN6885

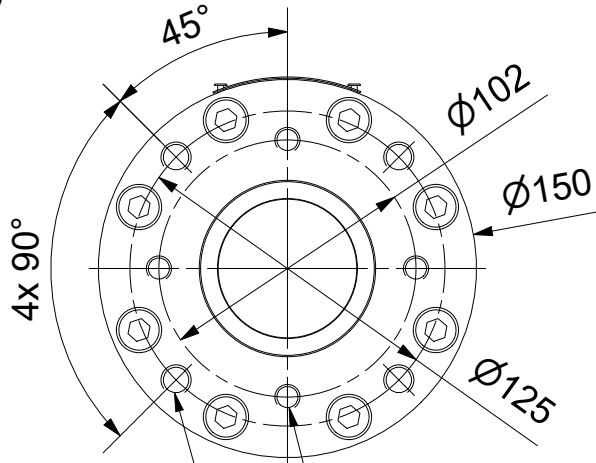
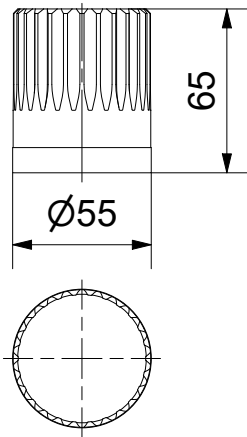
max.Ø40 / max.□32 (directly Ø55/□45)

A-A (1 : 3)

Output Drive: F10, F12 acc. DIN5211

F

F

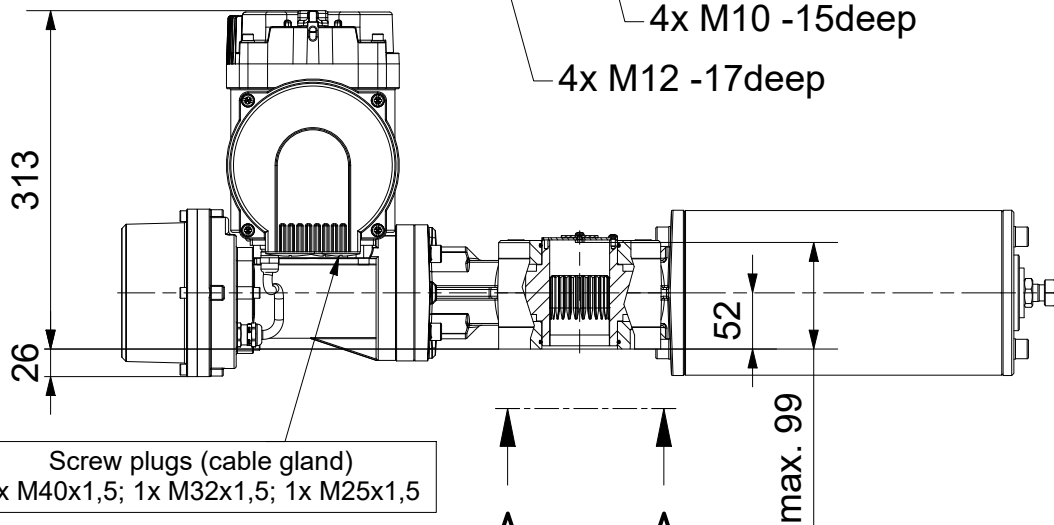


4x M10 -15deep

4x M12 -17deep

E

E

Screw plugs (cable gland)
1x M40x1,5; 1x M32x1,5; 1x M25x1,5

A

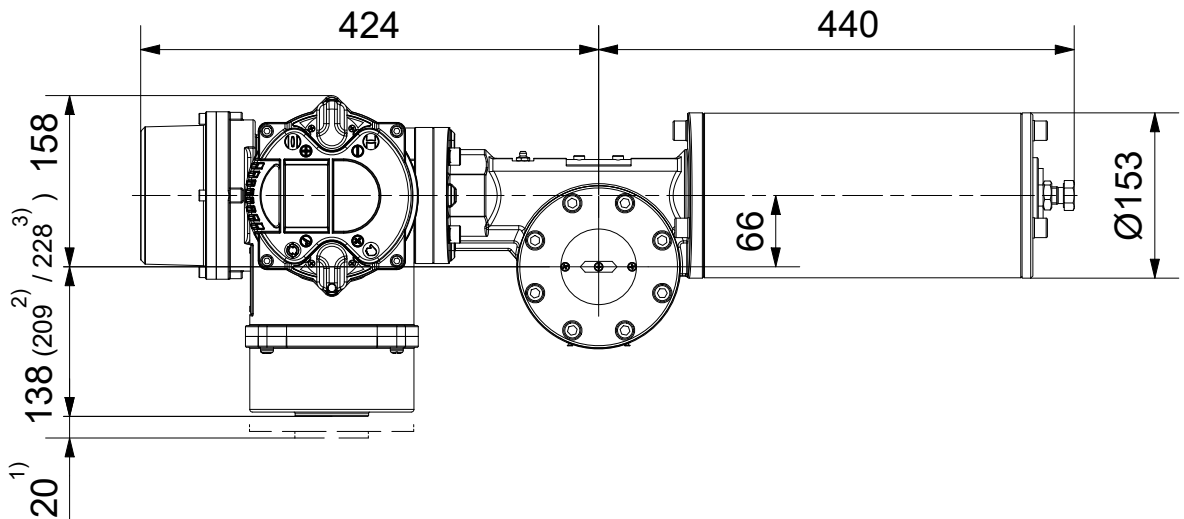
A

D

D

C

C



- 1) Space required for removing cover
2) for terminal box with bus connection "DP"
3) for 3 phase version "SDC480"

SCHIEBEL

Dimensions

All dimensions in mm

M-CM03FSQT60-22E

A

A

Antriebstechnik
Gesellschaft m.b.H.
Josef Benc Gasse 4
A - 1230 Vienna

Actusafe 90°
CM03FSQT60 F10+F12
Type: Failsafe CLOSE= cw turning, max. 600Nm

	Dated	Name
drawn	09.11.2017	H.Mayer
checked		

G:\Inventor\Antrieb+Getriebe\Failsafe\FSQT\CM03FSQT60\M-CM03FSQT60-22E.idw



4

3

2

1