

6

5

4

3

2

1

Coupling

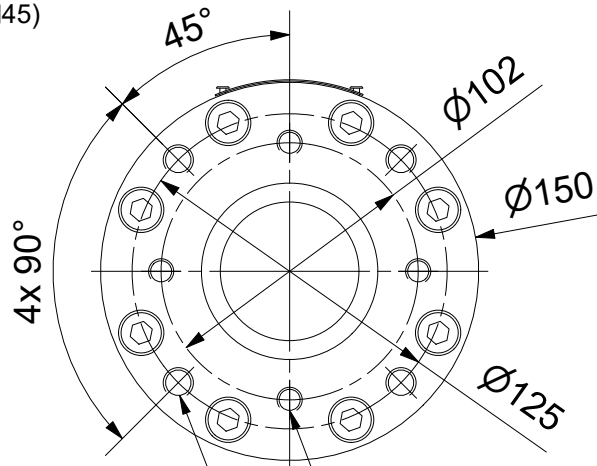
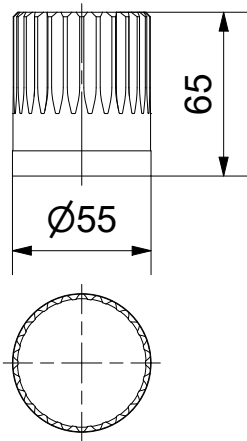
Parallelkey groove acc.to DIN6885

max.Ø40 / max.□32 (directly Ø55/□45)

Output Drive: F10, F12 acc. DIN5211

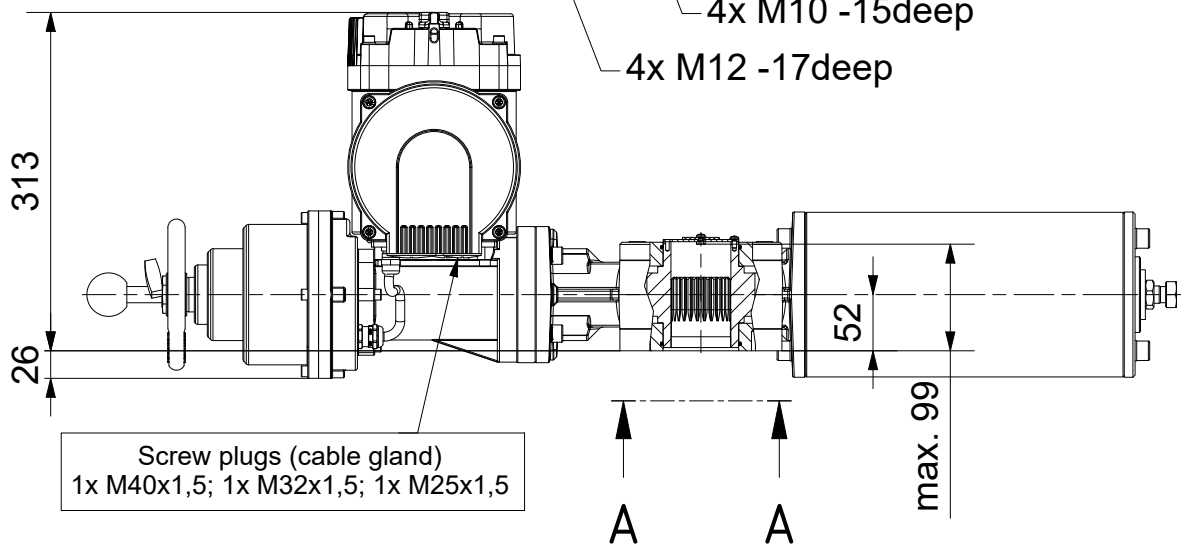
A-A (1 : 3)

D



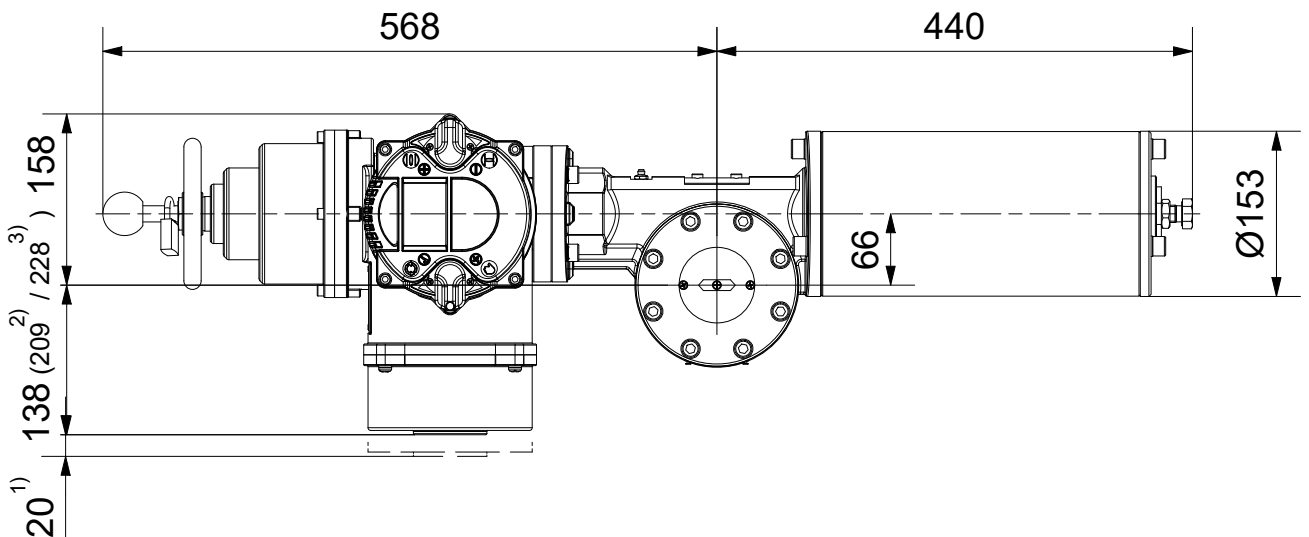
D

C



C

B



B

- 1) Space required for removing cover
- 2) for terminal box with bus connection "DP"
- 3) for 3 phase version "SDC480"

A

SCHIEBEL

Dimensions

All dimensions in mm

MCM03FSQT60-23E

Antriebstechnik
Gesellschaft m.b.H.
Josef Benc Gasse 4
A - 1230 Vienna

Actusafe 90° HA
CM03FSQT60 with handwheel F10+F12
Type: Failsafe CLOSE= cw turning, max. 600Nm

	Dated	Name
drawn	13.11.2017	H.Mayer
checked		

G:\Inventor\Antrieb+Getriebe\Failsafe\FSQT\CM03FSQT60\M-CM03FSQT60-23E.idw



6

5

4

3

2

1