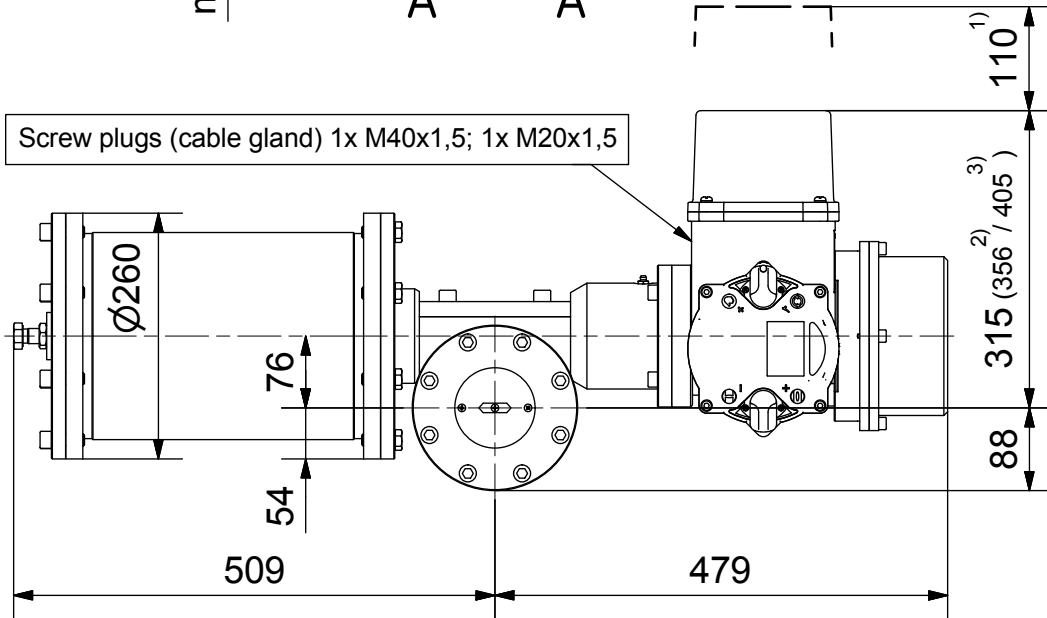
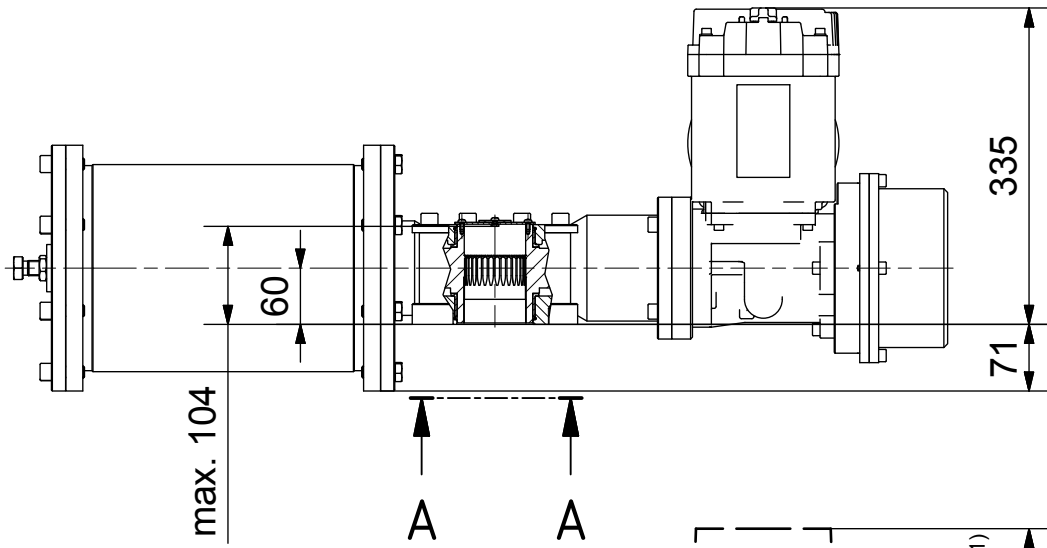
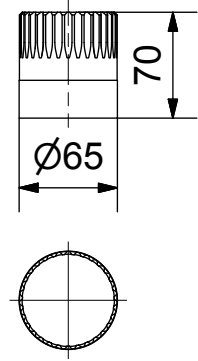
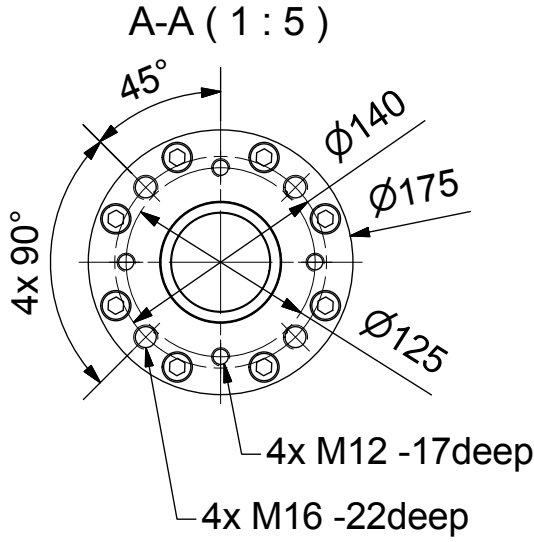


Output Drive: F12, F14 acc. DIN5211

Coupling

Parallelkey groove acc.to DIN6885
max.Ø49 / max.□41



- 1) Space required for removing cover
- 2) for ex terminal box with bus connection "DP"
- 3) for 3 phase version "SDC480"



SCHIEBEL

Dimensions

All dimensions in mm

M-CM06FSQT100-04-1E

Actusafe 90°

exCM06FSQT100 F12+F14

Type: Failsafe OPEN= ccw turning, 1000Nm

Antriebstechnik
Gesellschaft m.b.H.
Josef Benc Gasse 4
A - 1230 Vienna

| | Dated | Name |
|---------|------------|---------|
| drawn | 09.02.2017 | H.Mayer |
| checked | | |

