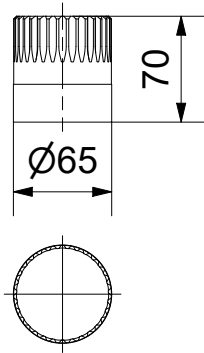


Coupling

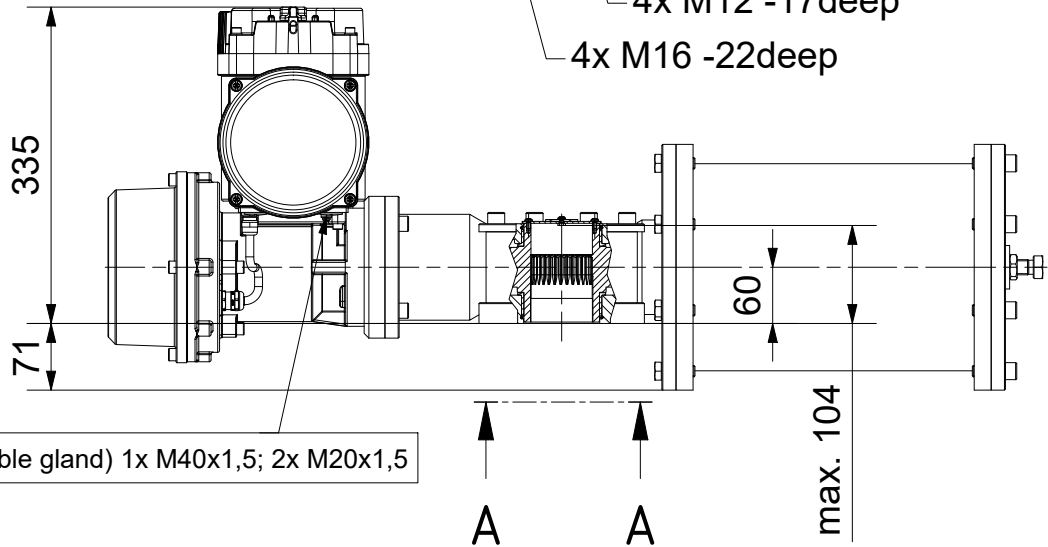
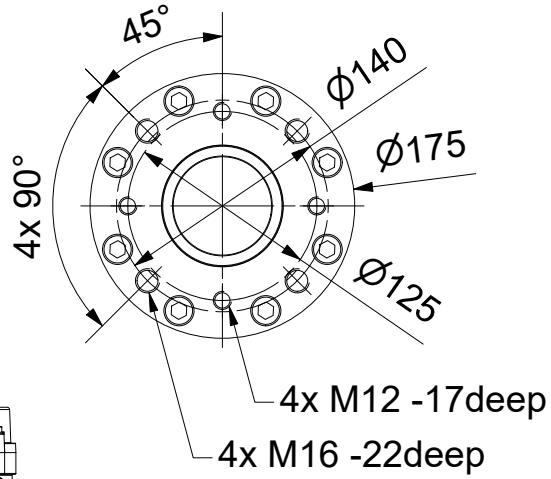
Parallelkey groove acc.to DIN6885

max.Ø49 / max.□41 (directly Ø64/□52)

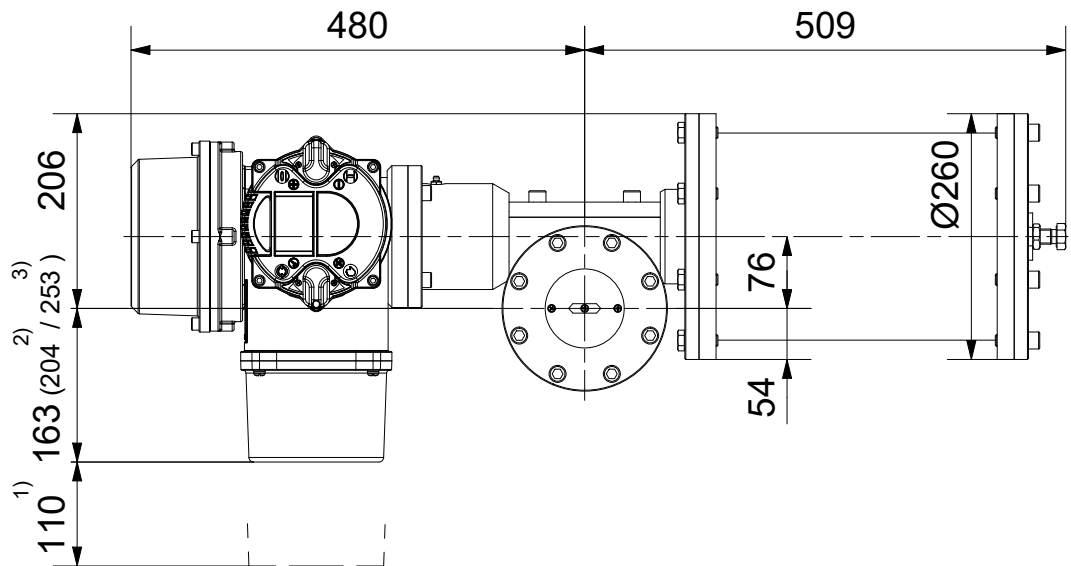
Output Drive: F12, F14 acc. DIN5211



A-A (1 : 5)



Screw plugs (cable gland) 1x M40x1,5; 2x M20x1,5



- 1) Space required for removing cover
- 2) for ex terminal box with bus connection "DP"
- 3) for 3 phase version "SDC480"



SCHIEBEL

Dimensions

All dimensions in mm

M-CM06FSQT100-04E

Actusafe 90°

exCM06FSQT100 F12+F14

Type: Failsafe CLOSE= cw turning, max. 1000Nm

Antriebstechnik
Gesellschaft m.b.H.
Josef Benc Gasse 4
A - 1230 Vienna

	Dated	Name
drawn	26.06.2017	H.Mayer
checked		

G:\Inventor\Antrieb+Getriebe\Failsafe\FSQT\CM06FSQT100\M-CM06FSQT100-04E.idw

