

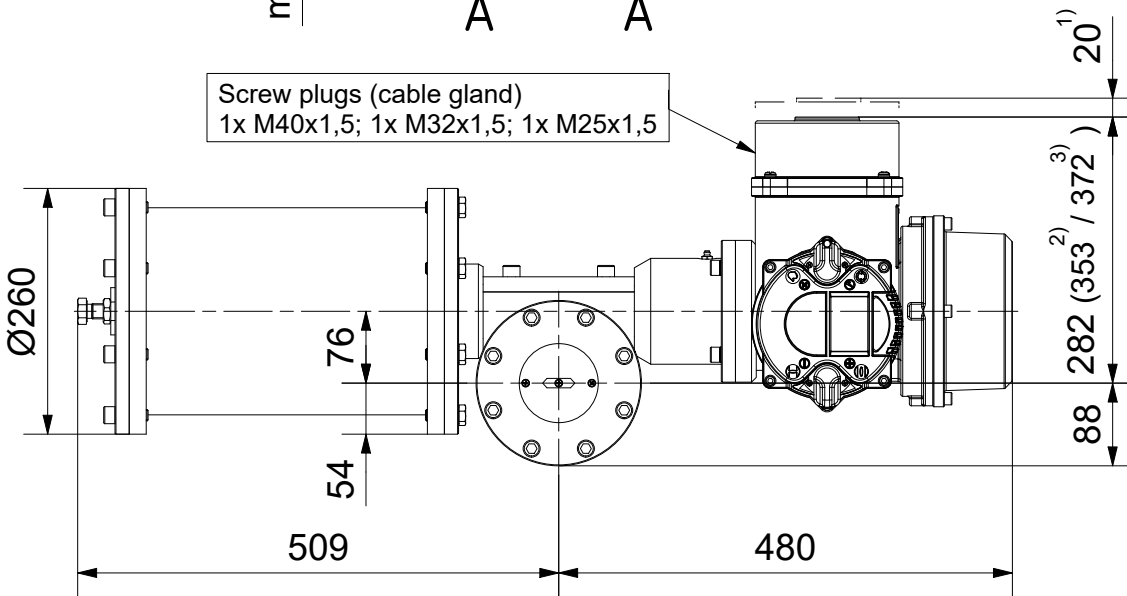
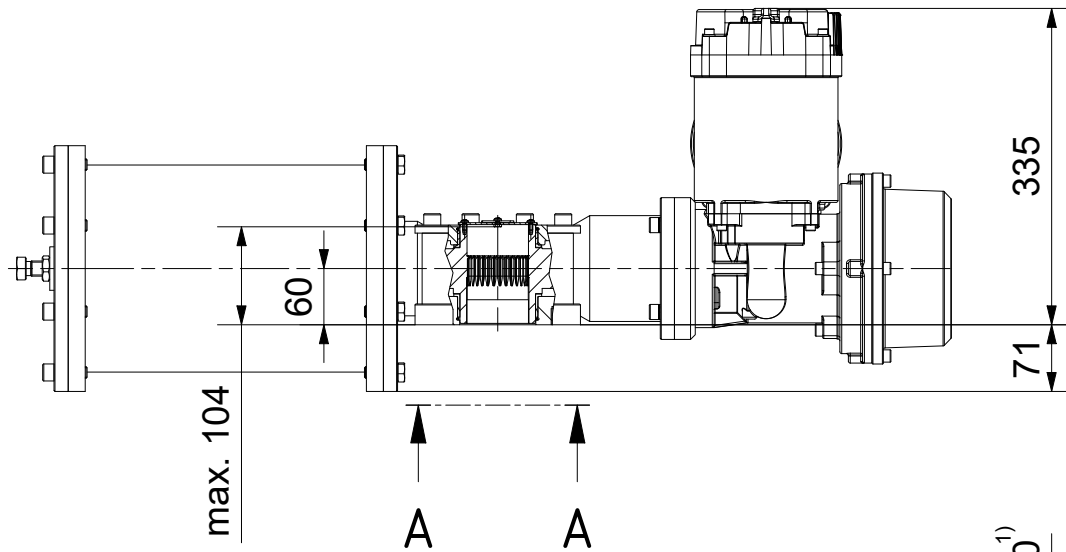
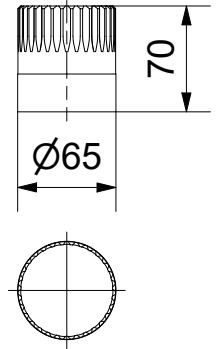
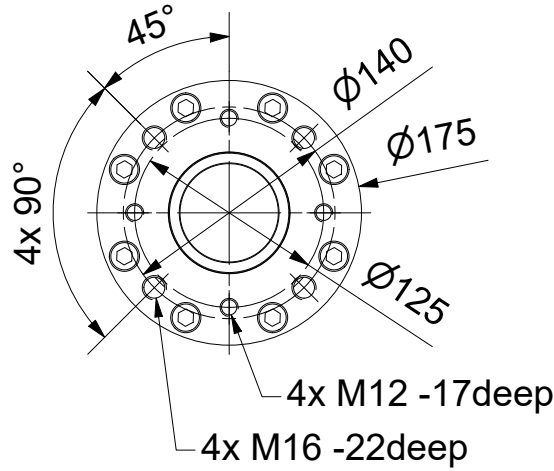
Output Drive: F12, F14 acc. DIN5211

A-A ( 1 : 5 )

Coupling

Parallelkey groove acc.to DIN6885

max.Ø49 / max.□41 (directly Ø64/□52)



- 1) Space required for removing cover
- 2) for ex terminal box with bus connection "DP"
- 3) for 3 phase version "SDC480"

**SCHIEBEL**

Dimensions

All dimensions in mm

M-CM06FSQT100-06-1E

Actusafe 90°

CM06FSQT100 F12+F14

Type: Failsafe OPEN= ccw turning, 1000Nm

Antriebstechnik  
Gesellschaft m.b.H.  
Josef Benc Gasse 4  
A - 1230 Vienna

	Dated	Name
drawn	14.02.2017	H.Mayer
checked		

G:\Inventor\Antrieb+Getriebe\Failsafe\FSQT\CM06FSQT100\M-CM06FSQT100-06-1E.idw

