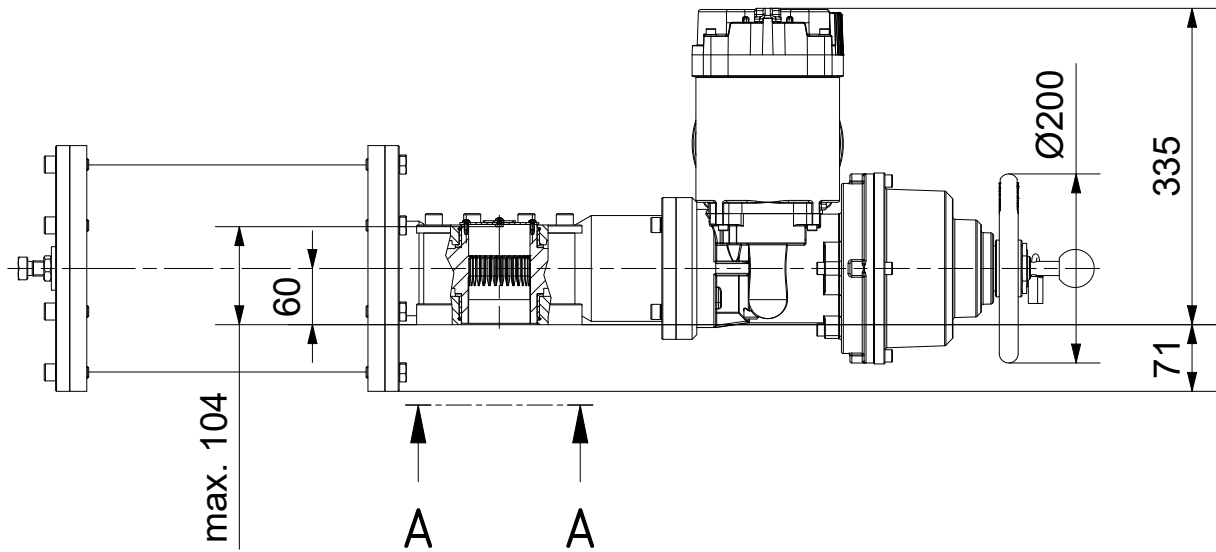
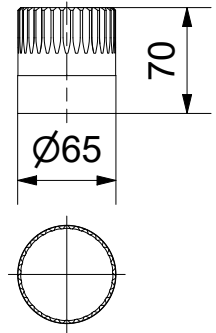
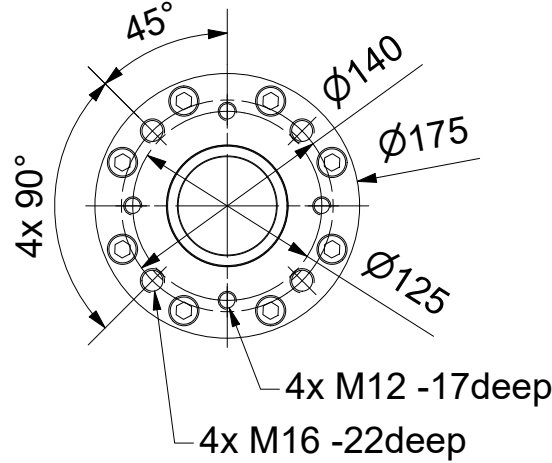


Output Drive: F12, F14 acc. DIN5211

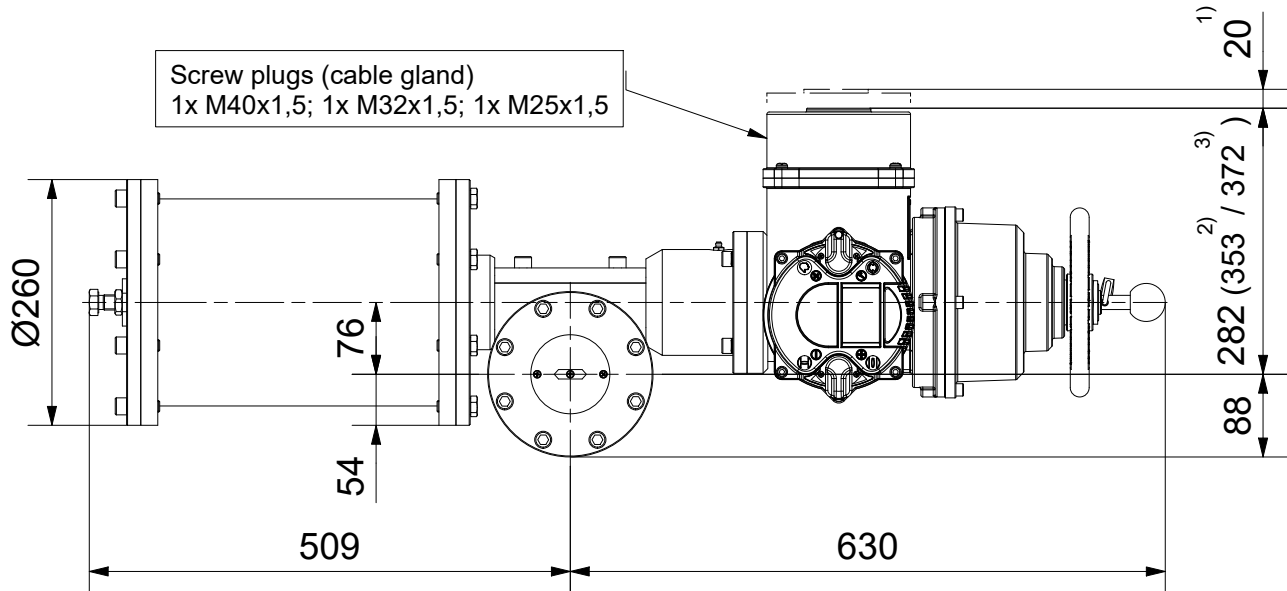
A-A (1 : 5)

Coupling

Parallelkey groove acc.to DIN6885
max.Ø49 / max.□41 (directly Ø64/□52)



Screw plugs (cable gland)
1x M40x1,5; 1x M32x1,5; 1x M25x1,5



- 1) Space required for removing cover
- 2) for ex terminal box with bus connection "DP"
- 3) for 3 phase version "SDC480"

SCHIEBEL

Dimensions

All dimensions in mm

M-CM06FSQT100-07-1E

Actusafe 90° HA

CM06FSQT100 with handwheel, F12+F14
Type: Failsafe OPEN= ccw turning, 1000Nm

	Dated	Name
drawn	14.02.2017	H.Mayer
checked		

