

4

3

2

1

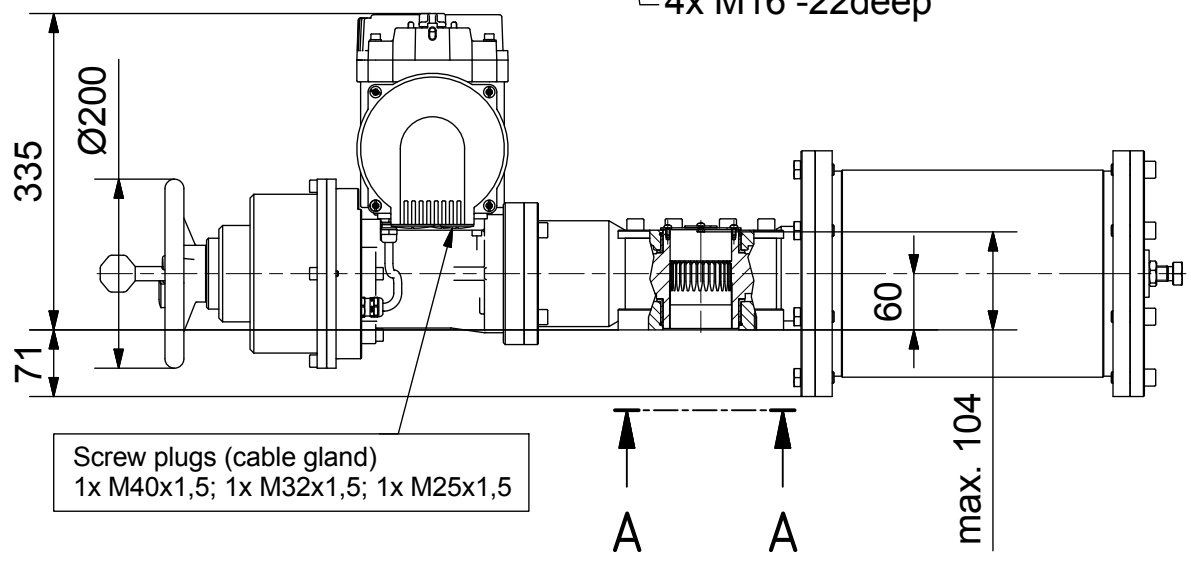
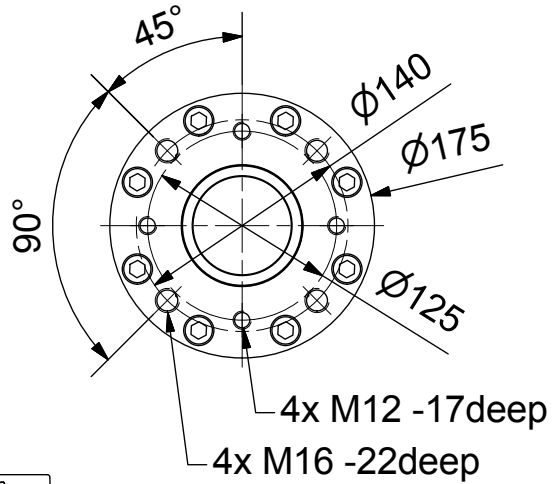
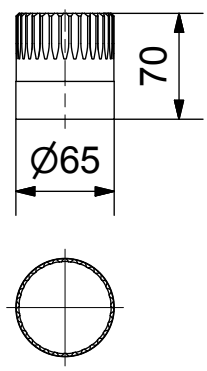
Coupling

Output Drive: F12, F14 acc. DIN5211

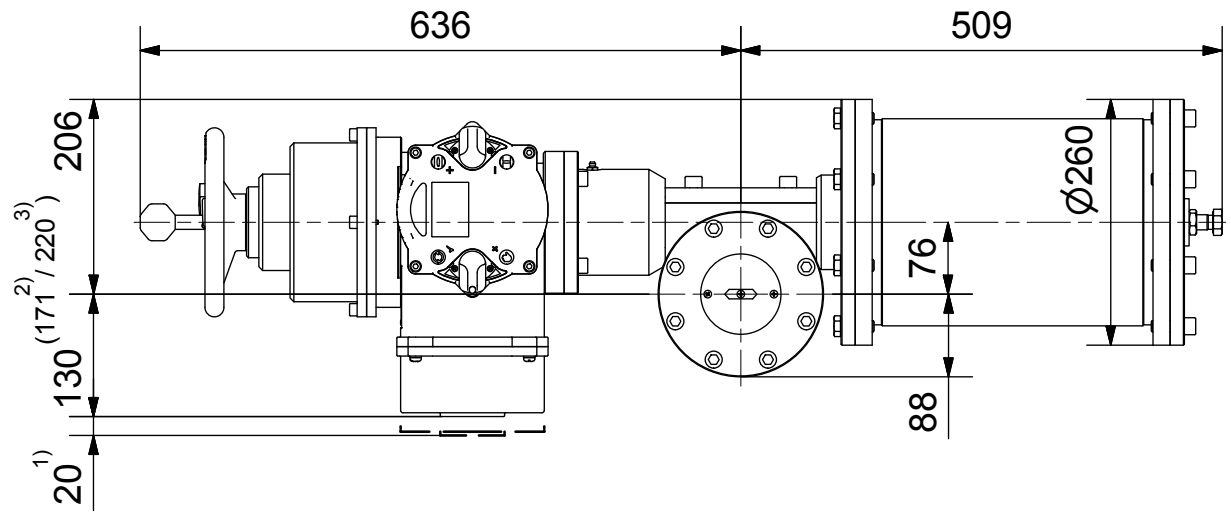
Parallelkey groove acc.to DIN6885

max.Ø49 / max.□41

A-A (1 : 5)



Screw plugs (cable gland)
 1x M40x1,5; 1x M32x1,5; 1x M25x1,5



- 1) Space required for removing cover
- 2) for ex terminal box with bus connection "DP"
- 3) for 3 phase version "SDC480"

SCHIEBEL

Dimensions

All dimensions in mm

Actusafe 90° HA

CM06FSQT100 with handwheel, F12+F14
 Type: Failsafe CLOSE= cw turning, max. 1000Nm

M-CM06FSQT100-07E

	Dated	Name
drawn	14.02.2017	H.Mayer
checked		

Antriebstechnik
 Gesellschaft m.b.H.
 Josef Benc Gasse 4
 A - 1230 Vienna

