

4

3

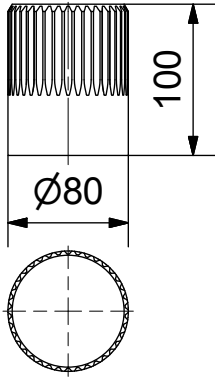
2

1

## Coupling

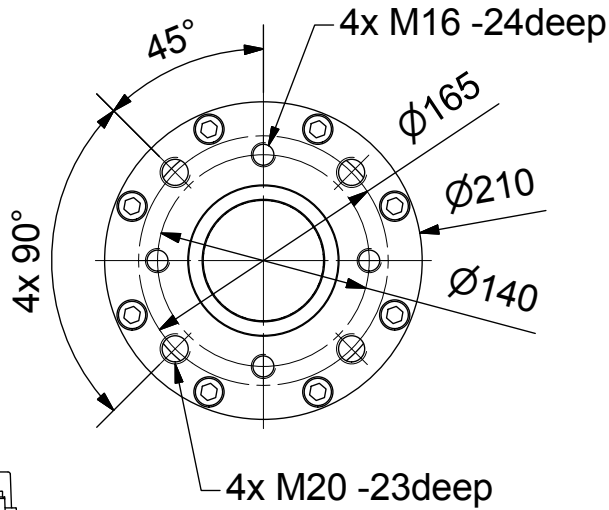
Parallelkey groove acc.to DIN6885

max.Ø60 / max.□48



Output Drive: F14, F16 acc. DIN5211

## A-A (1:5)



F

F

E

E

D

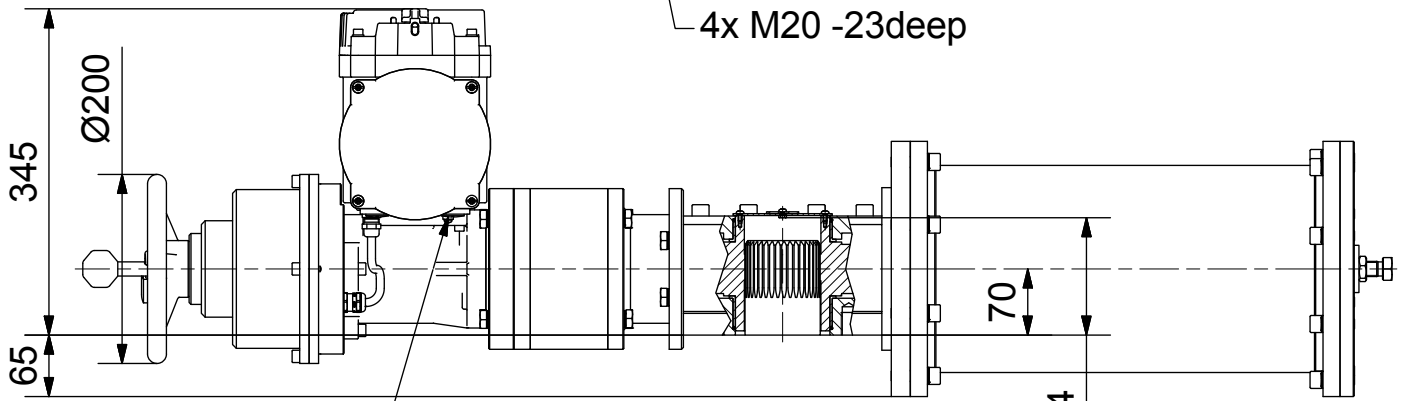
D

C

C

B

B



Screw plugs (cable gland) 1x M40x1,5; 1x M20x1,5

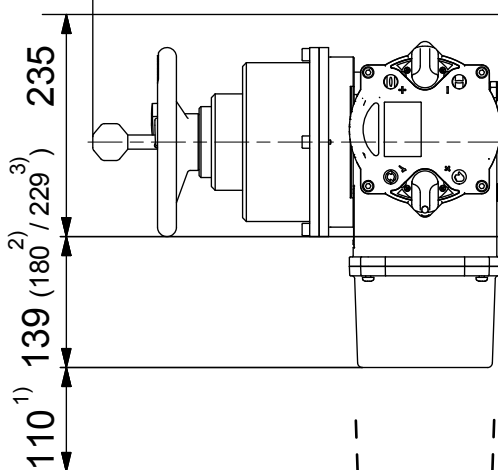
A

A

max. 124

741

645



Ø270

100

35

- 1) Space required for removing cover
- 2) for ex terminal box with bus connection "DP"
- 3) for 3 phase version "SDC480"



## REVISIONSVERLAUF

REV.	BESCHREIBUNG	DATUM	AUTOR	GENEHMIGT
A	Length of spring housing	06.09.2016	H.Mayer	KL

**SCHIEBEL**

## Dimensions

All dimensions in mm

## Actusafe 90° HA

exCM06FSQT200 with handwheel, F14+F16  
Type: Failsafe CLOSE =cw turning, max. 2000Nm

M-CM06FSQT200-05E

	Dated	Name
drawn	16.08.2016	H.Mayer
checked		

G:\Inventor\Failsafe\CMF\SQT\CM06FSQT200\M-CM06FSQT200-05Ea.idw



4

3

2

1

A

A