

4

3

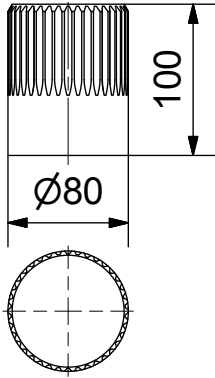
2

1

Coupling

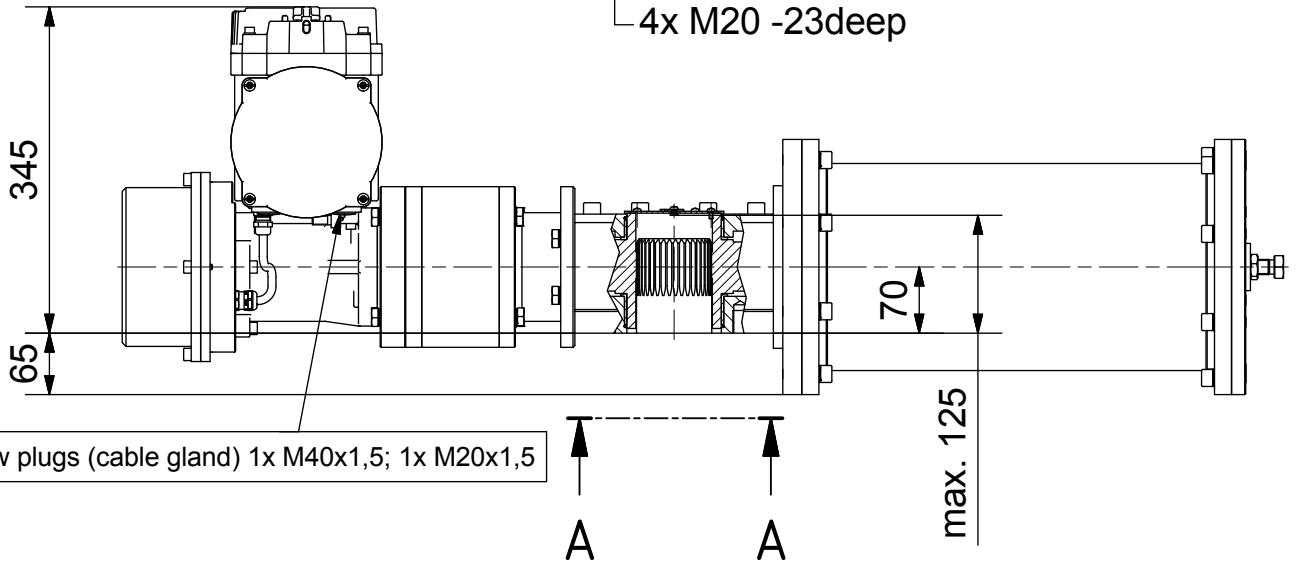
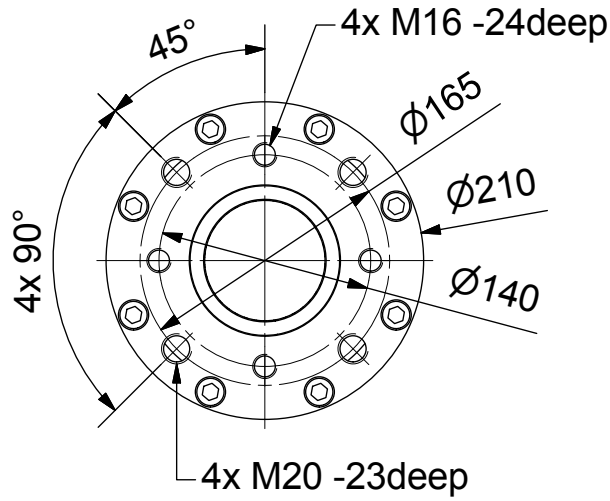
Parallelkey groove acc.to DIN6885

max.Ø60 / max.□48

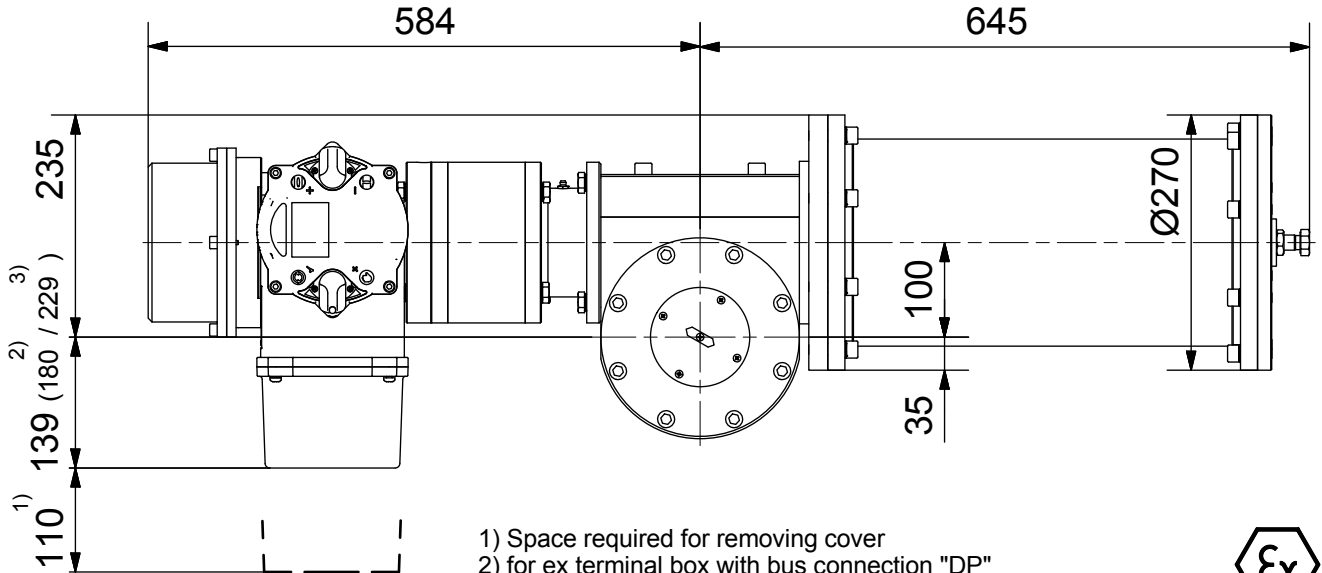


Output Drive: F14, F16 acc. DIN5211

A-A (1 : 5)



Screw plugs (cable gland) 1x M40x1,5; 1x M20x1,5



- 1) Space required for removing cover
- 2) for ex terminal box with bus connection "DP"
- 3) for 3 phase version "SDC480"



REVISIONSVERLAUF

REV.	BESCHREIBUNG	DATUM	AUTOR	GENEHMIGT
A	Length of spring housing	06.09.2016	H.Mayer	KL

SCHIEBEL

Dimensions

All dimensions in mm

Actusafe 90°

exCM06FSQT200 F14+F16

Type: Failsafe CLOSE =cw turning, max. 2000Nm

M-CM06FSQT200-06E

	Dated	Name
drawn	16.08.2016	H.Mayer
checked		

G:\Inventor\Failsafe\CMFSQT\CM06FSQT200\M-CM06FSQT200-06Ea.idw



4

3

2

1