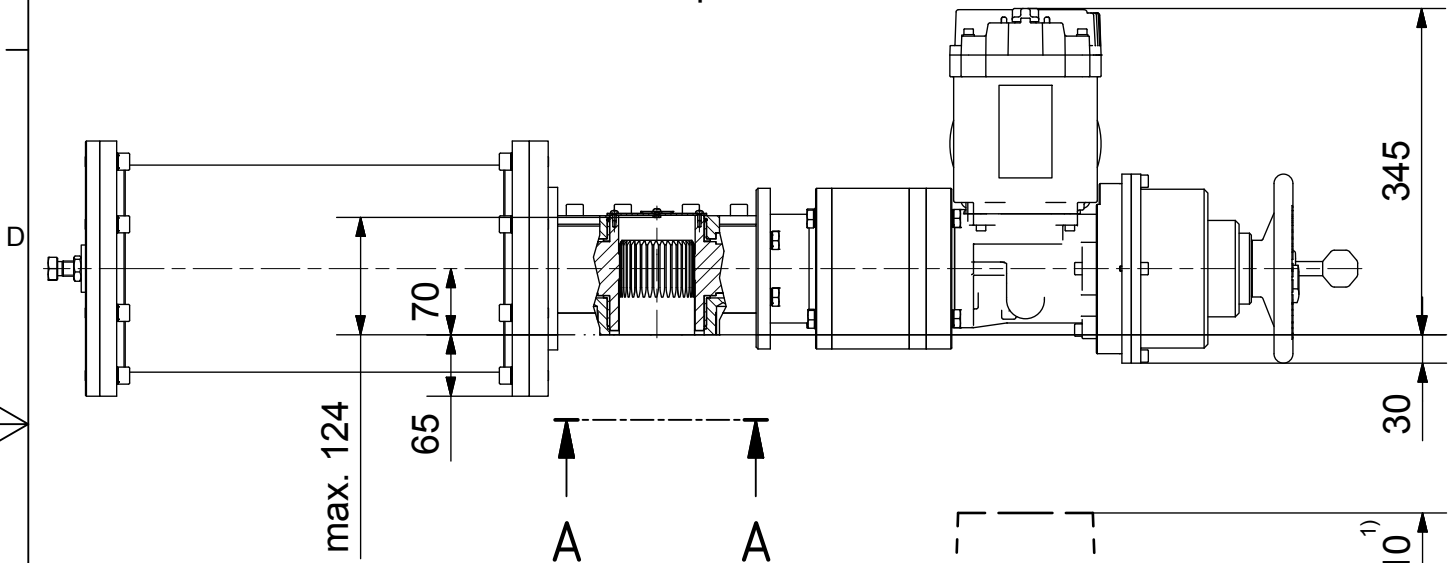
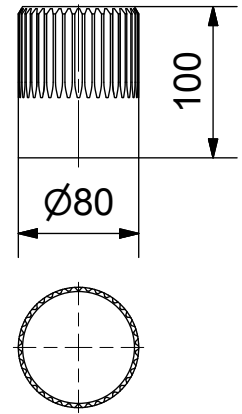
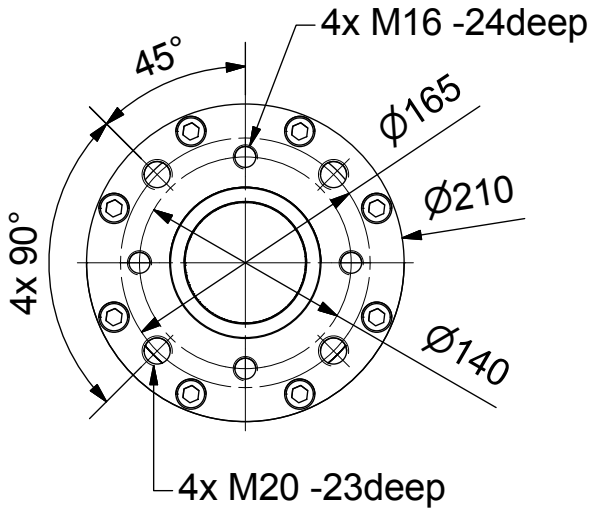


Output Drive: F14, F16 acc. DIN5211

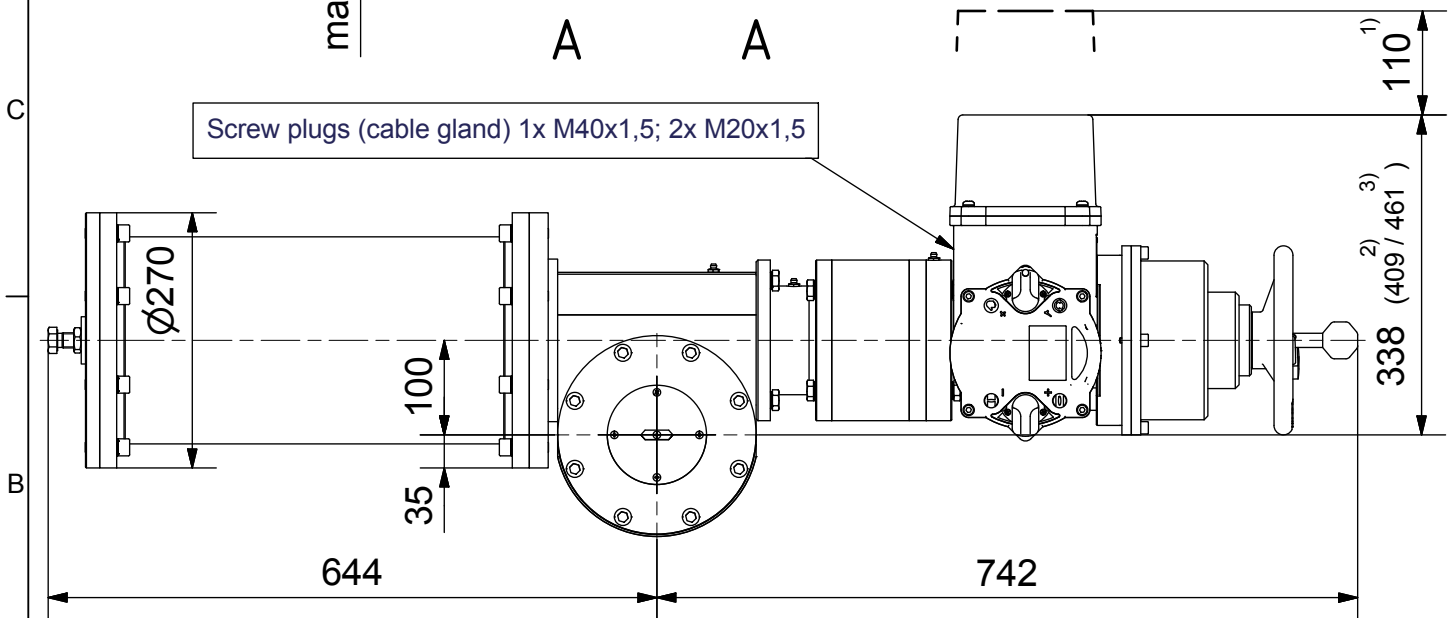
Coupling

Parallelkey groove acc.to DIN6885
max.Ø60 / max.□48

A-A (1 : 5)



Screw plugs (cable gland) 1x M40x1,5; 2x M20x1,5



- 1) Space required for removing cover
- 2) for ex terminal box with bus connection "DP"
- 3) for 3 phase version "SDC480"



SCHIEBEL

Dimensions

All dimensions in mm

M-CM06FSQT200-5-1E

Actusafe 90° HA

exCM06FSQT200 with handwheel, F14+F16
Type: Failsafe OPEN= ccw turning, 2000Nm

	Dated	Name
drawn	02.11.2016	H.Mayer
checked		

