

4

3

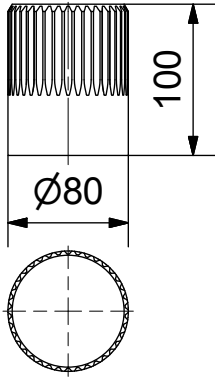
2

1

Coupling

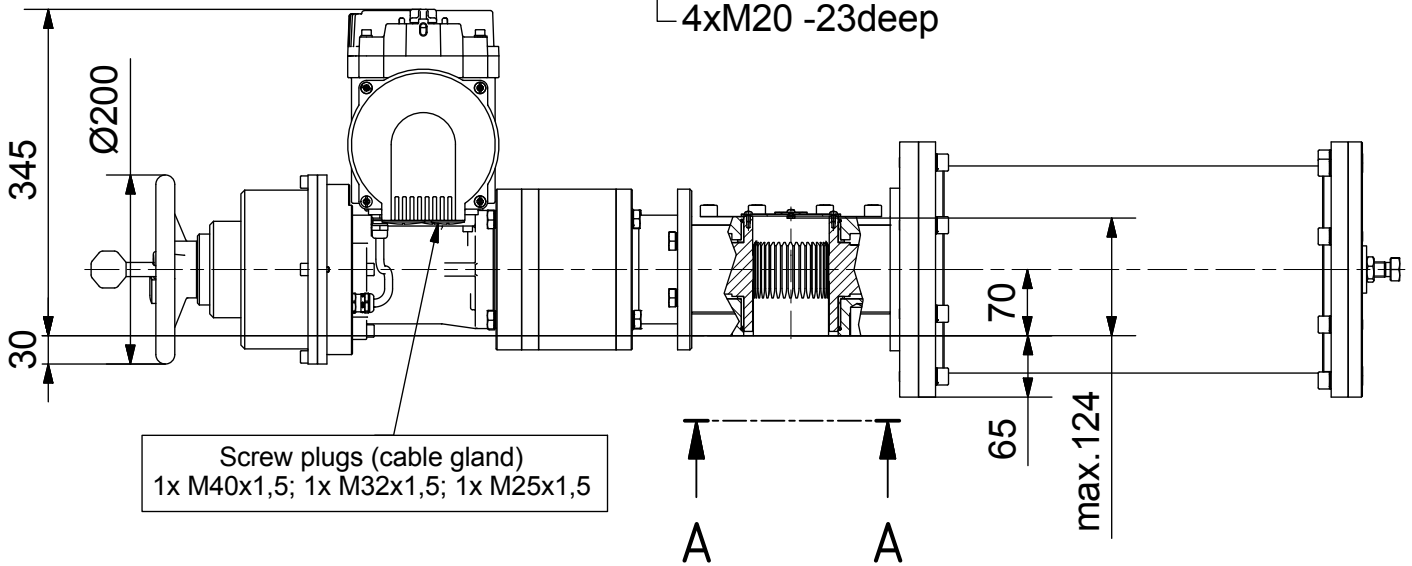
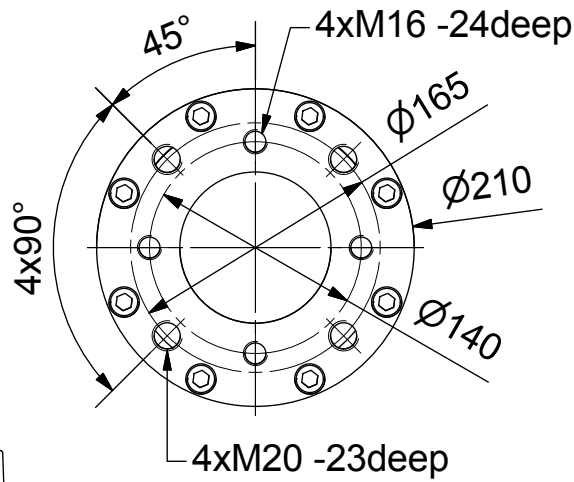
Parallelkey groove acc.to DIN6885

max.Ø60 / max.□48



Output Drive: F14, F16 acc. DIN5211

A-A (1 : 5)



Screw plugs (cable gland)
1x M40x1,5; 1x M32x1,5; 1x M25x1,5

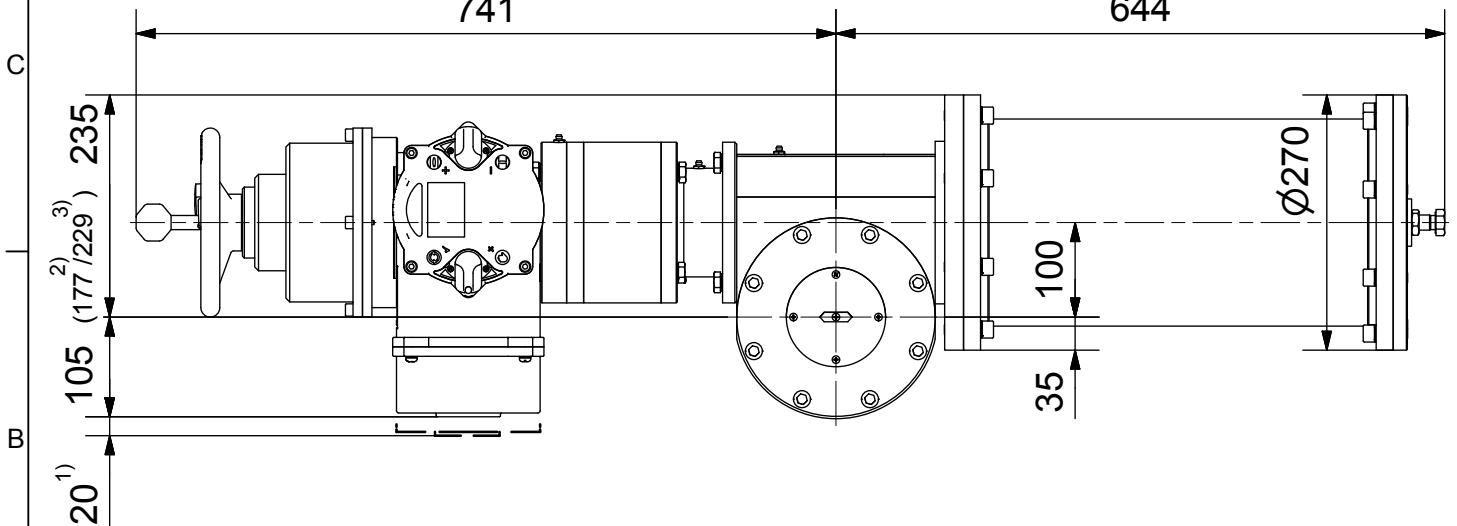
A

A

max.124

741

644



- 1) Space required for removing cover
- 2) for terminal box with bus connection "DP"
- 3) for 3 phase version "SDC480"

SCHIEBEL

Dimensions

All dimensions in mm

M-CM06FSQT200-7E

Actusafe 90° HA

CM06FSQT200 with handwheel, F14+F16
Type: Failsafe CLOSE= cw turning, max. 2000Nm

	Dated	Name
drawn	16.08.2016	H.Mayer
checked		

G:\Inventor\Failsafe\CMFSQT\CM06FSQT200\M-CM06FSQT200-7E.idw

