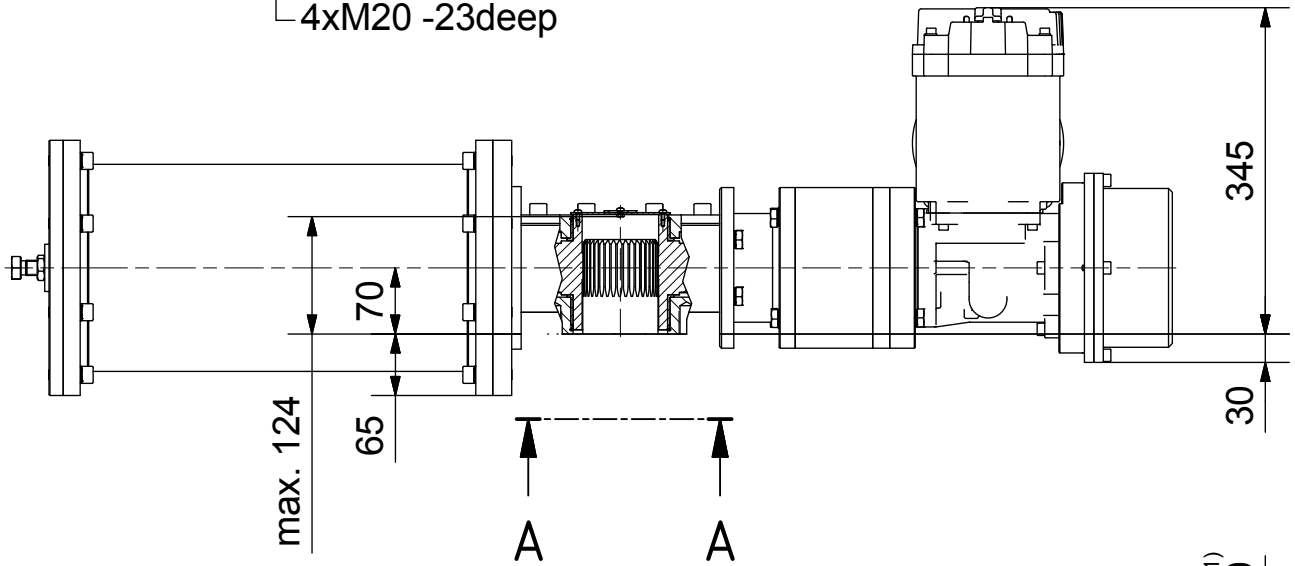
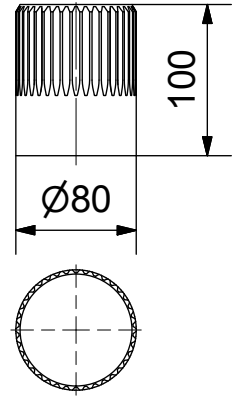
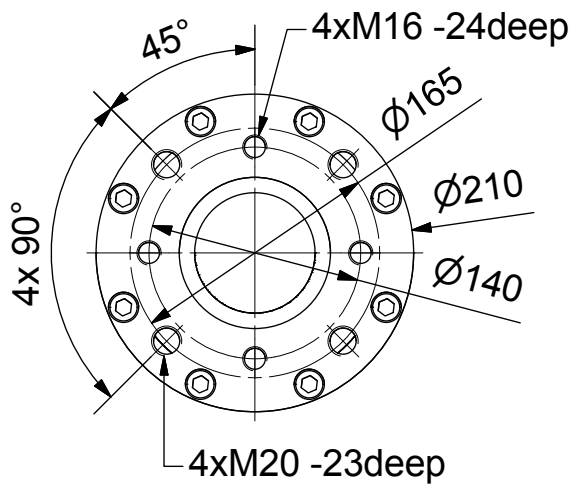


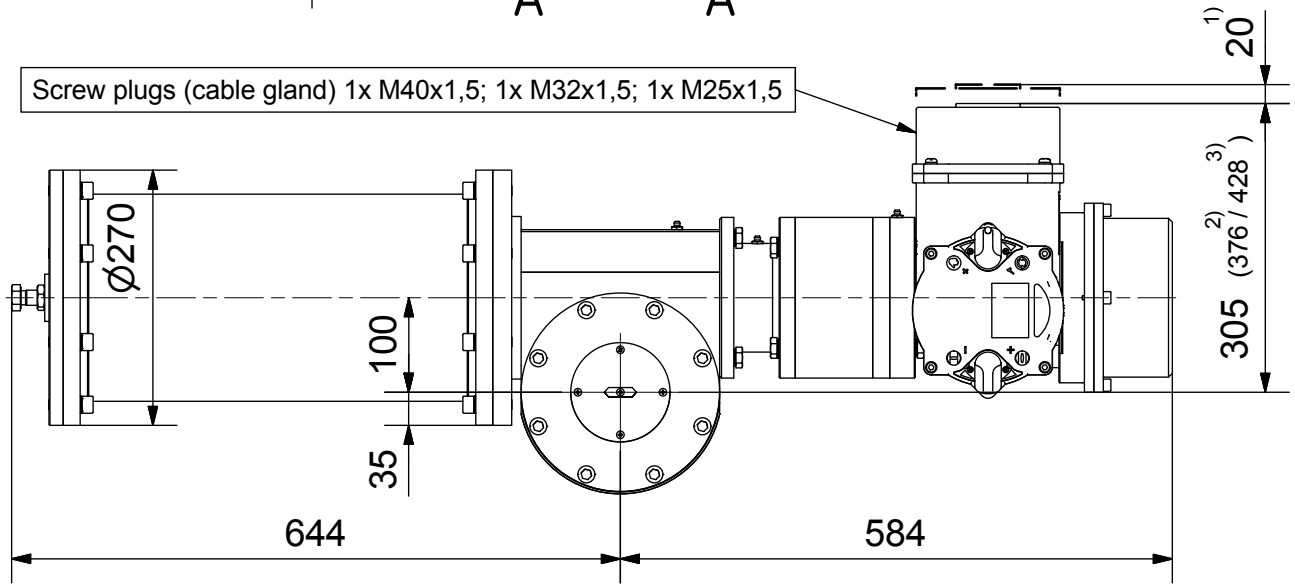
Output Drive: F14, F16 acc. DIN5211

**Coupling**  
Parallelkey groove acc.to DIN6885  
max.Ø60 / max.□48

A-A ( 1 : 5 )



Screw plugs (cable gland) 1x M40x1,5; 1x M32x1,5; 1x M25x1,5



- 1) Space required for removing cover
- 2) for ex terminal box with bus connection "DP"
- 3) for 3 phase version "SDC480"

<b>SCHIEBEL</b>	Dimensions	All dimensions in mm		M-CM06FSQT200-8-1E
	<b>Actusafe 90°</b> CM06FSQT200 with handwheel, F14+F16 Type: Failsafe OPEN= ccw turning, 2000Nm	drawn checked	Dated 02.11.2016	Name H.Mayer
Antriebstechnik Gesellschaft m.b.H. Josef Benc Gasse 4 A - 1230 Vienna	G:\Inventor\Failsafe\CMFSQT\CM06FSQT200\M-CM06FSQT200-8-1E.idw			