

4

3

2

1

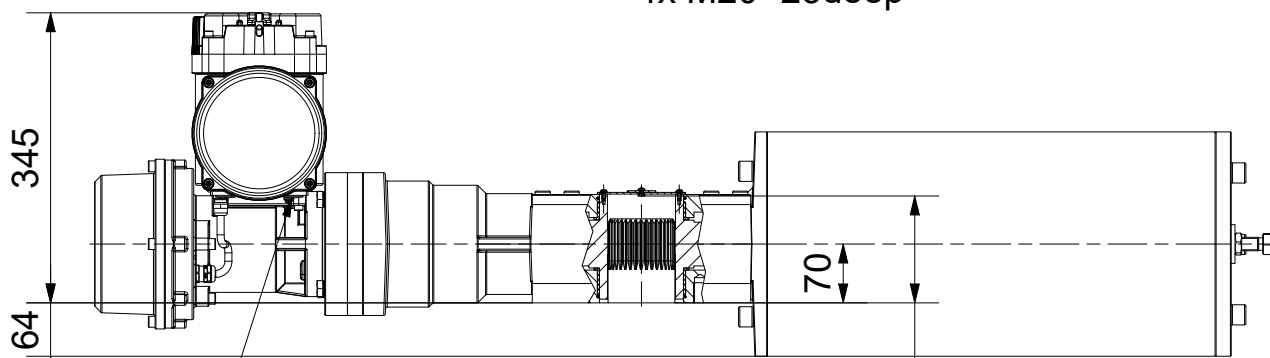
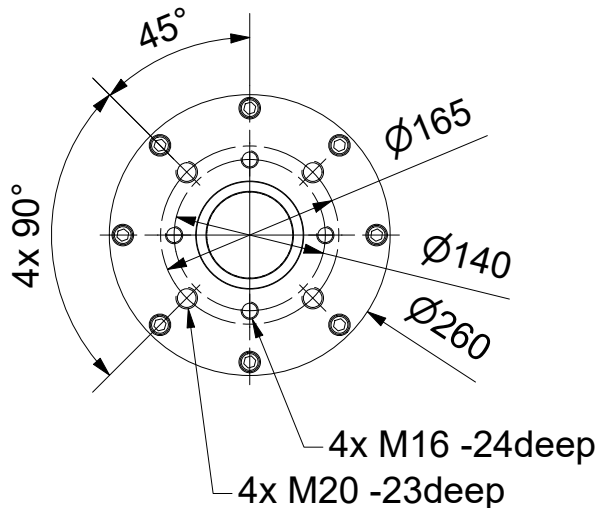
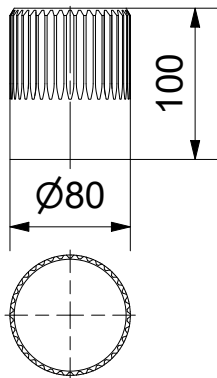
Coupling

Output Drive: F14, F16 acc. DIN5211

Parallelkey groove acc.to DIN6885

A-A (1 : 7)

F max.Ø60 / max.□48 (directly Ø80/□63)



Screw plugs (cable gland) 1x M40x1,5; 2x M20x1,5

A

A

max. 127

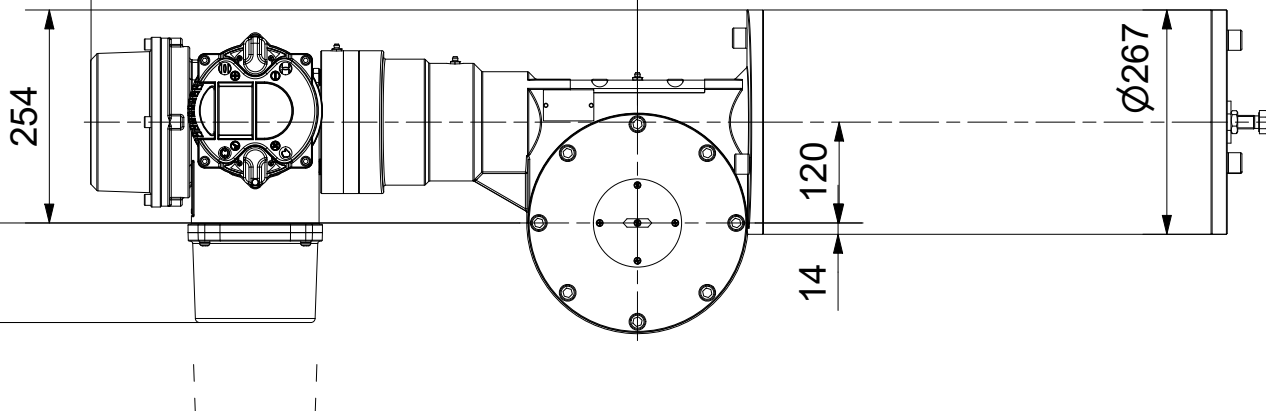
C

650

750

C

B

¹⁾ 110
²⁾ 119 (160² / 209³)


B

- 1) Space required for removing cover
 2) for ex terminal box with bus connection "DP"
 3) for 3 phase version "SDC480"

**SCHIEBEL**

Dimensions

All dimensions in mm

M-CM06FSQT300-20E

Actusafe 90°

exCM06FSQT300 F14+F16

Type: Failsafe CLOSE= cw turning, max. 3000Nm

A

Antriebstechnik
 Gesellschaft m.b.H.
 Josef Benc Gasse 4
 A - 1230 Vienna

	Dated	Name
drawn	25.01.2018	H.Mayer
checked		

A

G:\Inventor\Antrieb+Getriebe\Failsafe\FSQT\CM06FSQT300\M-CM06FSQT300-20E.idw



4

3

2

1