

4

3

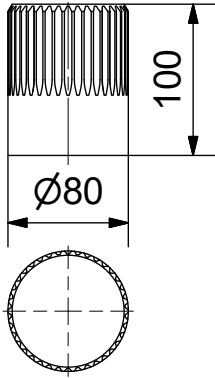
2

1

Coupling

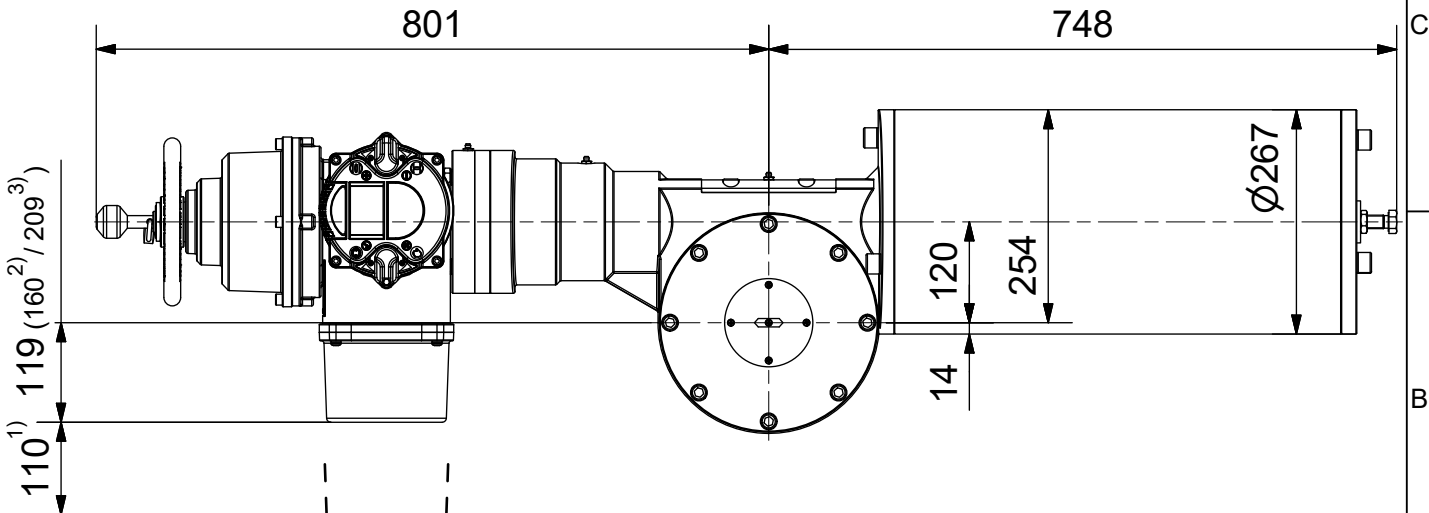
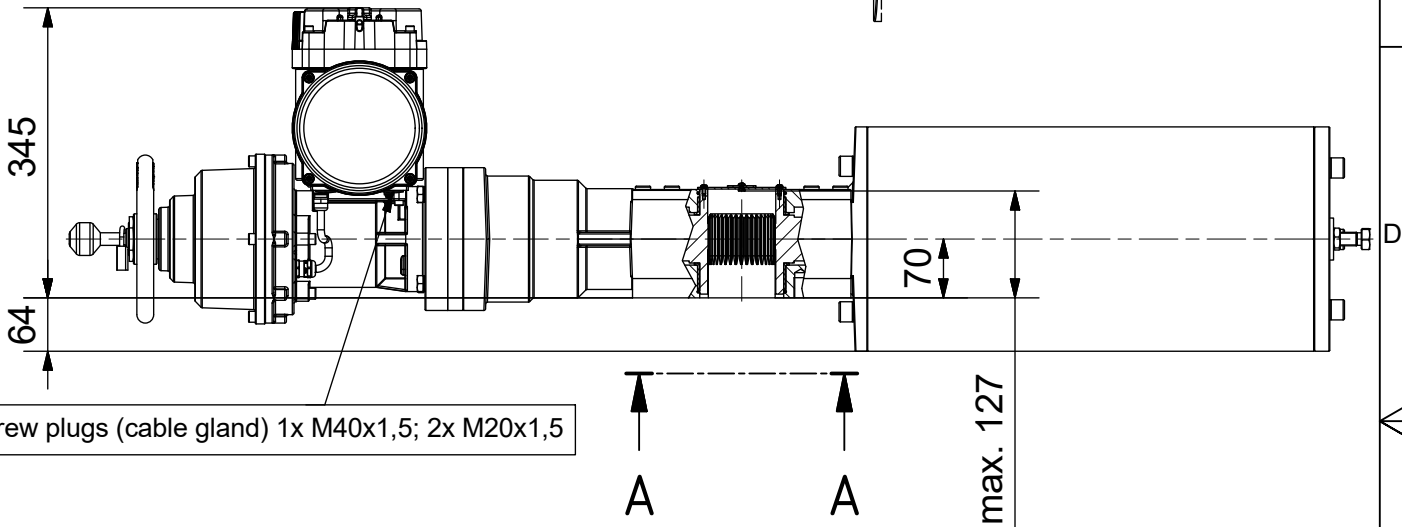
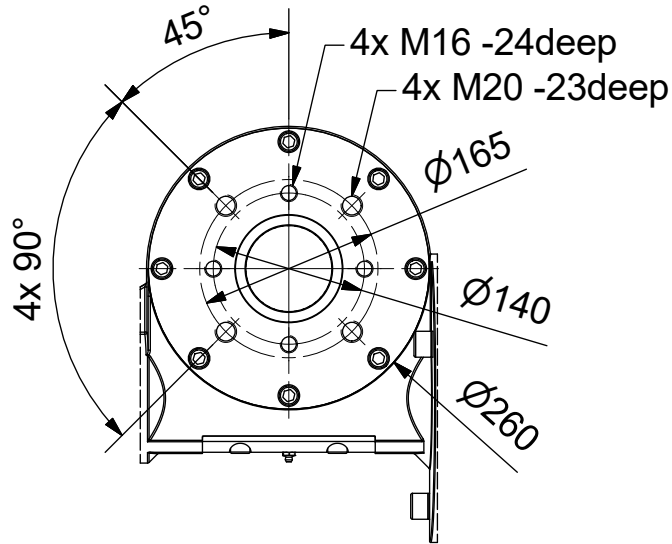
Parallel key groove acc.to DIN6885

max.Ø60 / max.□48



Output Drive: F14, F16 acc. DIN5211

A-A (1:7)



- 1) Space required for removing cover
- 2) for ex terminal box with bus connection "DP"
- 3) for 3 phase version "SDC480"

**SCHIEBEL**

Dimensions

All dimensions in mm

M-CM06FSQT300-21E

Actusafe 90°

exCM06FSQT300 with handwheel, F14+F16
 Type: Failsafe CLOSE= cw turning, max. 3000Nm

Antriebstechnik
 Gesellschaft m.b.H.
 Josef Benc Gasse 4
 A - 1230 Vienna

	Dated	Name
drawn	25.01.2018	H.Mayer
checked		

G:\Inventor\Failsafe\CMFSQT\CM06FSQT300\M-CM06FSQT300-21E.idw



4

3

2

1