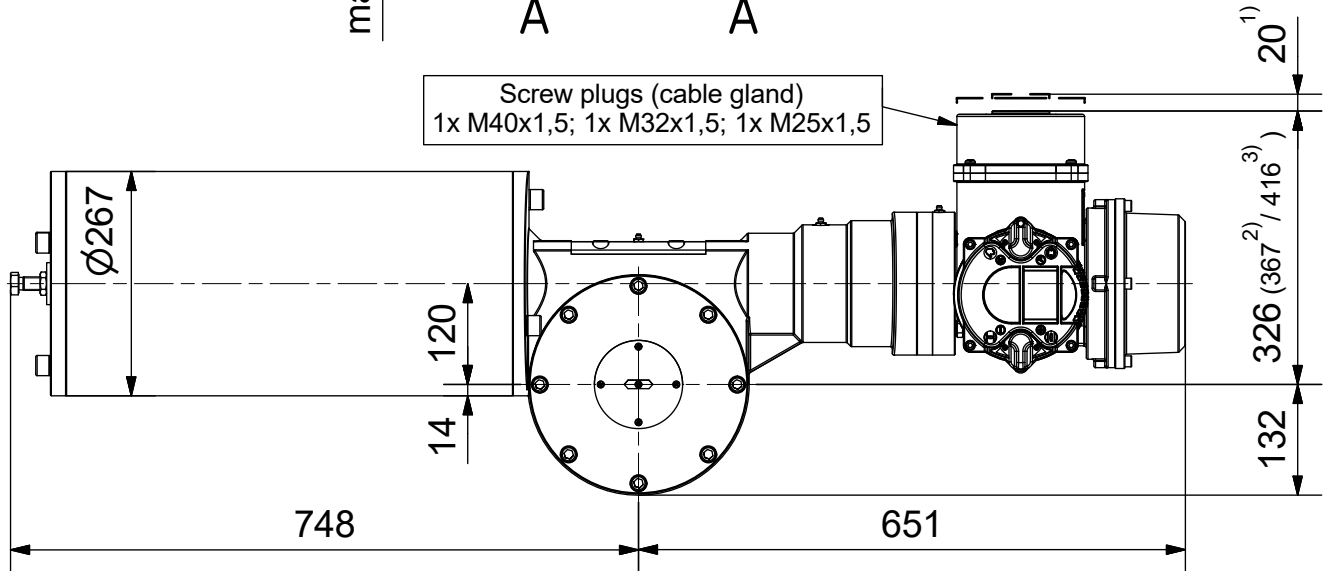
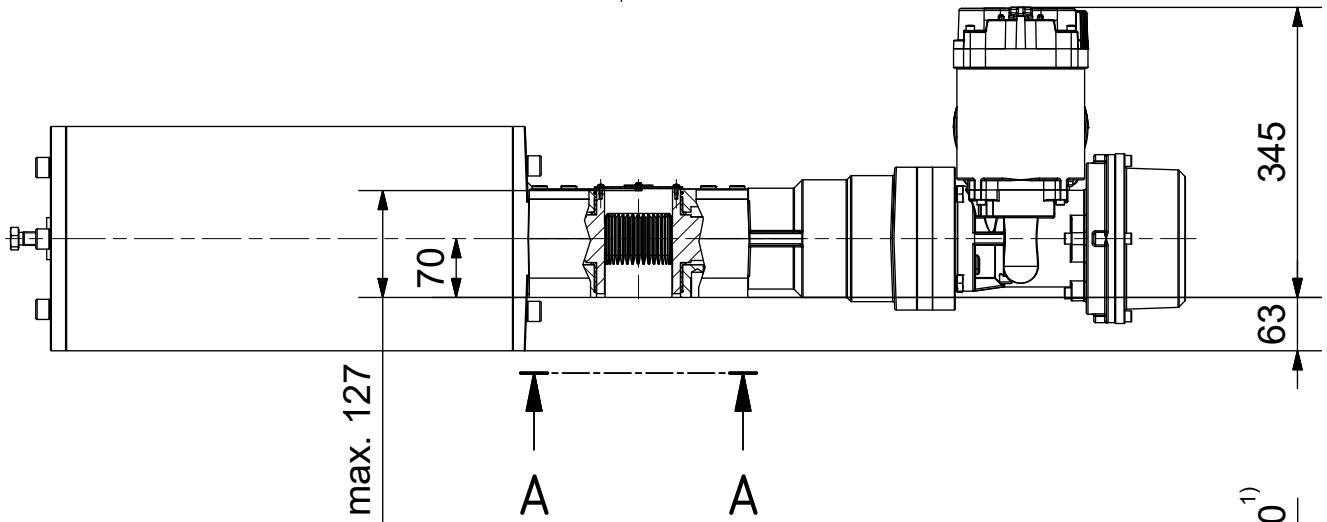
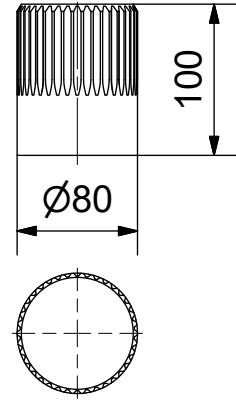
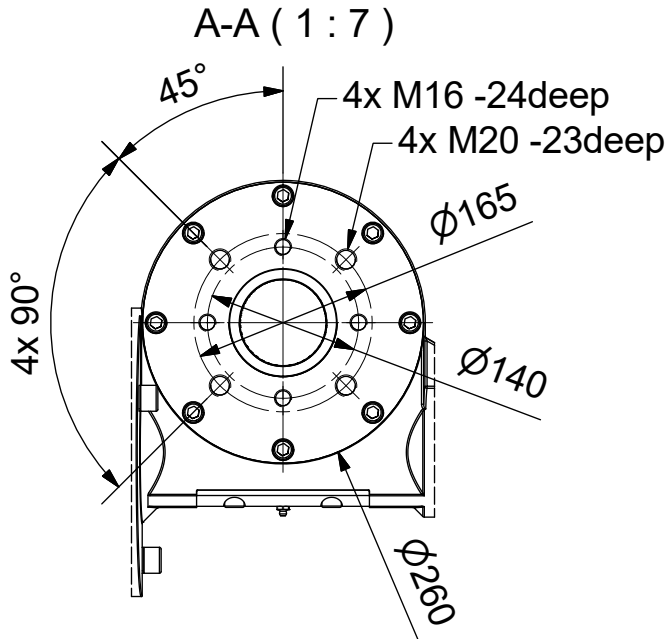


Output Drive: F14, F16 acc. DIN5211

**Coupling**

Parallelkey groove acc.to DIN6885  
max.Ø60 / max.□48



Screw plugs (cable gland)  
1x M40x1,5; 1x M32x1,5; 1x M25x1,5

- 1) Space required for removing cover
- 2) for terminal box with bus connection "DP"
- 3) for 3 phase version "SDC480"

**SCHIEBEL**

**Dimensions**

All dimensions in mm

M-CM06FSQT300-22-1E

**Actusafe 90°**

CM06FSQT300 F14+F16

Type: Failsafe OPEN= ccw turning, 3000Nm

Antriebstechnik  
Gesellschaft m.b.H.  
Josef Benc Gasse 4  
A - 1230 Vienna

	Dated	Name
drawn	25.01.2018	H.Mayer
checked		

