

4

3

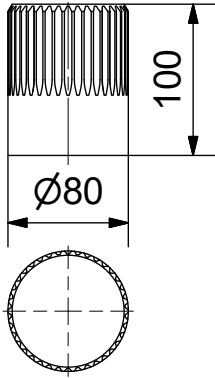
2

1

## Coupling

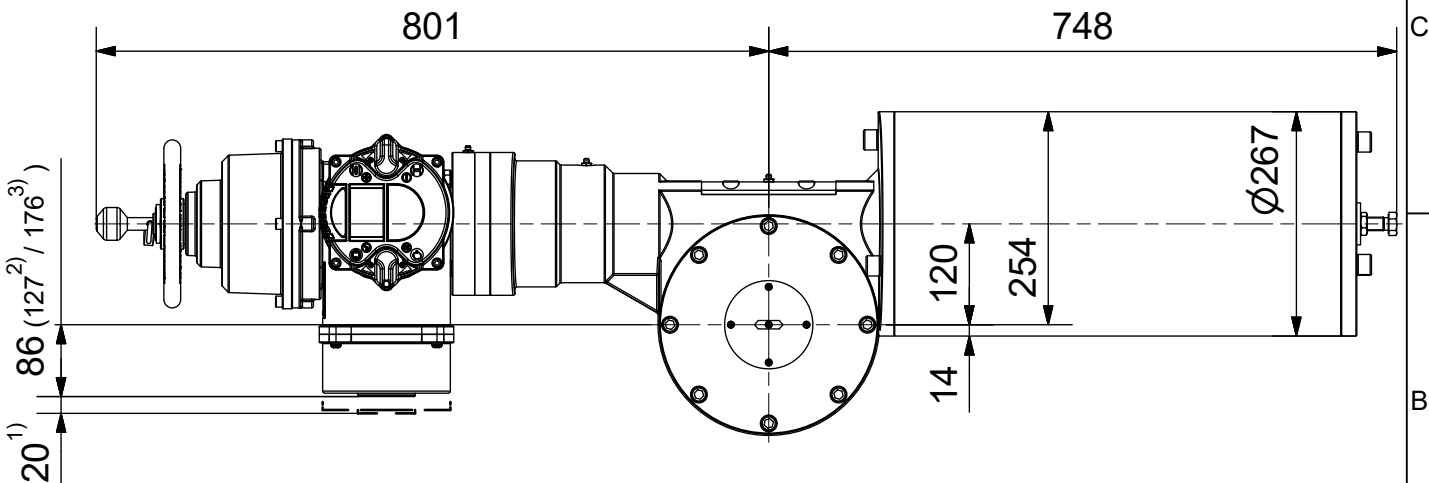
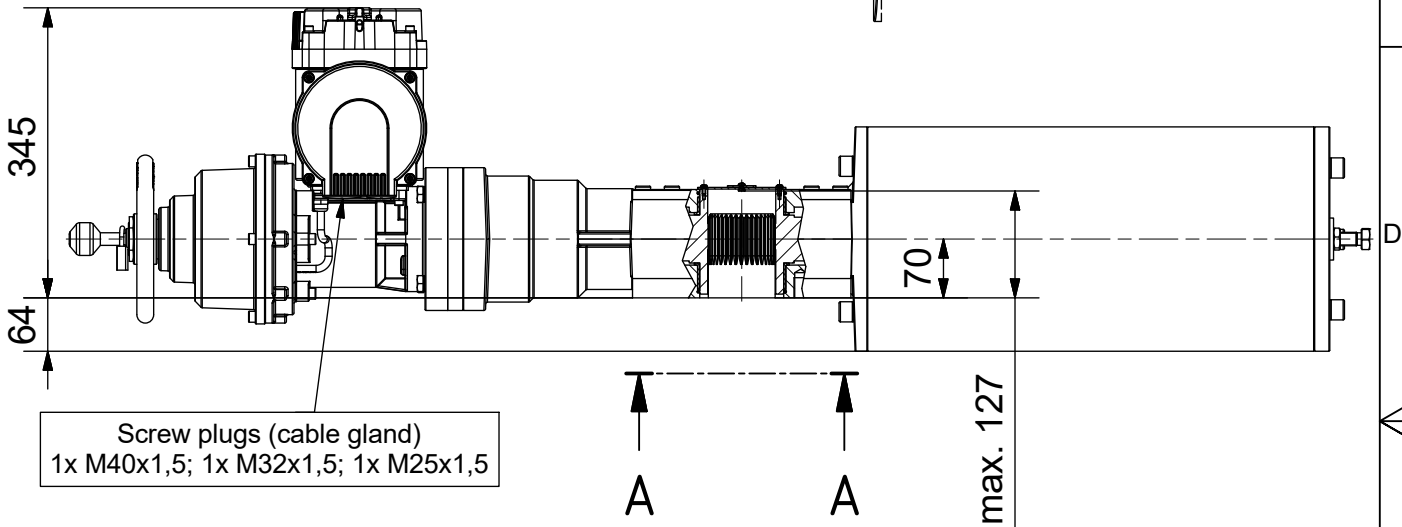
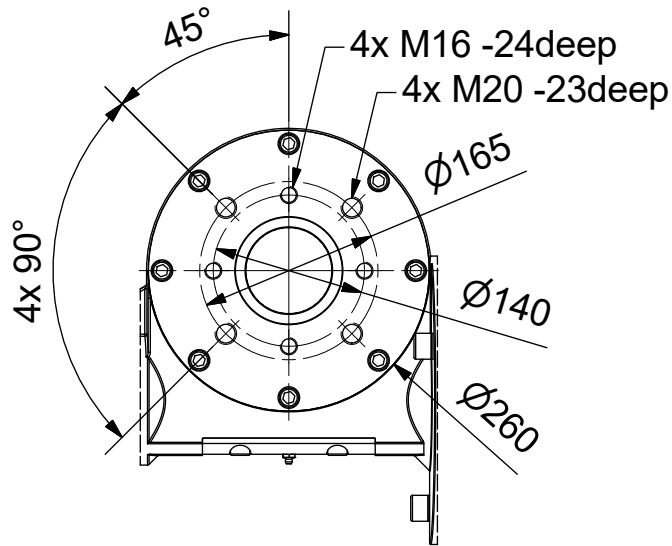
Parallel key groove acc.to DIN6885

max.Ø60 / max.□48



Output Drive: F14, F16 acc. DIN5211

## A-A ( 1 : 7 )



- 1) Space required for removing cover  
2) for ex terminal box with bus connection "DP"  
3) for 3 phase version "SDC480"

**SCHIEBEL**

## Dimensions

All dimensions in mm

M-CM06FSQT300-23E

## Actusafe 90°

CM06FSQT300 with handwheel, F14+F16  
Type: Failsafe CLOSE= cw turning, max. 3000Nm

Antriebstechnik  
Gesellschaft m.b.H.  
Josef Benc Gasse 4  
A - 1230 Vienna

	Dated	Name
drawn	25.01.2018	H.Mayer
checked		

G:\Inventor\Failsafe\CMFSQT\CM06FSQT300\M-CM06FSQT300-23E.idw

