

4

3

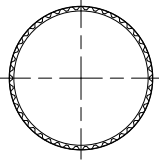
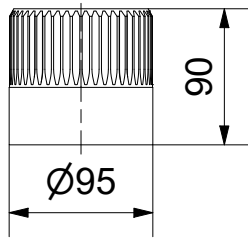
2

1

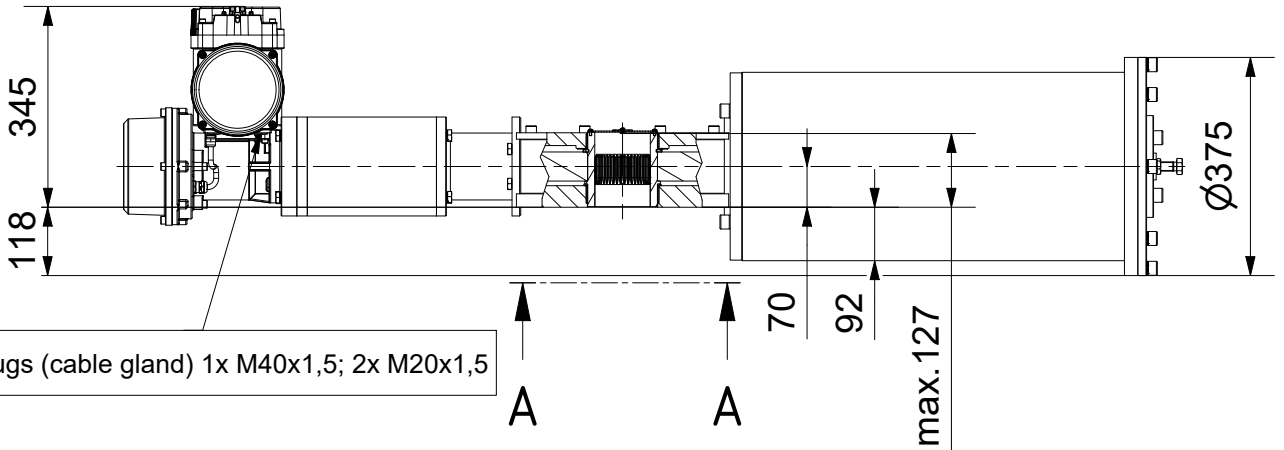
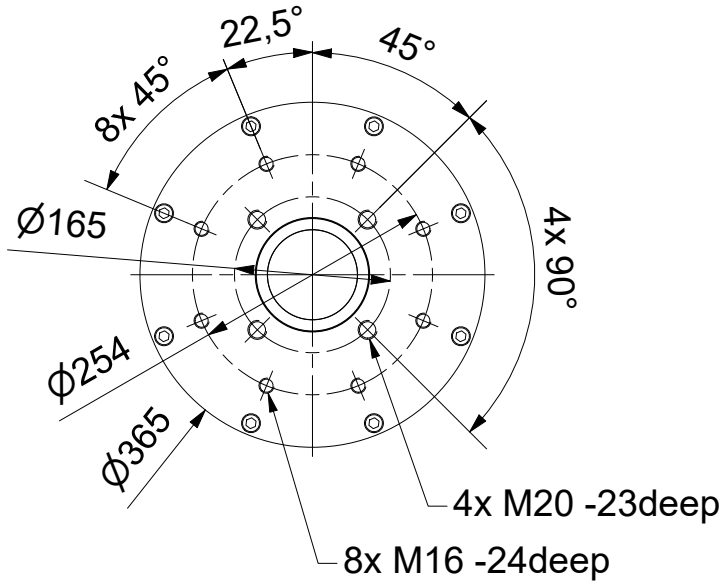
## Coupling

Parallelkey groove acc.to DIN6885

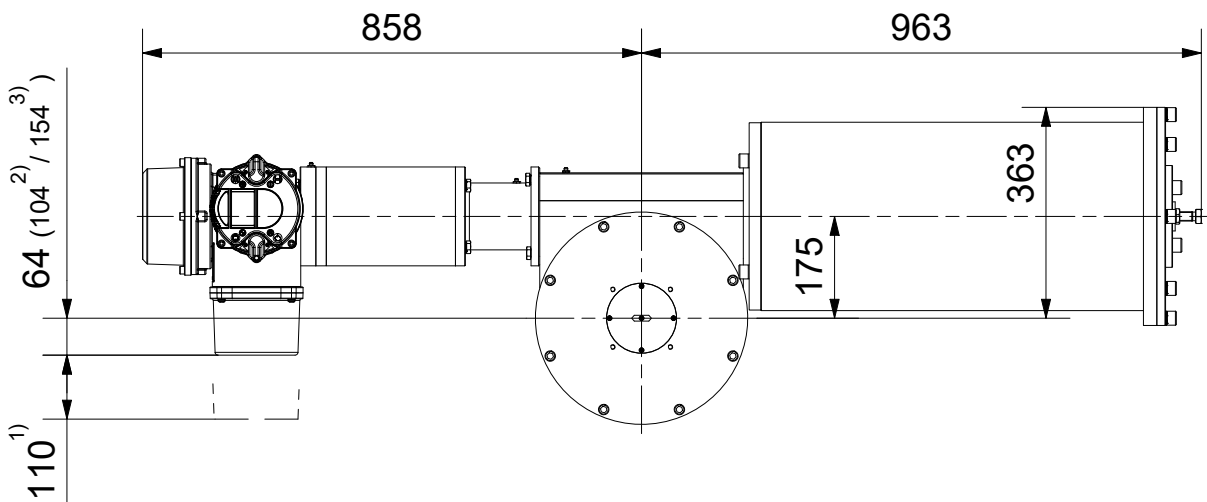
max.Ø75 / max.□60 (directly Ø95/□75)



A-A ( 1 : 8 ) Output Drive: F16, F25 acc. DIN5211



Screw plugs (cable gland) 1x M40x1,5; 2x M20x1,5



- 1) Space required for removing cover
- 2) for ex terminal box with bus connection "DP"
- 3) for 3 phase version "SDC480"

**SCHIEBEL**

## Dimensions

All dimensions in mm

M-CM06FSQT500-04-2E

Actusafe 90°

exCM06FSQT500 F16+F25

Type: Failsafe CLOSE =cw turning, max. 5000Nm

Antriebstechnik  
Gesellschaft m.b.H.  
Josef Benc Gasse 4  
A - 1230 Vienna

	Dated	Name
drawn	07.08.2018	KL
checked		

G:\Inventor\Antrieb+Getriebe\Failsafe\FSQT\CM06FSQT500\M-CM06FSQT500-04-2E.idw



4

3

2

1