

4

3

2

1

Coupling

A-A (1 : 8)

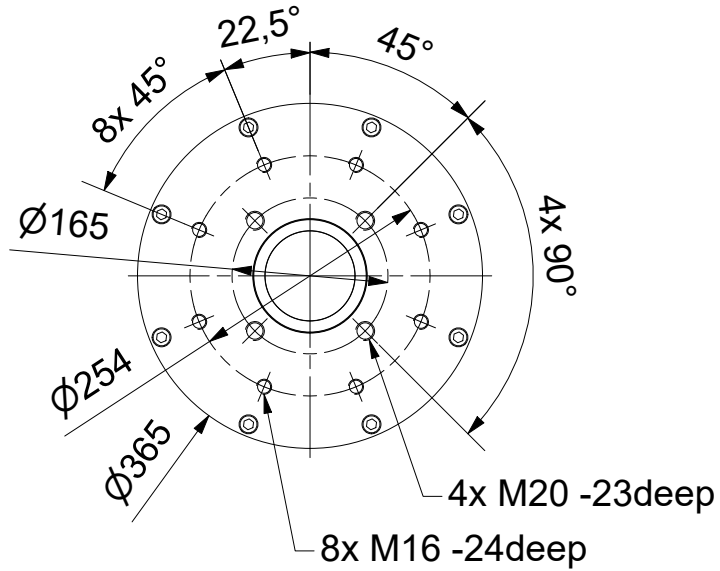
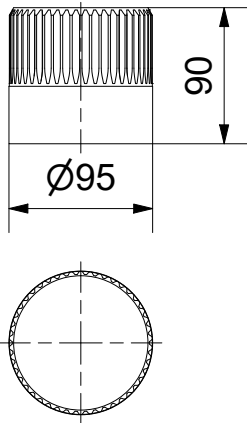
Output Drive: F16, F25 acc. DIN5211

Parallelkey groove acc.to DIN6885

max.Ø75 / max.□60 (directly Ø95/□75)

F

F

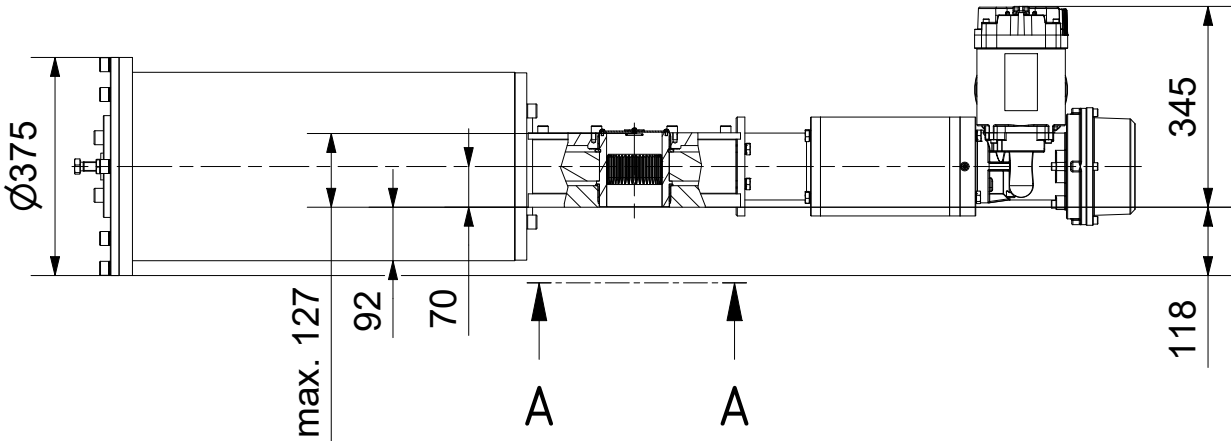


E

E

D

D



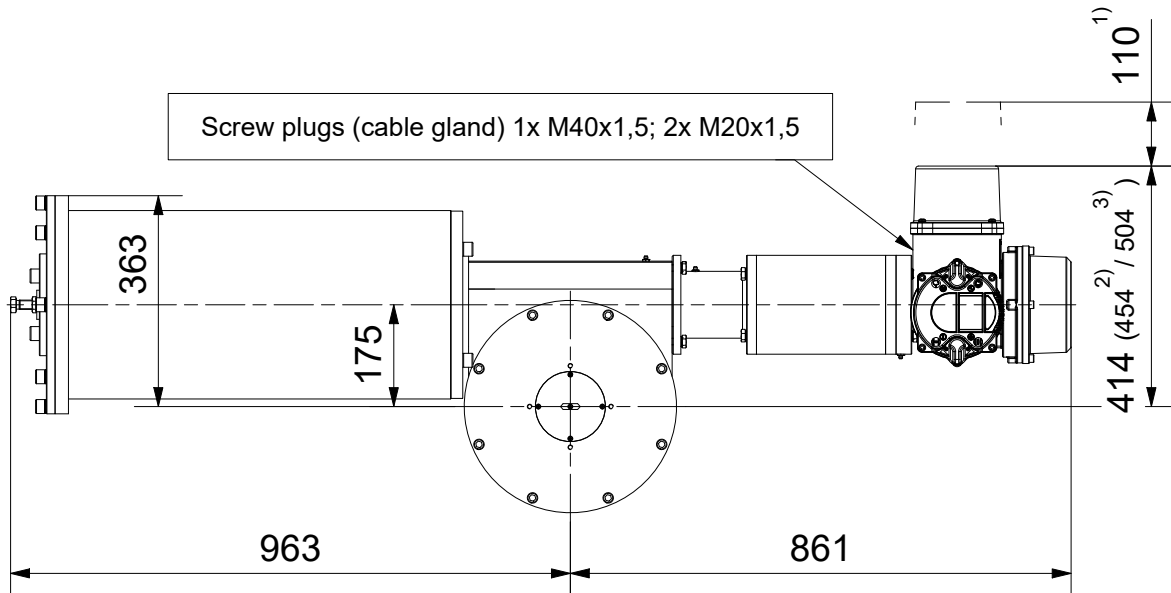
C

C

Screw plugs (cable gland) 1x M40x1,5; 2x M20x1,5

B

B



1) Space required for removing cover

2) for ex terminal box with bus connection "DP"

3) for 3 phase version "SDC480"

**SCHIEBEL**

Dimensions

All dimensions in mm

M-CM06FSQT200-04-3E

A

A

Antriebstechnik
Gesellschaft m.b.H.
Josef Benc Gasse 4
A - 1230 Vienna

Actusafe 90°
exCM06FSQT500 F16+F25
Type: Failsafe OPEN= ccw turning, 5000Nm

	Dated	Name
drawn	07.08.2018	KL
checked		

G:\Inventor\Antrieb+Getriebe\Failsafe\FSQT\CM06FSQT500\M-CM06FSQT500-04-3E.idw



4

3

2

1