

4

3

2

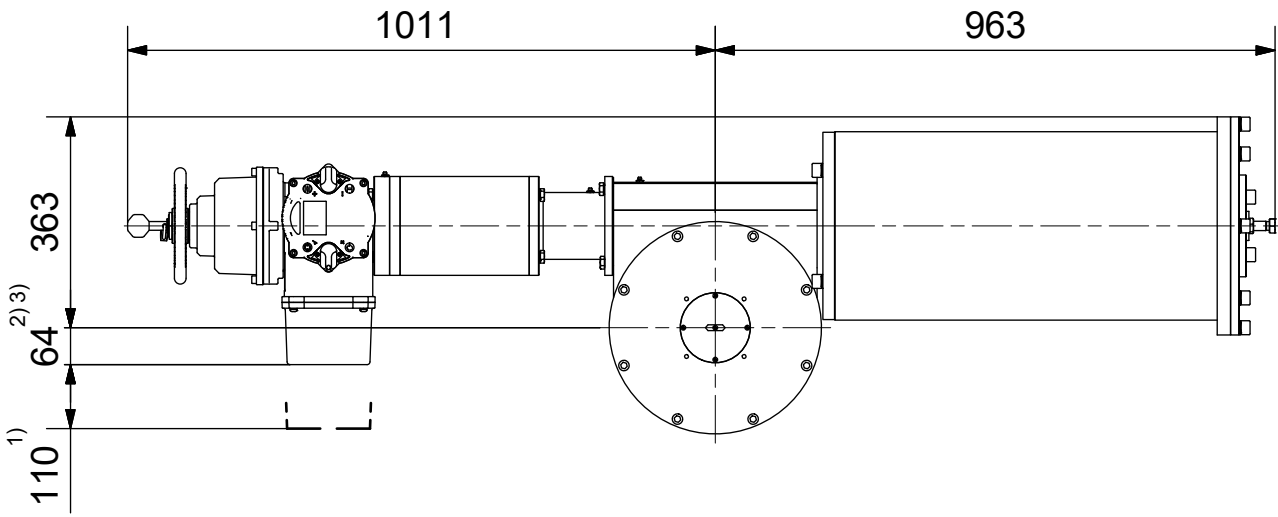
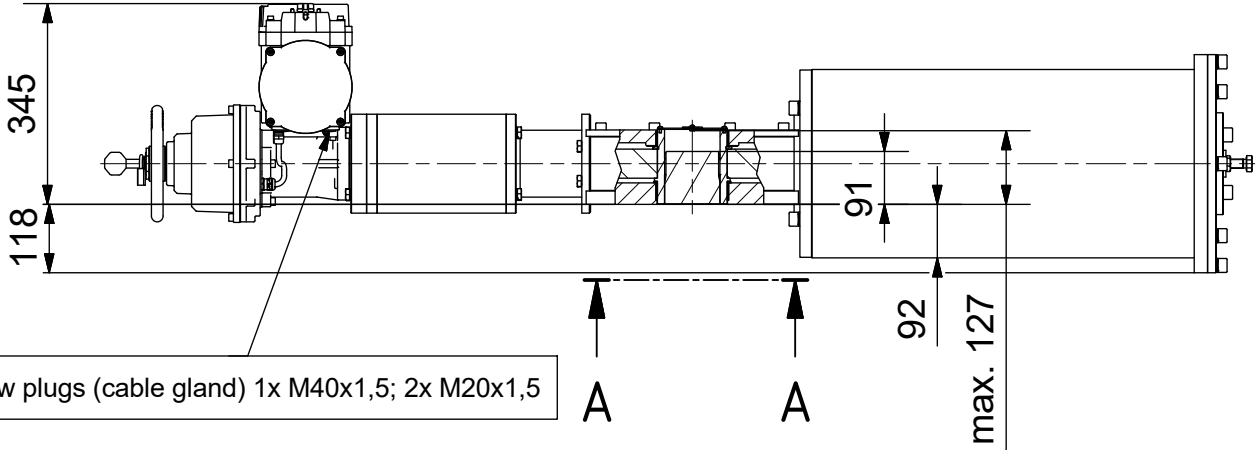
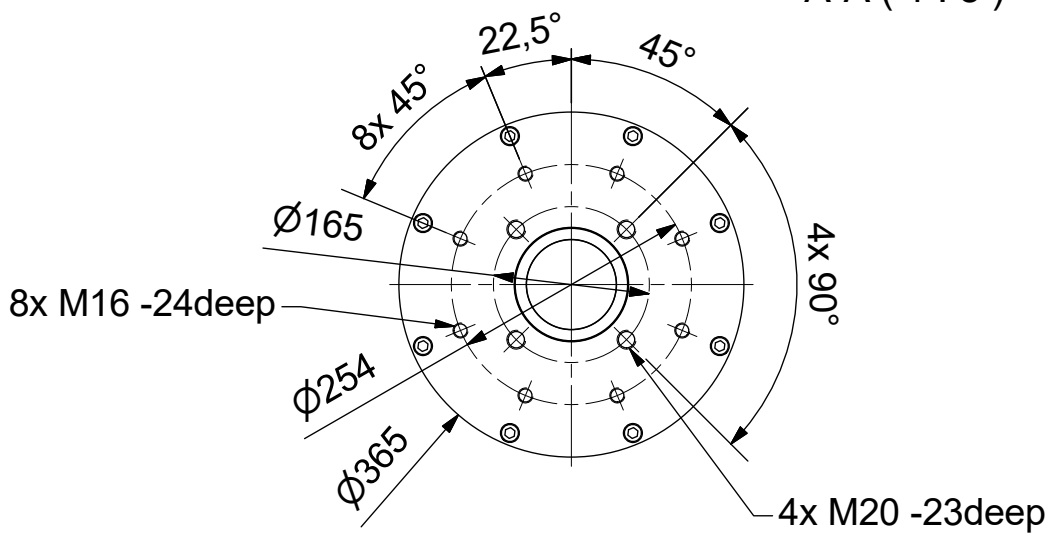
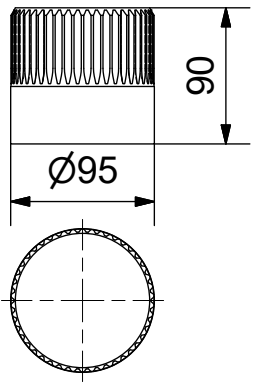
1

### Coupling

Parallel key groove acc.to DIN6885  
max.Ø75 / max.□60

Output Drive: F16, F25 acc. DIN5211  
Parallel key groove acc.to DIN6885

A-A ( 1 : 8 )



- 1) Space required for removing cover
- 2) for ex terminal box with bus connection "DP" / L= 105mm
- 3) for 3 phase version "SDC480" / L= 154mm



# SCHIEBEL

### Dimensions

All dimensions in mm

M-CM06FSQT500-05-2E

## Actusafe 90°

exCM06FSQT500 with handwheel, F16+F25  
Type: Failsafe CLOSE =cw turning, max. 5000Nm

	Dated	Name
drawn	07.08.2018	KL
checked		

