

4

3

2

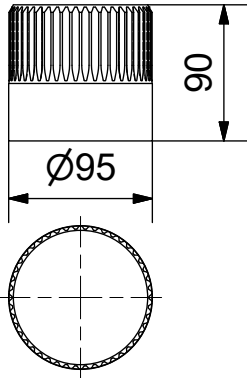
1

Coupling

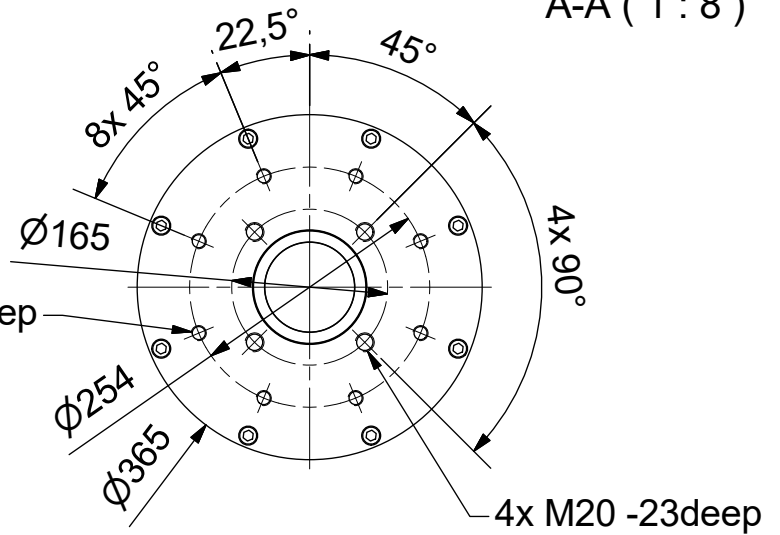
Parallel key groove acc.to DIN6885
max.Ø75 / max.□60

Output Drive: F16, F25 acc. DIN5211
Parallel key groove acc.to DIN6885

A-A (1 : 8)



8x M16 -24deep



F

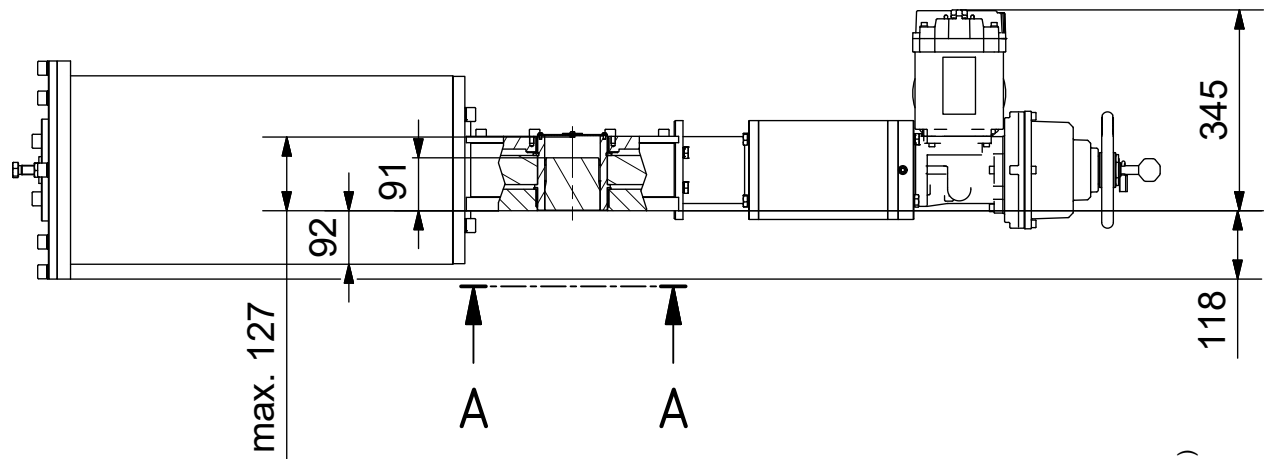
F

E

E

D

D



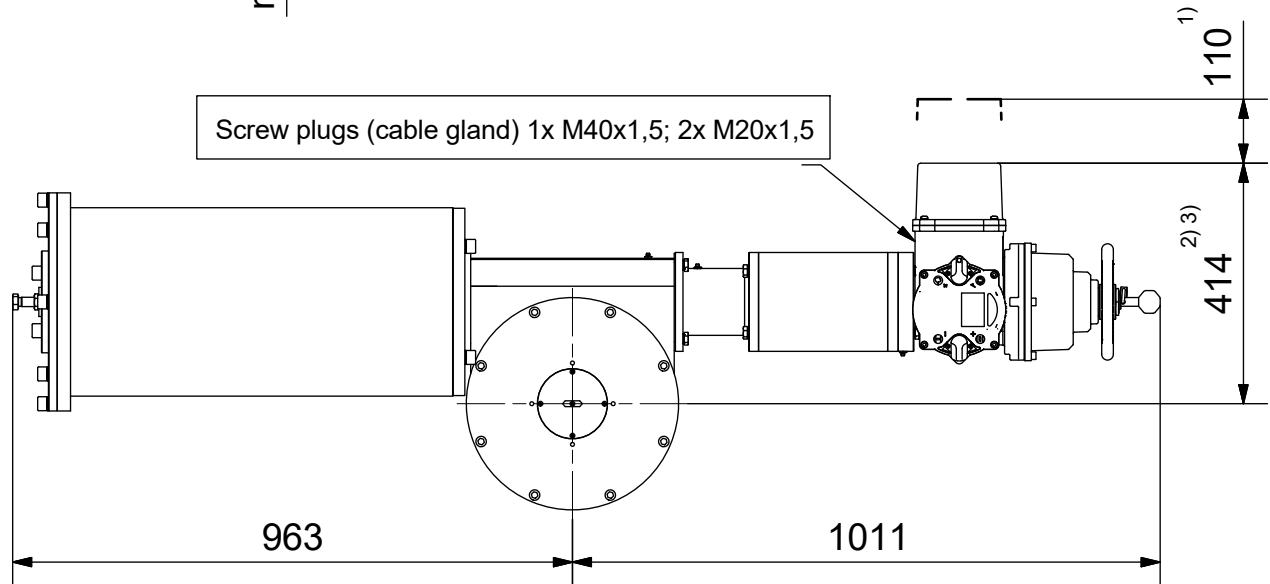
▽

▽

C

C

Screw plugs (cable gland) 1x M40x1,5; 2x M20x1,5



B

B

- 1) Space required for removing cover
- 2) for ex terminal box with bus connection "DP" / L= 455mm
- 3) for 3 phase version "SDC480" / L= 504mm



SCHIEBEL

Dimensions

All dimensions in mm

M-CM06FSQT500-05-3E

Actusafe 90°

exCM06FSQT500 with handwheel, F16+F25
Type: Failsafe OPEN= ccw turning, 5000Nm

A

A

Antriebstechnik
Gesellschaft m.b.H.
Josef Benc Gasse 4
A - 1230 Vienna

	Dated	Name
drawn	07.08.2018	KL
checked		



4

3

2

1