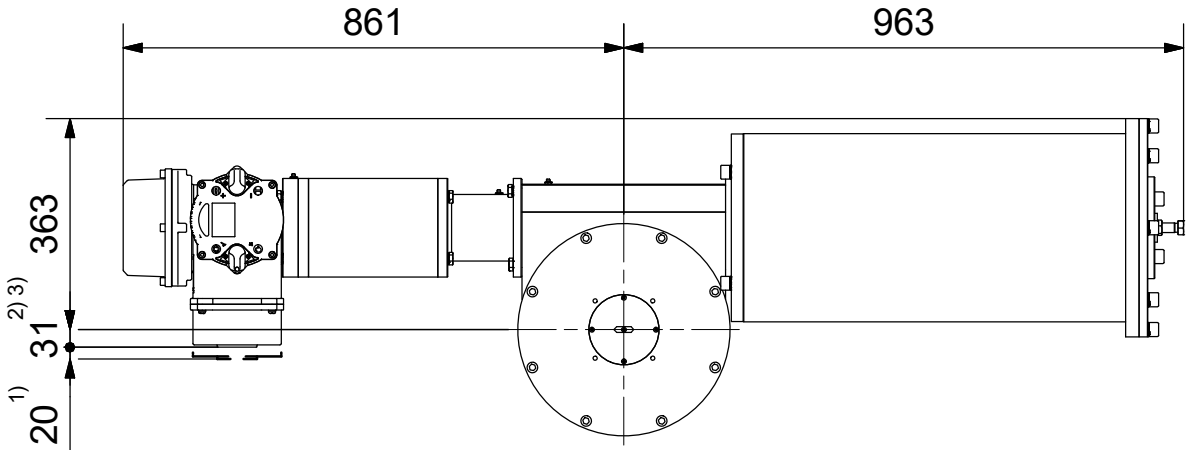
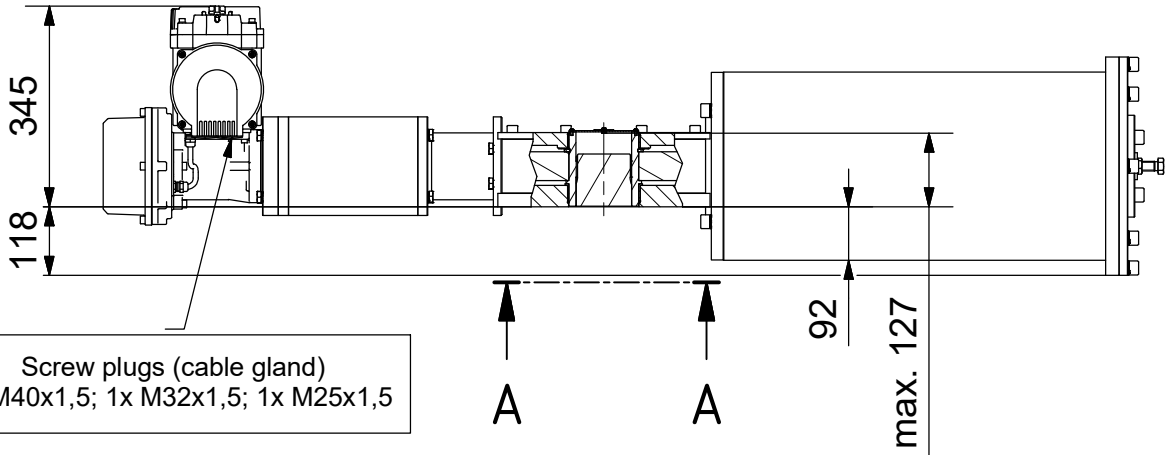
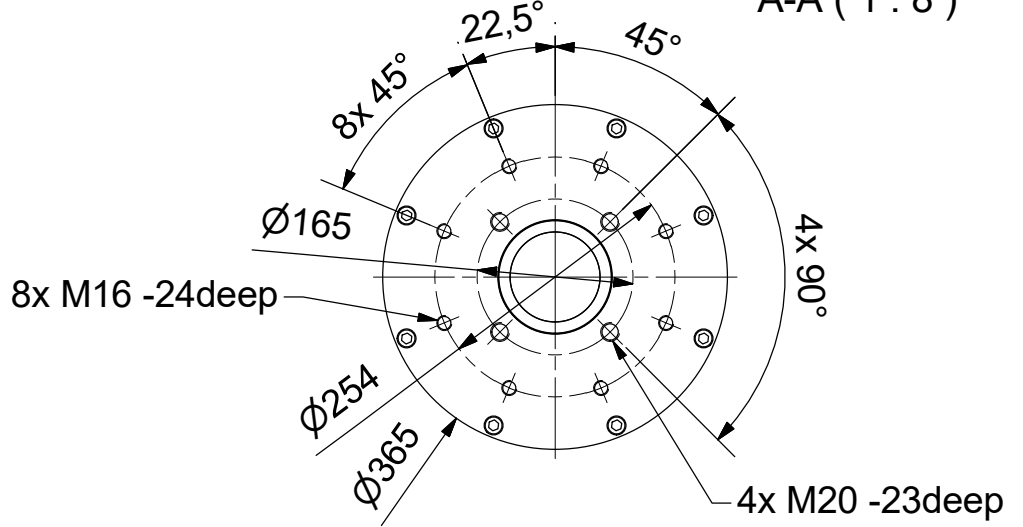
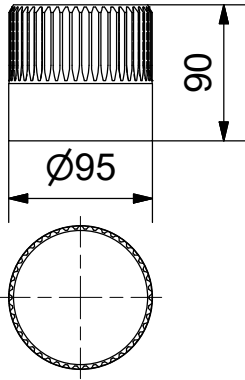


Coupling

Parallel key groove acc.to DIN6885
max.Ø75 / max.□60

Output Drive: F16, F25 acc. DIN5211
Parallel key groove acc.to DIN6885

A-A (1 : 8)



- 1) Space required for removing cover
- 2) for ex terminal box with bus connection "DP" / L= 72mm
- 3) for 3 phase version "SDC480" / L= 121mm

SCHIEBEL

Dimensions

All dimensions in mm

M-CM06FSQT500-06-3E

Actusafe 90°

CM06FSQT500 F16+F25

Type: Failsafe CLOSE= cw turning, max. 5000Nm

Antriebstechnik
Gesellschaft m.b.H.
Josef Benc Gasse 4
A - 1230 Vienna

	Dated	Name
drawn	07.08.2018	KL
checked		

