

4

3

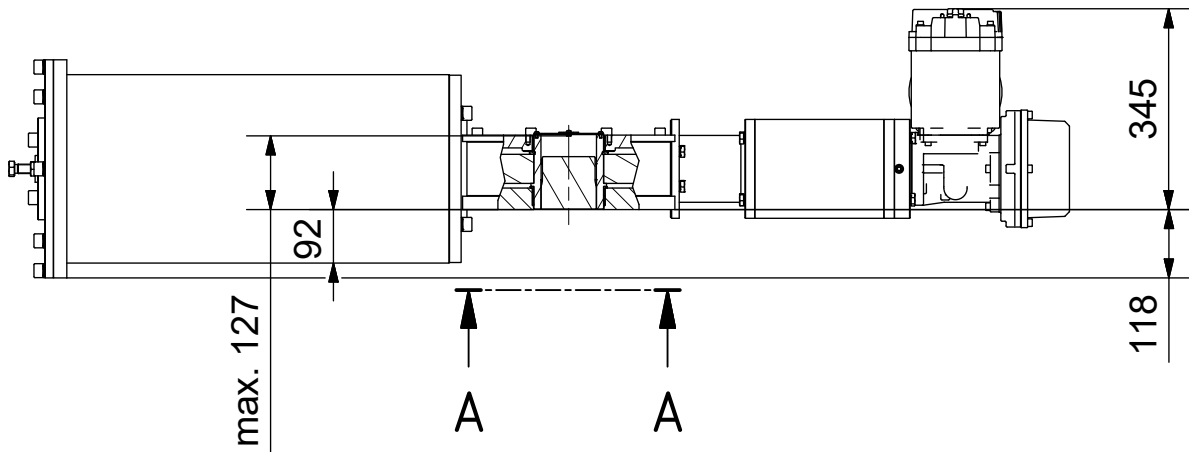
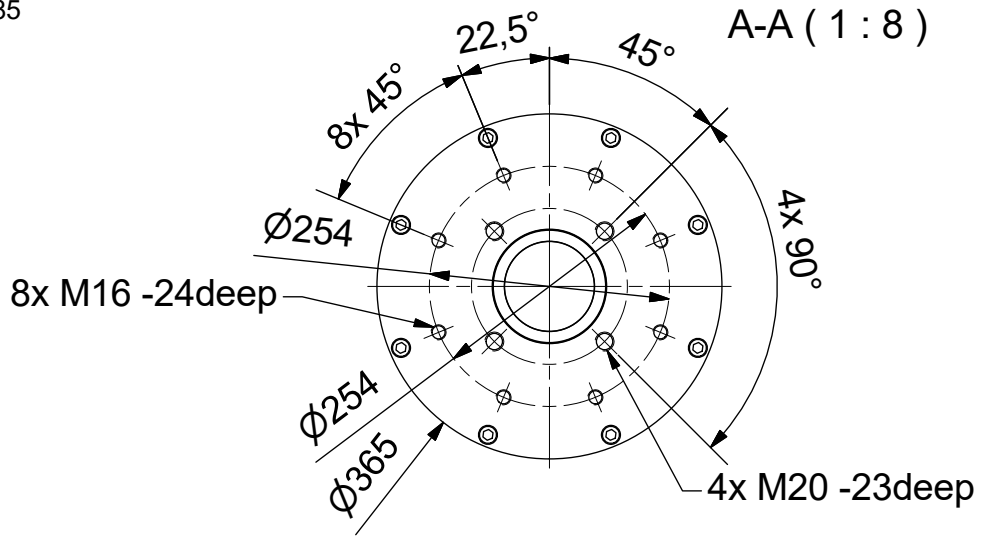
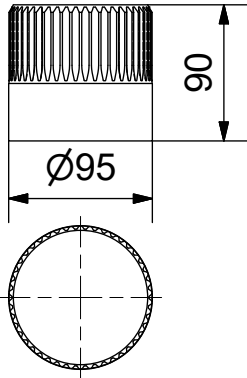
2

1

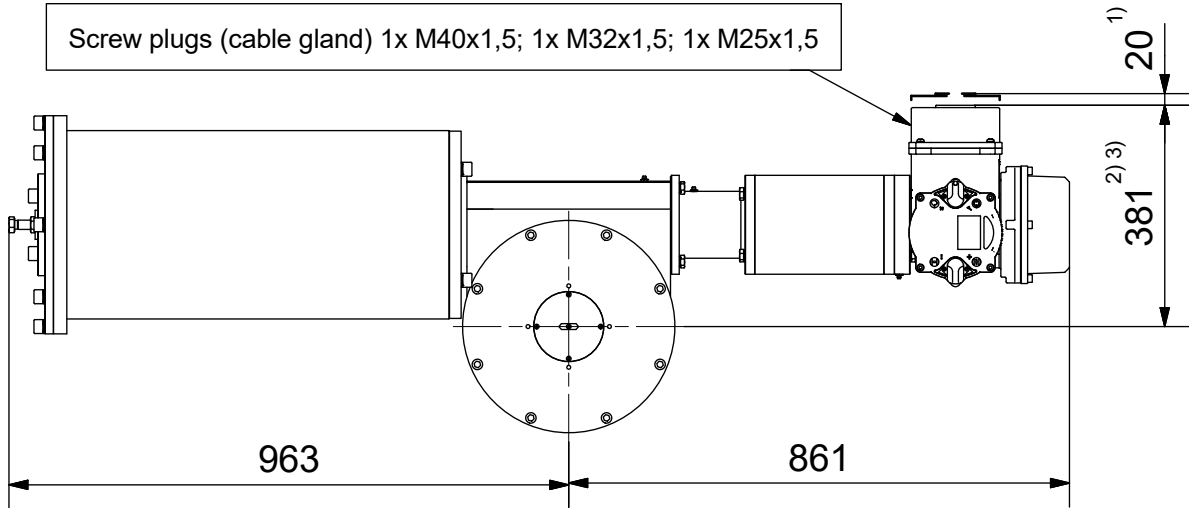
### Coupling

Parallel key groove acc.to DIN6885  
max.Ø75 / max.□60

Output Drive: F16, F25 acc. DIN5211  
Parallel key groove acc.to DIN6885



Screw plugs (cable gland) 1x M40x1,5; 1x M32x1,5; 1x M25x1,5



- 1) Space required for removing cover
- 2) for ex terminal box with bus connection "DP" / L= 422mm
- 3) for 3 phase version "SDC480" / L= 471mm

# SCHIEBEL

## Dimensions

All dimensions in mm

M-CM06FSQT500-06-4E

### Actusafe 90°

CM06FSQT500 F16+F25

Type: Failsafe OPEN= ccw turning, 5000Nm

Antriebstechnik  
Gesellschaft m.b.H.  
Josef Benc Gasse 4  
A - 1230 Vienna

	Dated	Name
drawn	07.08.2018	KL
checked		

