

4

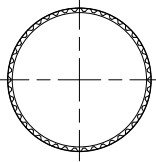
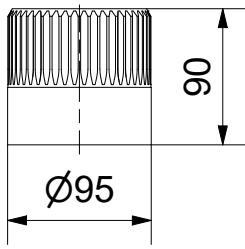
3

2

1

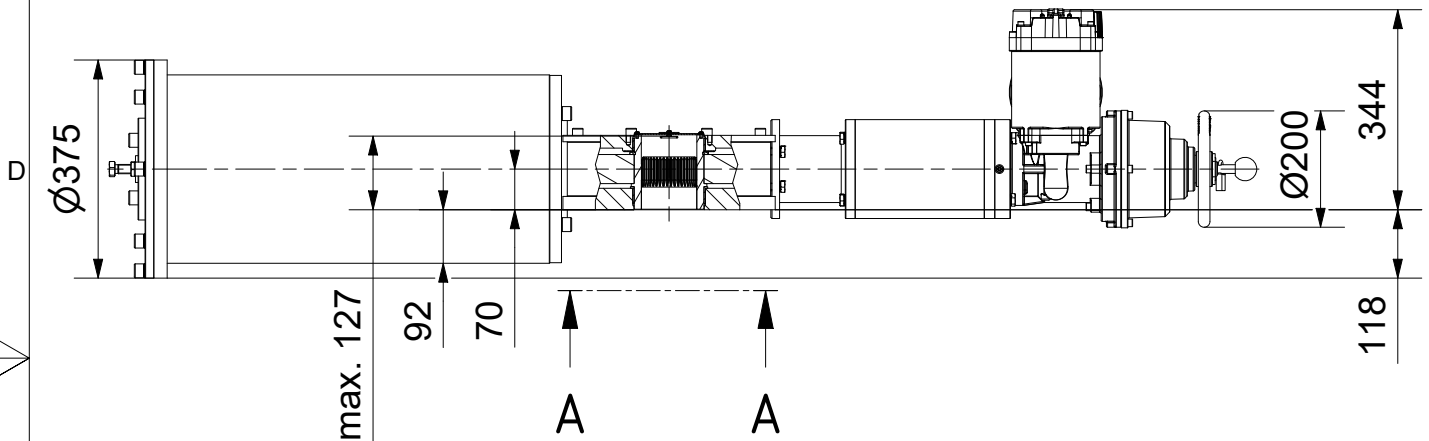
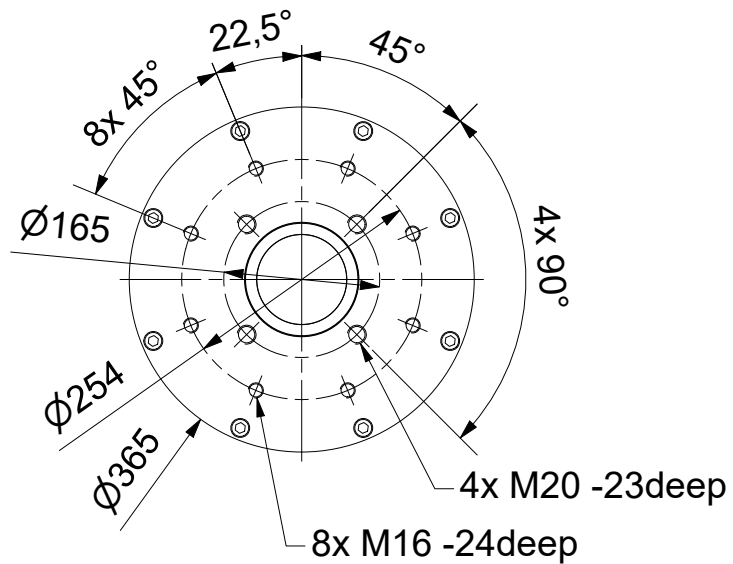
Coupling

Parallelkey groove acc.to DIN6885
max.Ø75 / max.□60 (directly Ø95/□75)

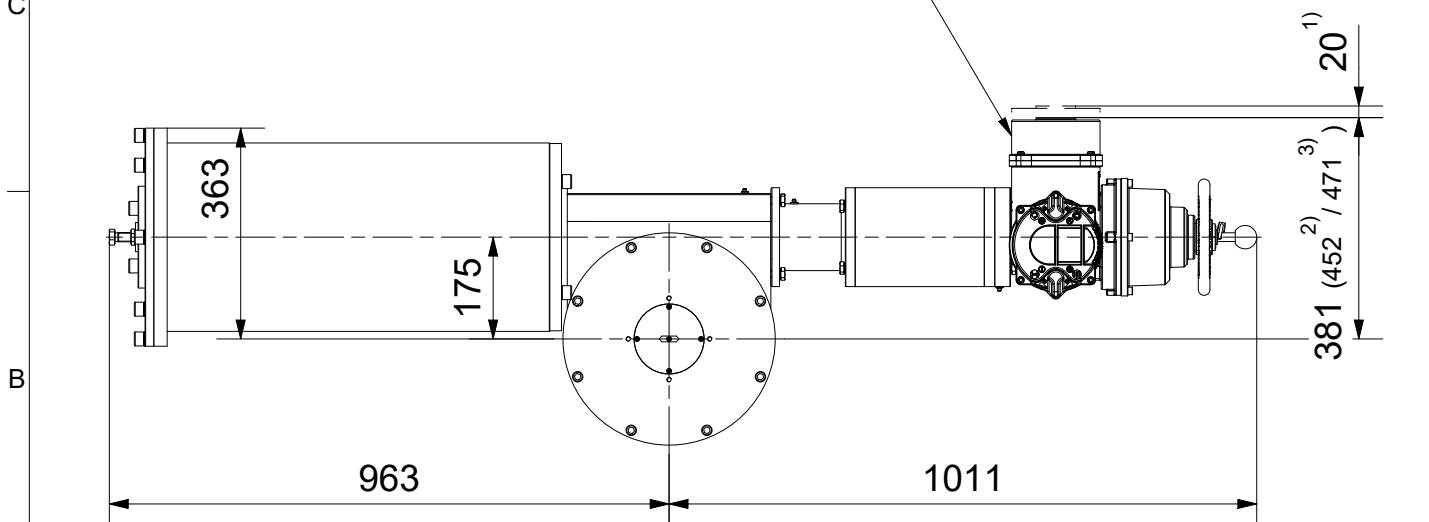


A-A (1 : 8)

Output Drive: F16, F25 acc. DIN5211



Screw plugs (cable gland) 1x M40x1,5; 1x M32x1,5; 1x M25x1,5



- 1) Space required for removing cover
- 2) for ex terminal box with bus connection "DP"
- 3) for 3 phase version "SDC480"

SCHIEBEL

Dimensions

All dimensions in mm

M-CM06FSQT500-07-4E

Actusafe 90° HA

CM03FSQT500 with handwheel, F16+F25
Type: Failsafe OPEN= ccw turning, 5000Nm

	Dated	Name
drawn	07.08.2018	KL
checked		

G:\Inventor\Antrieb+Getriebe\Failsafe\FSQT\CM06FSQT500\M-CM06FSQT500-07-4E.idw



4

3

2

1