

4

3

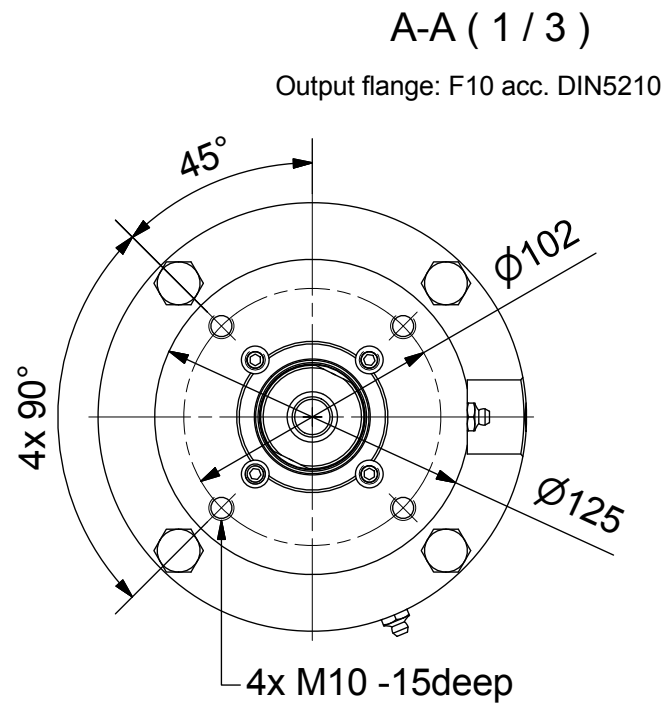
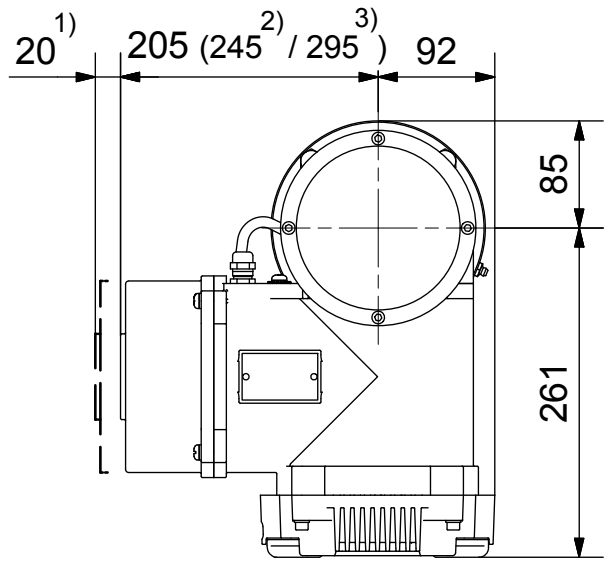
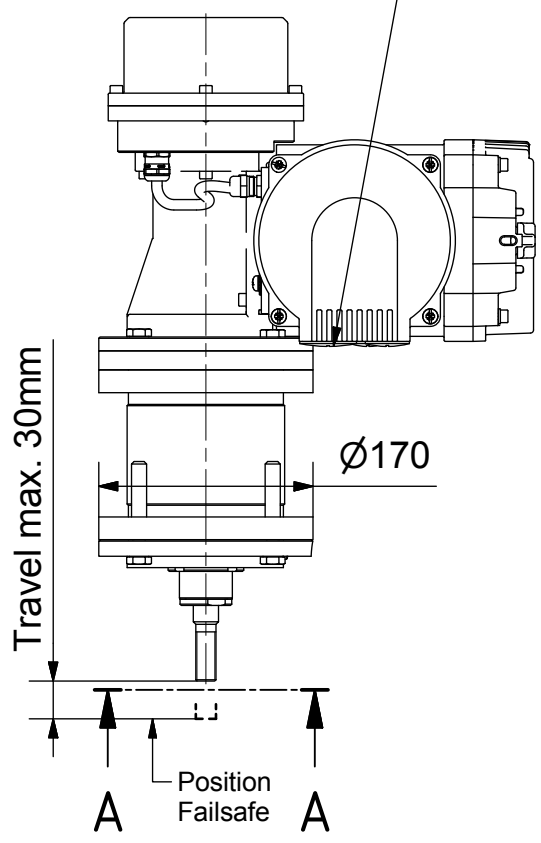
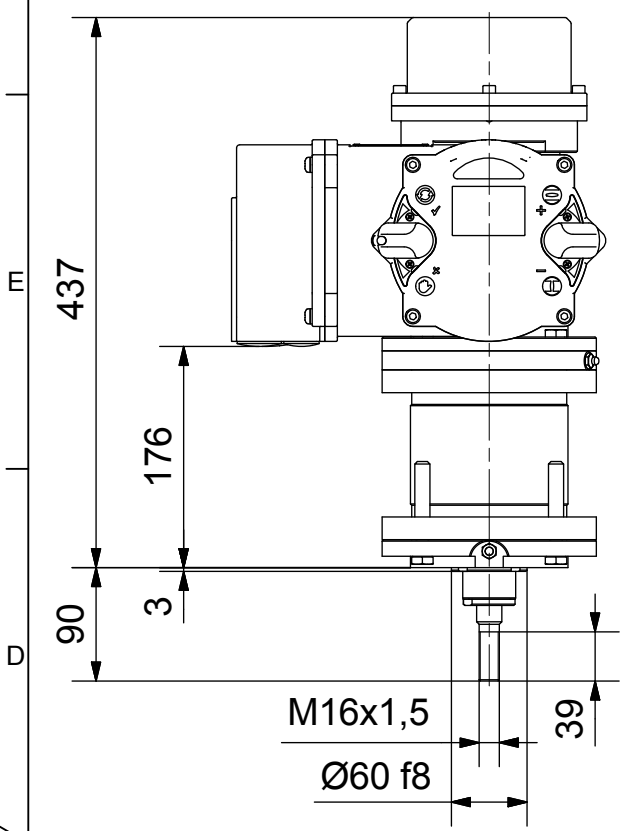
2

1

F

F

Screw plugs (cable gland): 1x M40x1,5; 1x M32x1,5; 1x M25x1,5



A-A (1 / 3)

Output flange: F10 acc. DIN5210

- 1) Space required for removing cover
- 2) for ex terminal box with bus connection "DP"
- 3) for 3 phase version "SDC480"

SCHIEBEL

Dimensions All dimensions in mm

Actusafe CM03FS30.5
 Type: extending, F10
 travel max. 30mm, force 5kN

M-CM03FS30_5-07E		
	Dated	Name
drawn	20.12.2016	H.Mayer
checked		



4

3

2

1

A

A