

4

3

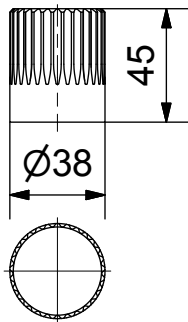
2

1

Coupling

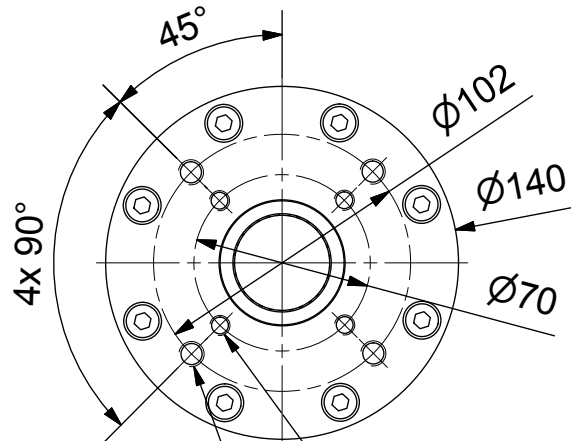
Parallelkey groove acc.to DIN6885

max.Ø25 / max.□22



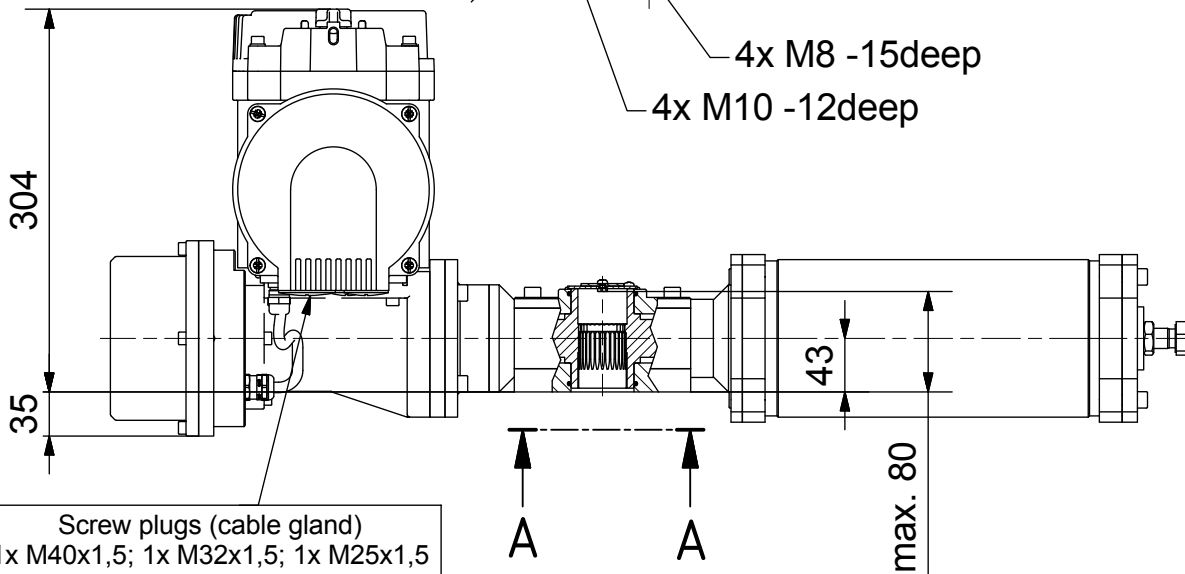
Output Drive: F07, F10 acc. EN ISO 5211

A-A (1 : 3)



4x M8 -15deep

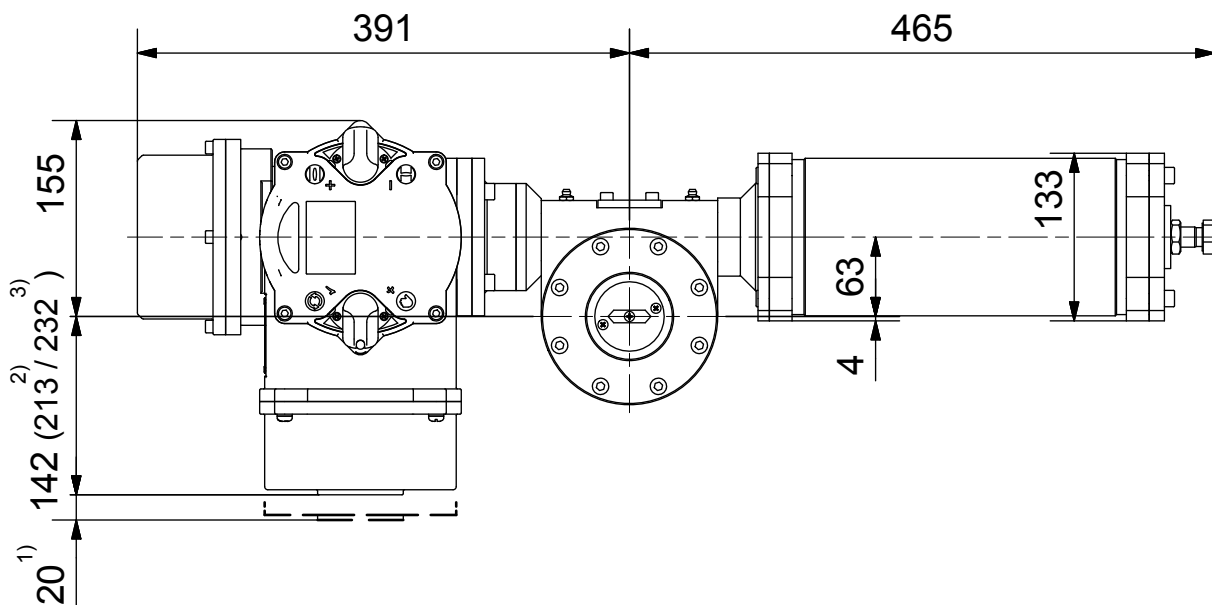
4x M10 -12deep

Screw plugs (cable gland)
1x M40x1,5; 1x M32x1,5; 1x M25x1,5

A

A

max. 80



391

465

155

20¹⁾
142 (213 / 232)³⁾

63

4

133

1) Space required for removing cover

2) for terminal box with bus connection "DP"

3) for 3 phase version "SDC480"

SCHIEBEL

Dimensions

All dimensions in mm

M-CM03FSQT30-10E

Actusafe 90°

CM03FSQT30 F07+F10

Type: Failsafe CLOSE= cw turning, max. 300Nm

Antriebstechnik
Gesellschaft m.b.H.
Josef Benc Gasse 4
A - 1230 Vienna

	Dated	Name
drawn	04.10.2016	H.Mayer
checked		

G:\Inventor\Failsafe\CMF\SQT\CM03FSQT30\M-CM03FSQT30-10E.idw



4

3

2

1