

4

3

2

1

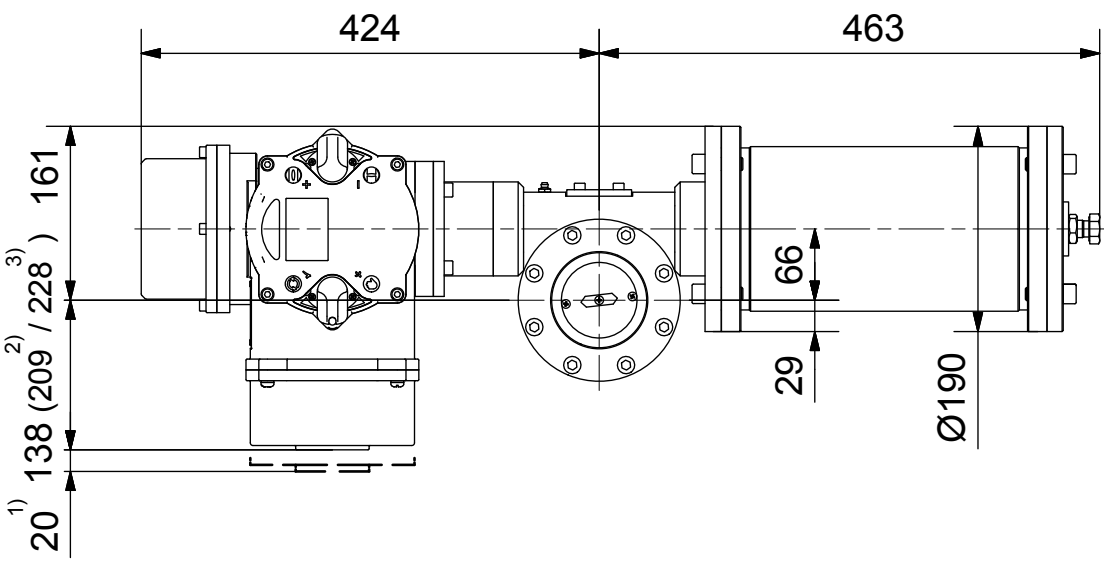
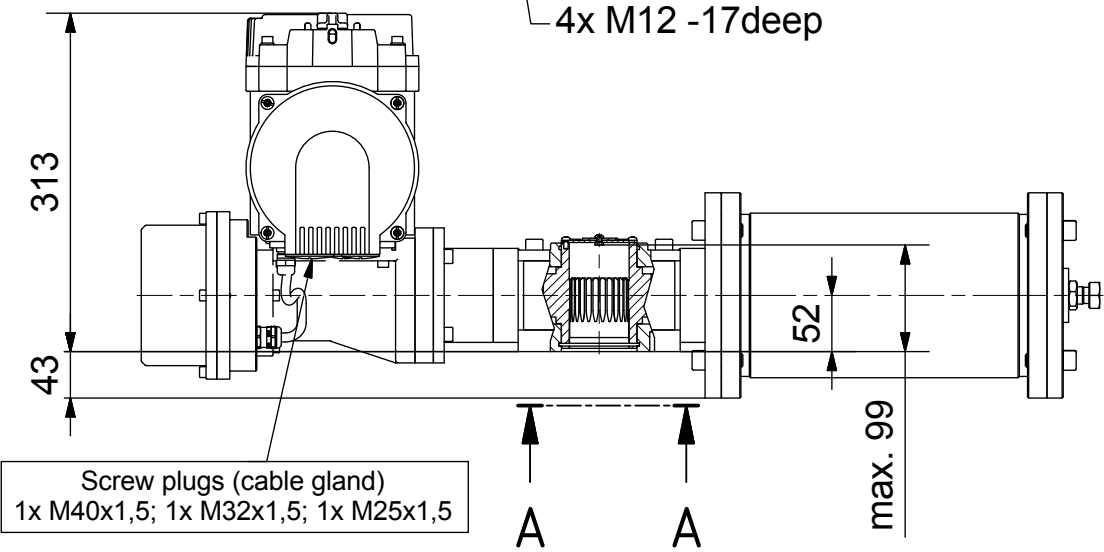
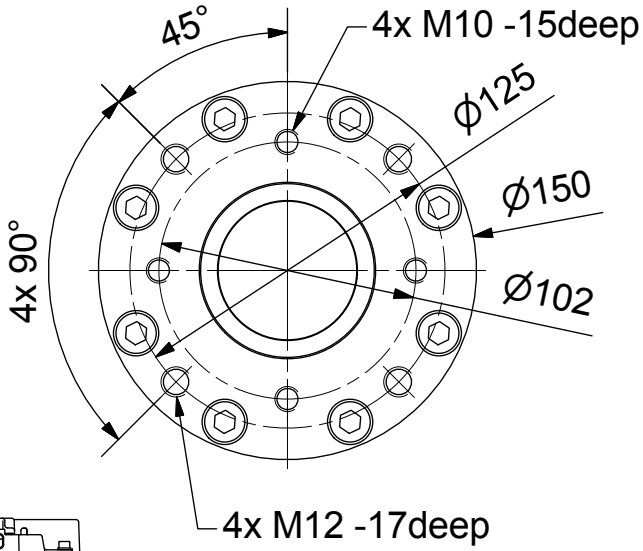
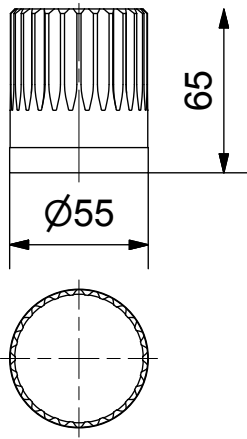
### Coupling

Parallelkey groove acc.to DIN6885

max.Ø40 / max.□32

A-A ( 1 : 3 )

Output Drive: F10, F12 acc. DIN5211



- 1) Space required for removing cover
- 2) for terminal box with bus connection "DP"
- 3) for 3 phase version "SDC480"

# SCHIEBEL

### Dimensions

All dimensions in mm

## M-CM03FSQT60-8E

## Actusafe 90°

### CM03FSQT60 F10+F12

Type: Failsafe CLOSE= cw turning, max. 600Nm

Antriebstechnik  
Gesellschaft m.b.H.  
Josef Benc Gasse 4  
A - 1230 Vienna

	Dated	Name
drawn	04.10.2016	H.Mayer
checked		



4

3

2

1