

4

3

2

1

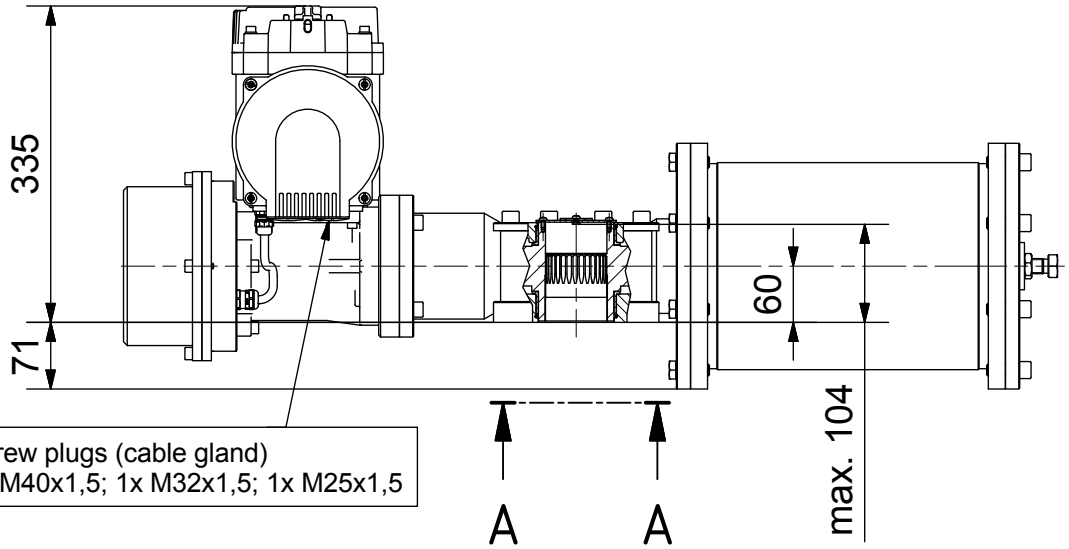
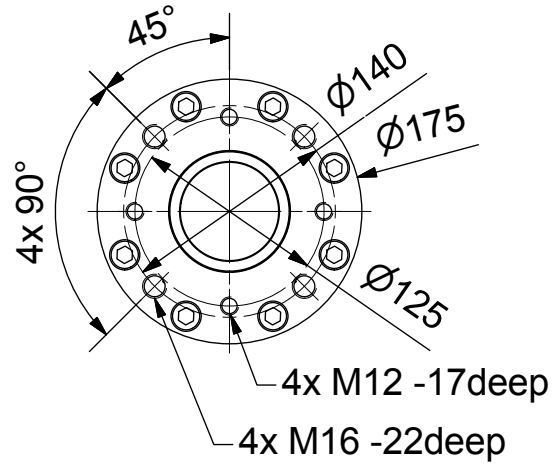
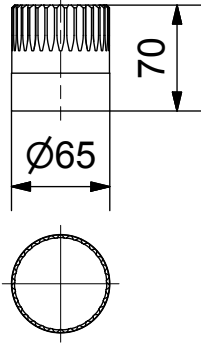
Coupling

Parallelkey groove acc.to DIN6885

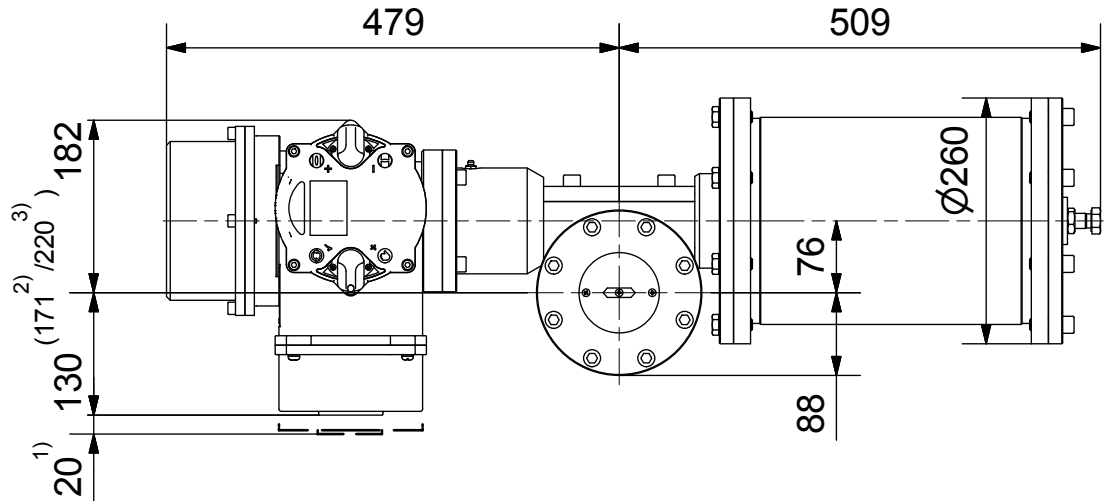
max.Ø49 / max.□41

Output Drive: F12, F14 acc. DIN5211

A-A (1 : 5)



Screw plugs (cable gland)
1x M40x1,5; 1x M32x1,5; 1x M25x1,5



- 1) Space required for removing cover
- 2) for ex terminal box with bus connection "DP"
- 3) for 3 phase version "SDC480"

SCHIEBEL

Dimensions

All dimensions in mm

M-CM06FSQT100-06E

Actusafe 90°

CM06FSQT100 F12+F14

Type: Failsafe CLOSE= cw turning, max. 1000Nm

Antriebstechnik
Gesellschaft m.b.H.
Josef Benc Gasse 4
A - 1230 Vienna

	Dated	Name
drawn	14.02.2017	H.Mayer
checked		



4

3

2

1