

4

3

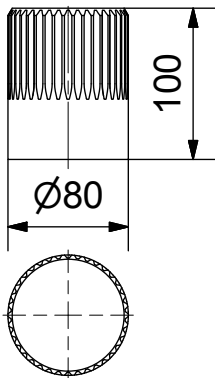
2

1

Coupling

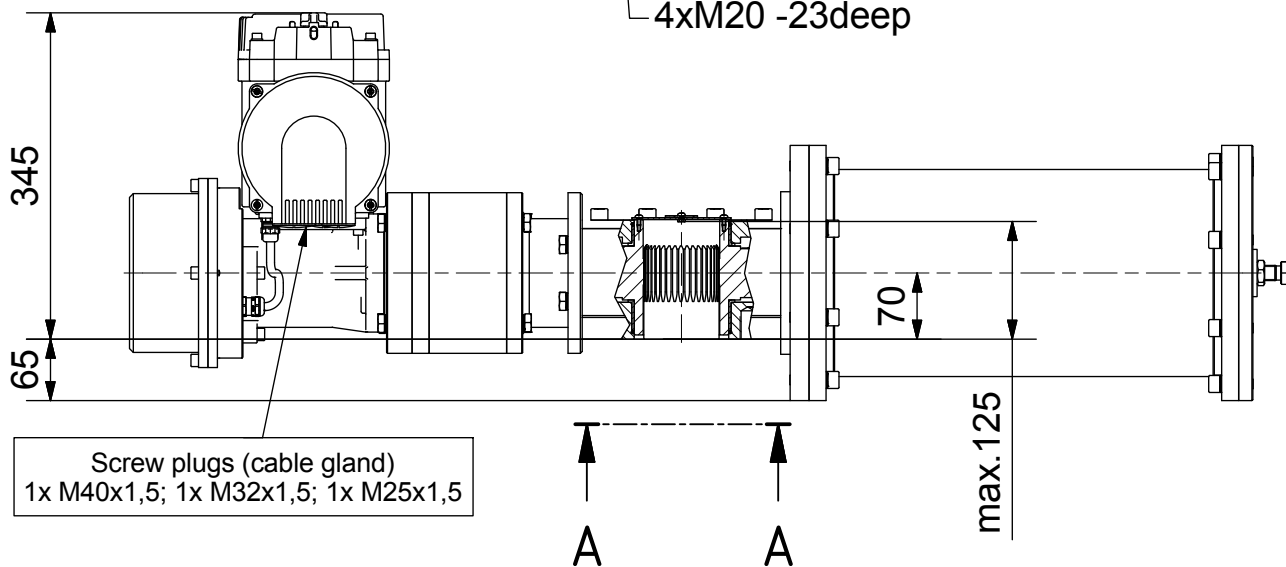
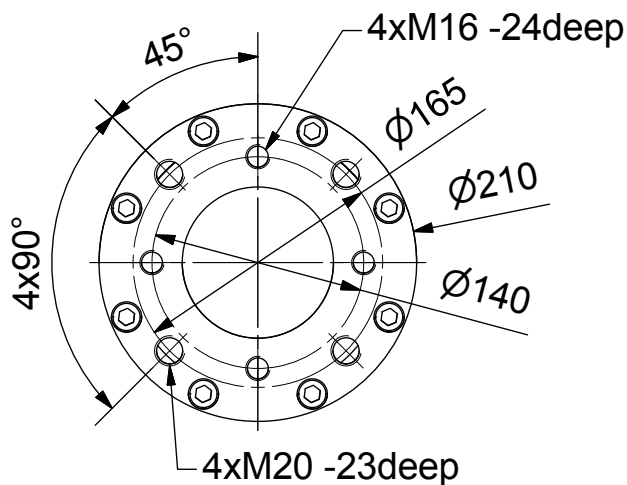
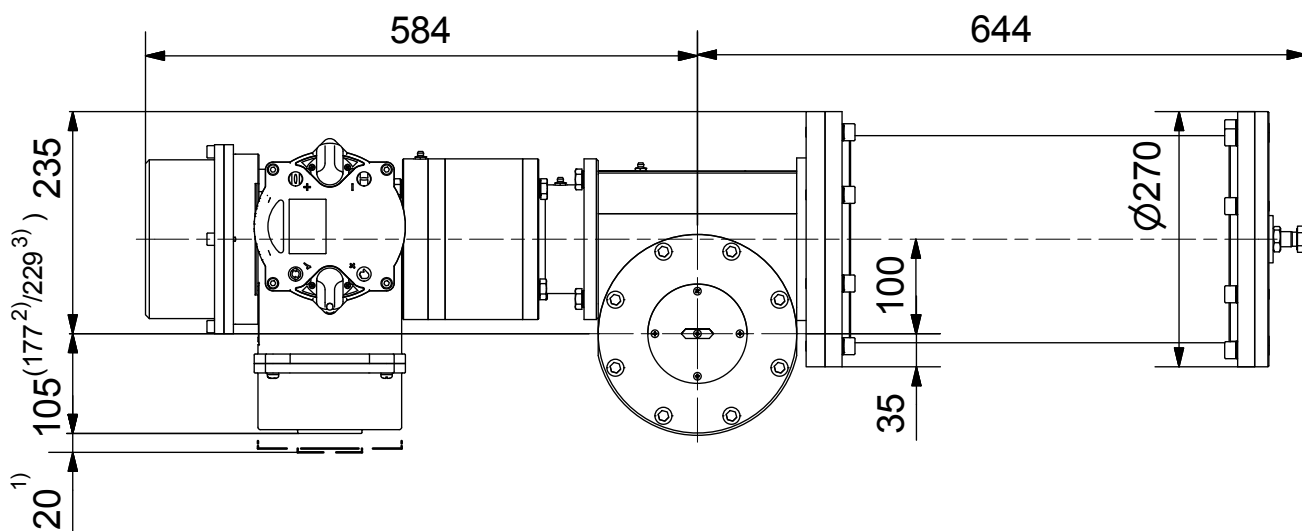
Parallelkey groove acc.to DIN6885

max.Ø60 / max.□48



Output Drive: F14, F16 acc. DIN5211

A-A (1 : 5)

Screw plugs (cable gland)
1x M40x1,5; 1x M32x1,5; 1x M25x1,5

1) Space required for removing cover

2) for terminal box with bus connection "DP"

3) for 3 phase version "SDC480"

SCHIEBEL

Dimensions

All dimensions in mm

M-CM06FSQT200-8E

Actusafe 90°

CM06FSQT200 F14+F16

Type: Failsafe CLOSE= cw turning, max. 2000Nm

Antriebstechnik
Gesellschaft m.b.H.
Josef Benc Gasse 4
A - 1230 Vienna

	Dated	Name
drawn	16.08.2016	H.Mayer
checked		

G:\Inventor\Failsafe\CMF\SQT\CM06FSQT200\M-CM06FSQT200-8E.idw



4

3

2

1